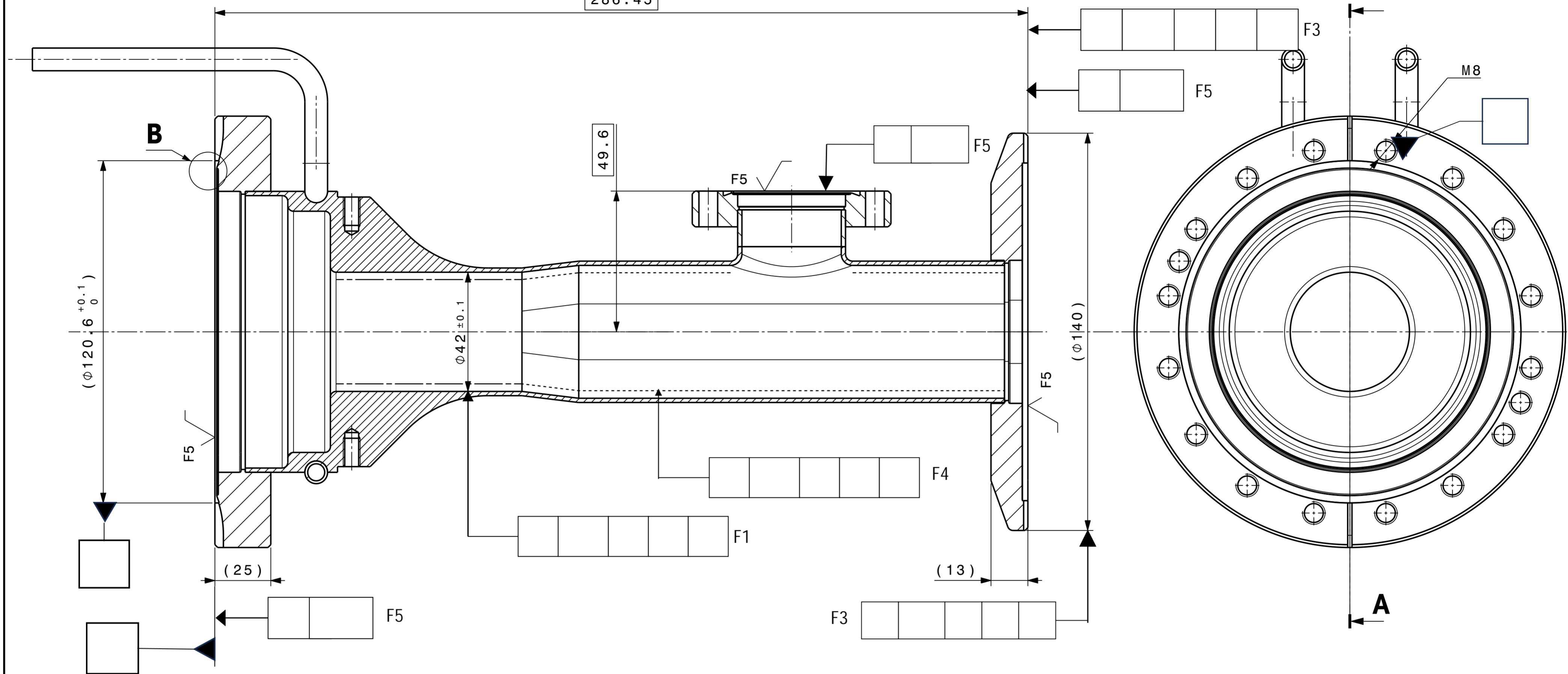
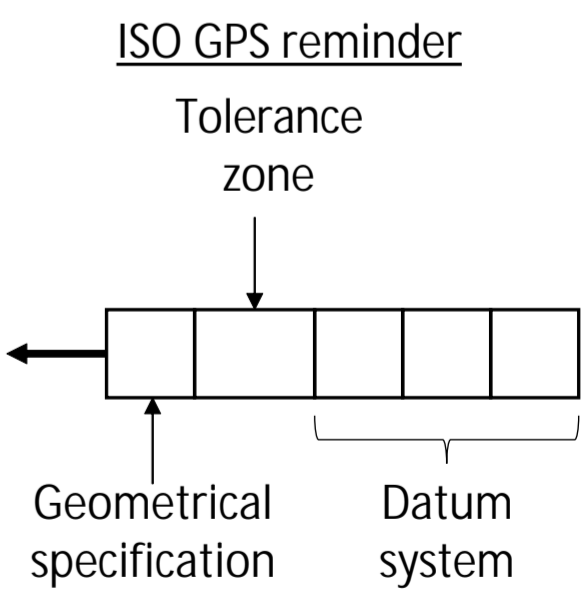
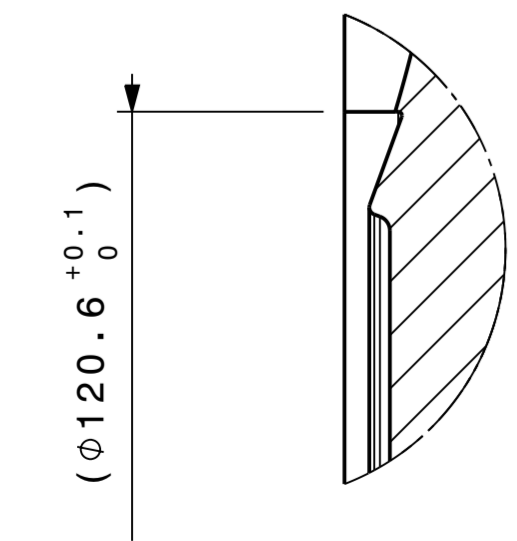


**A-A**

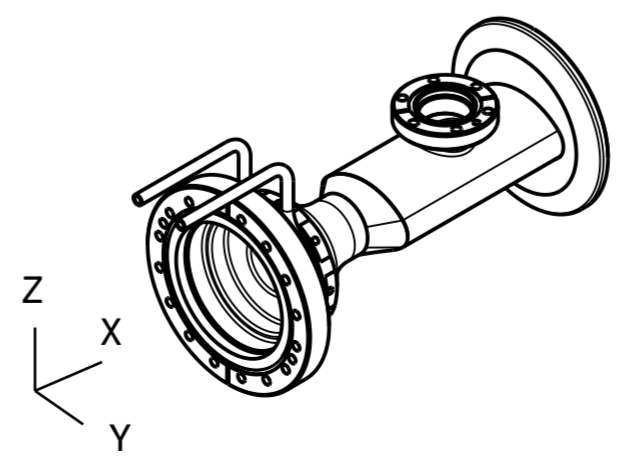
286.45



**B**  
**5:1**



	X	Y	Z	Rx	Ry	Rz
A						
B						
C						



MASS 5.14 kg	WHERE USED Not Applicable	(Last checked at 2024-05-16 12:43)	
DESIGNATION	Vacuum Chamber		DESIGNED M. TIMMINS
			CHECKED
			RELEASED
			APPROVED
EQUIPMENT CODE	DESIGNED 2024-05-16		FORMAT A2
REFERENCES	Doc No: ST1865212_06	INDEX	SCALE 1:1
CASME_002			NOT VALID FOR EXECUTION
			SHEET 1/1

ORGANISATION EUROPEENNE POUR LA RECHERCHE NUCLEAIRE  
EUROPEAN ORGANIZATION FOR NUCLEAR RESEARCH  
CERN

OR DRESSER NE POUVE ETRE UTILISE A DES FINS COMMERCIALES SANS AUTORISATION ECRITE  
THIS DRAWING MAY NOT BE USED FOR COMMERCIAL PURPOSES WITHOUT WRITTEN AUTHORIZATION