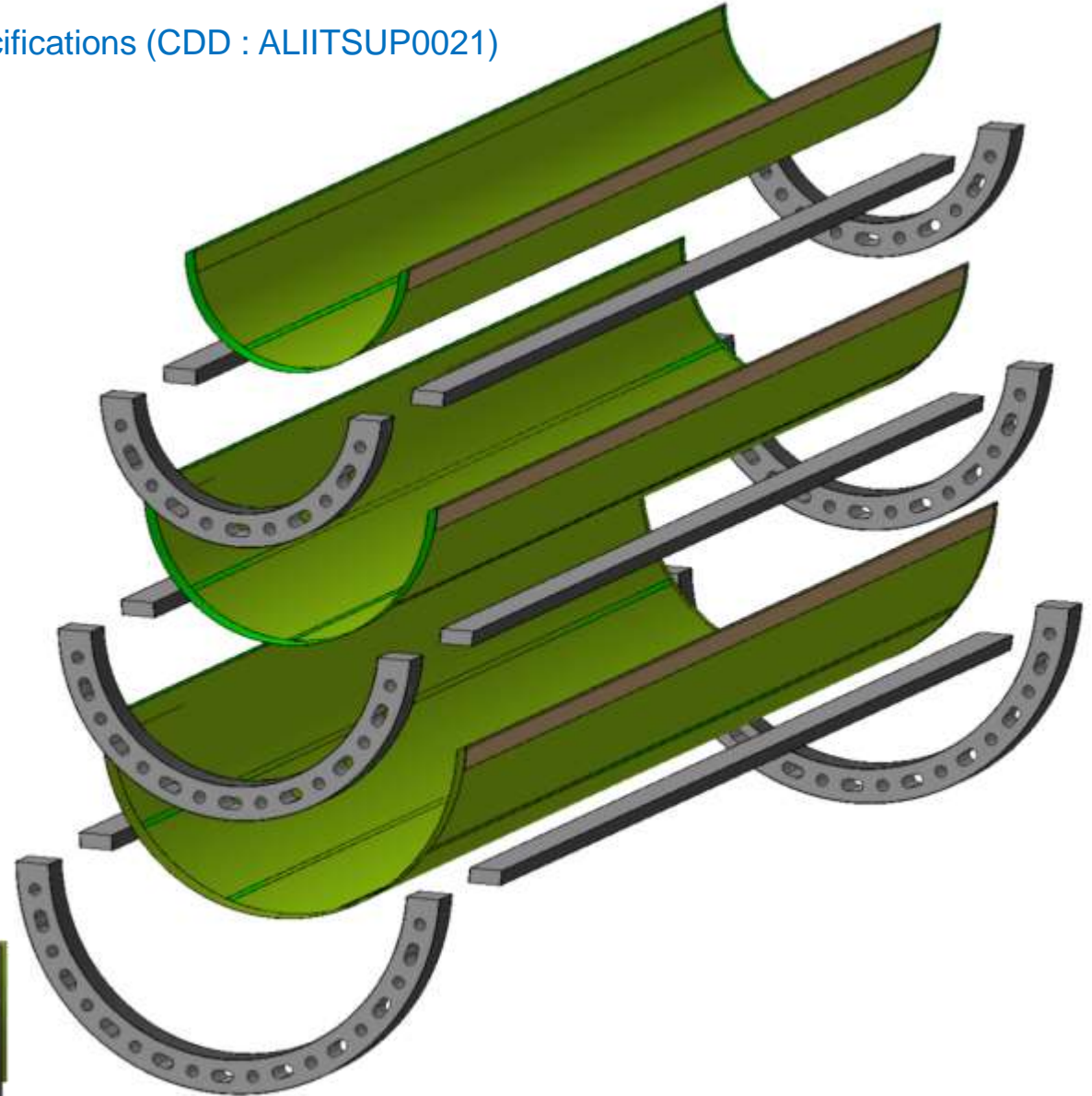
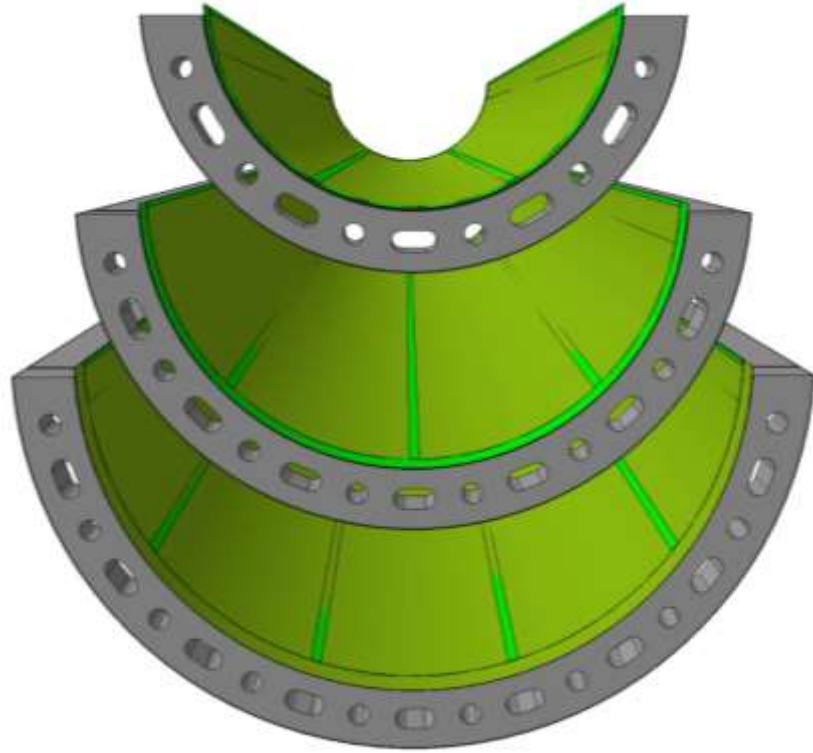


ITS3 update

Layout updated with bigger diameters and shorter chips, following TDR specifications (CDD : ALIITSUP0021)

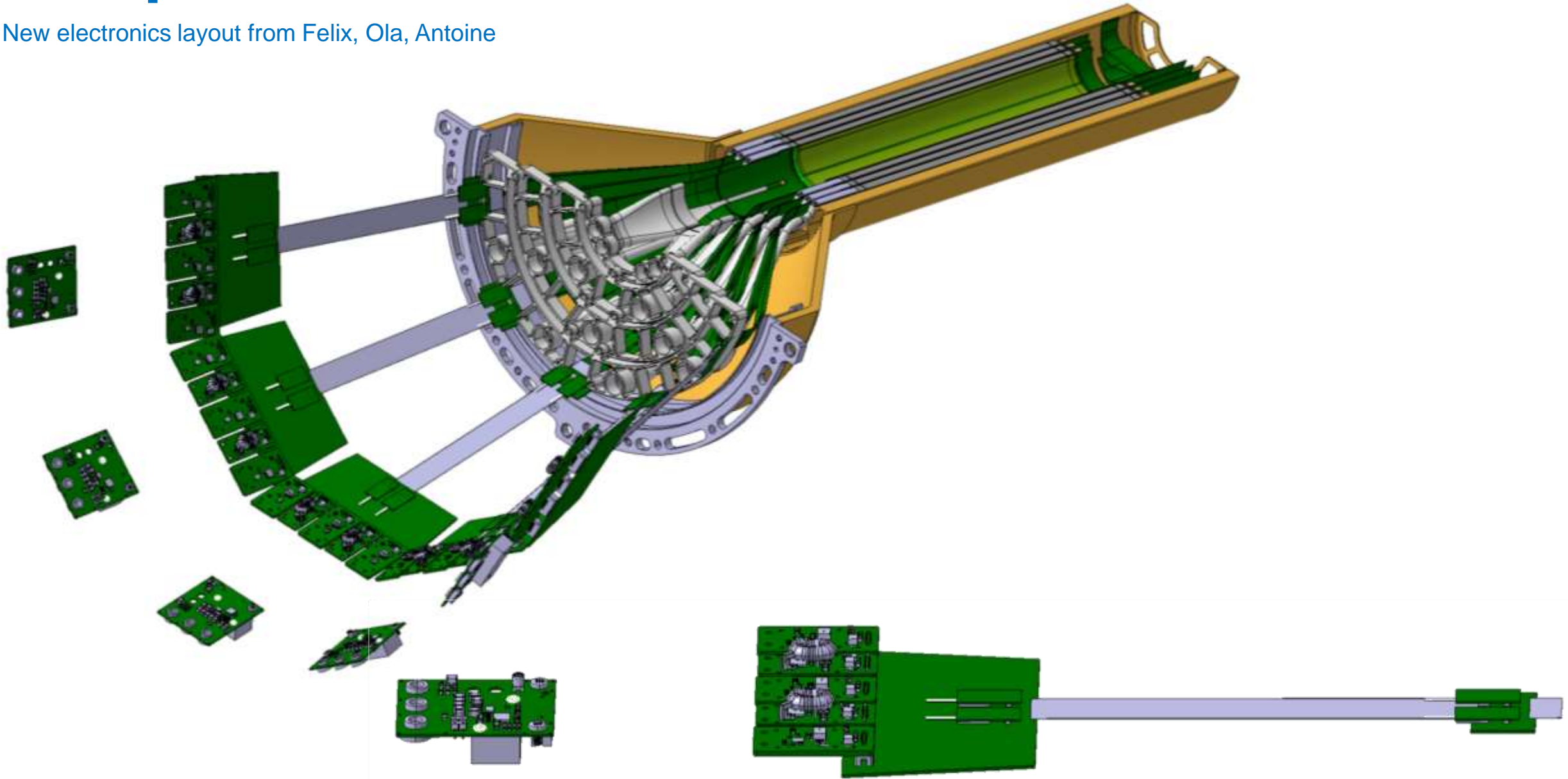
Half rings design evolution for a better air flow on specific aera of the chips

Manufacturing test of 3,5mm thick half rings



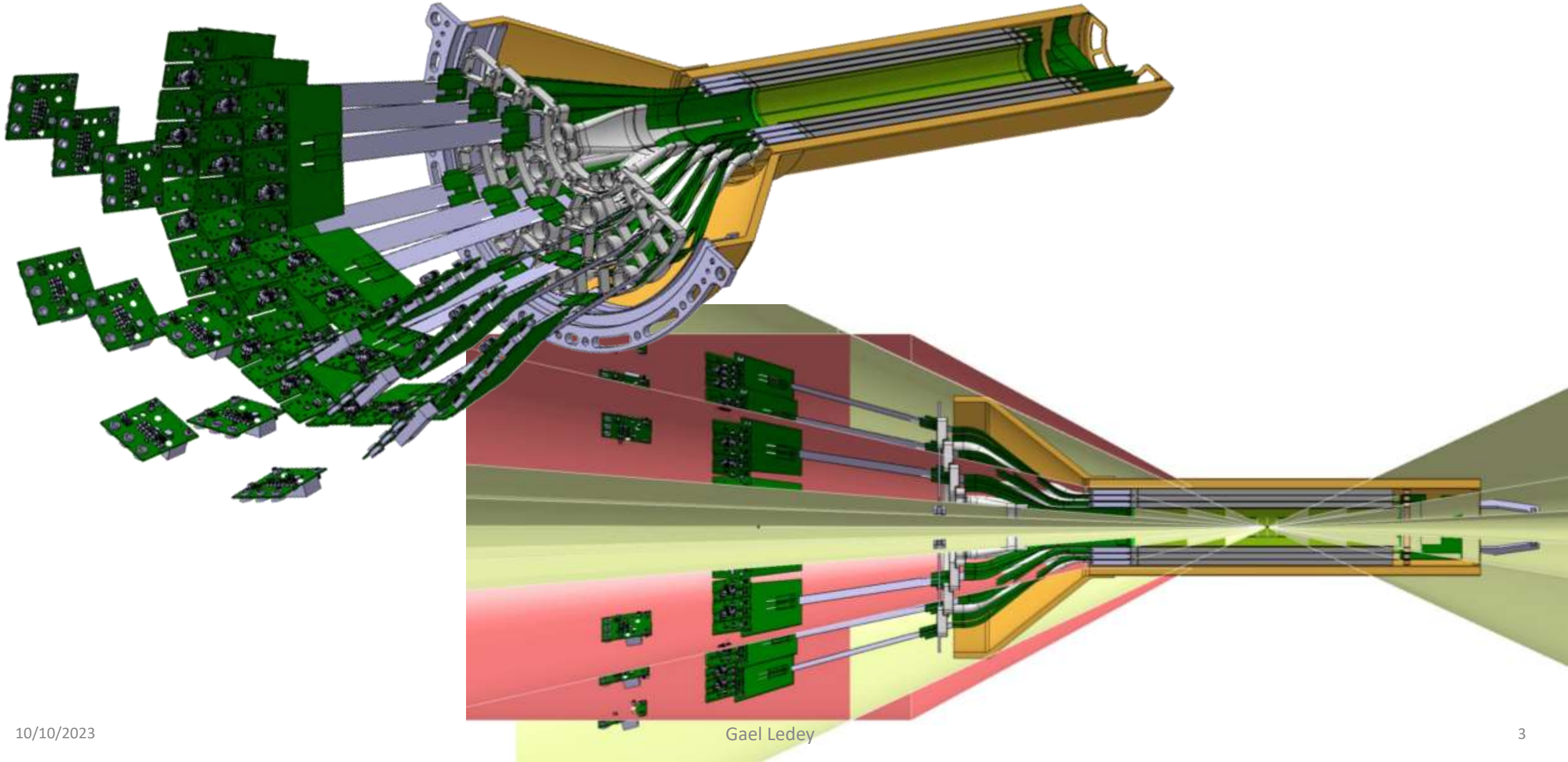
ITS3 update

New electronics layout from Felix, Ola, Antoine



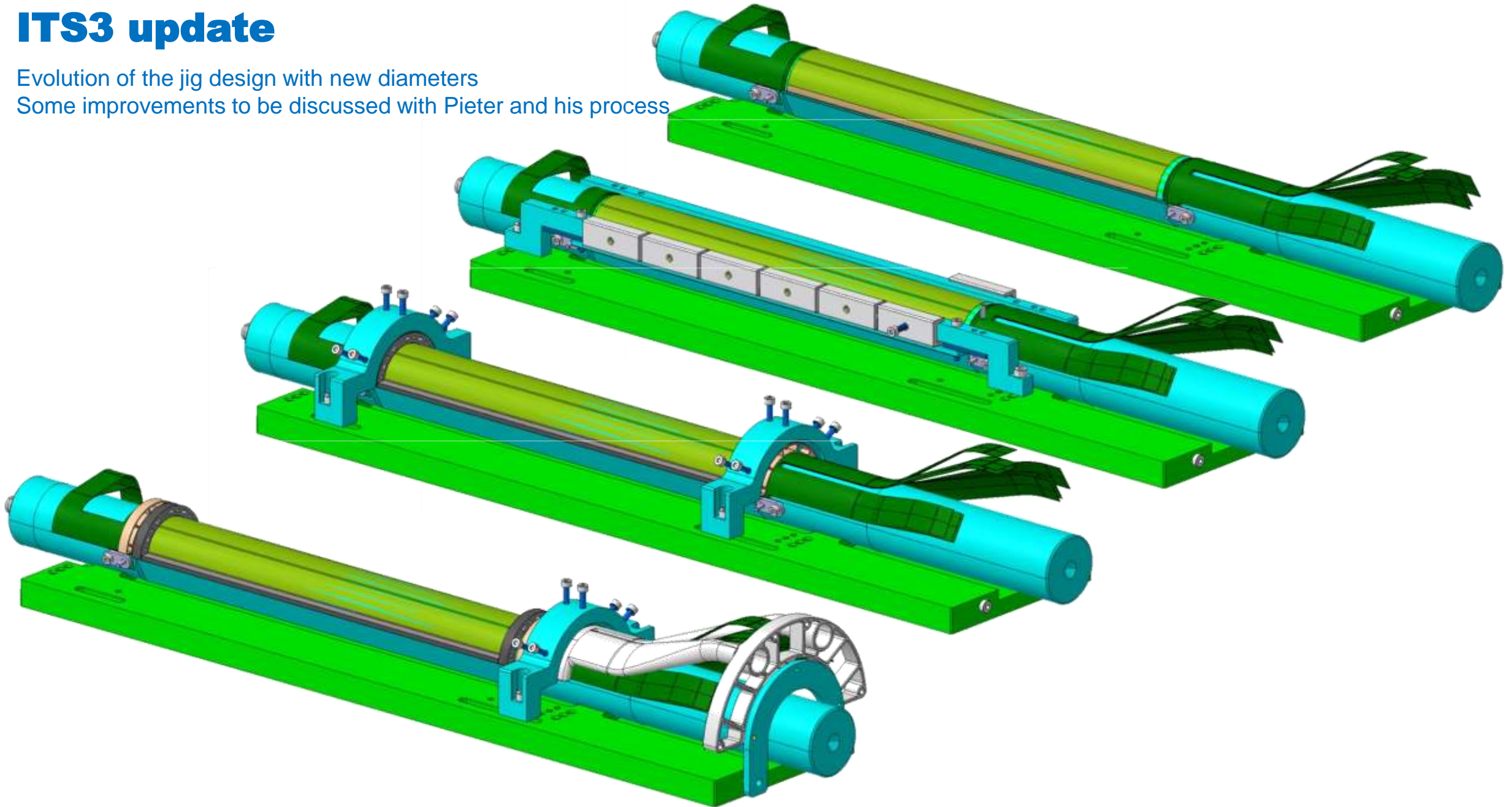
ITS3 update

This first sketch will change to fit in ITS2 volume and acceptance cone



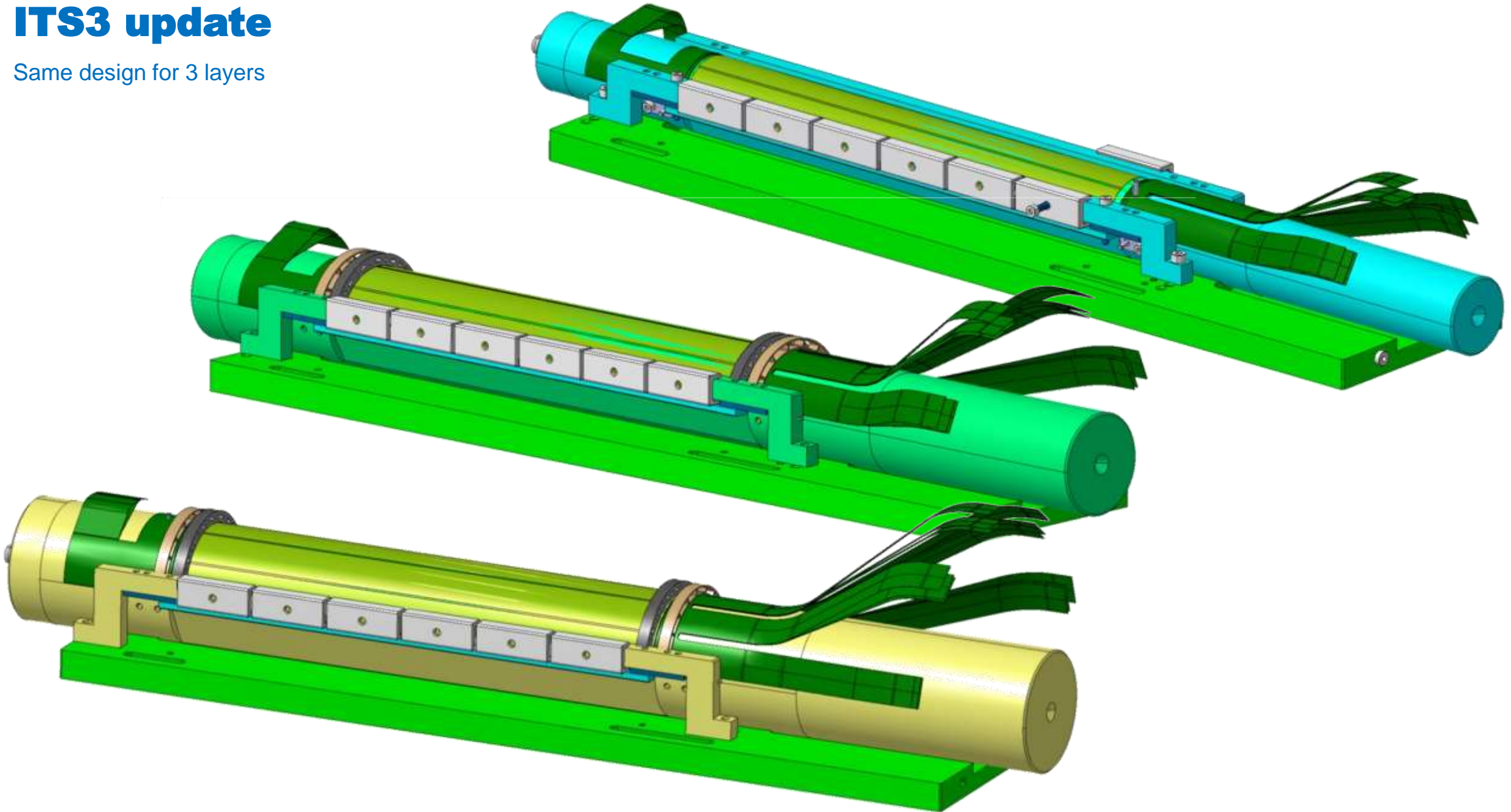
ITS3 update

Evolution of the jig design with new diameters
Some improvements to be discussed with Pieter and his process



ITS3 update

Same design for 3 layers



ITS3 update

Working on different ideas for installation

Trying different concepts that must be compatible with today detectors and trying to improve the process we did for ITS2

