

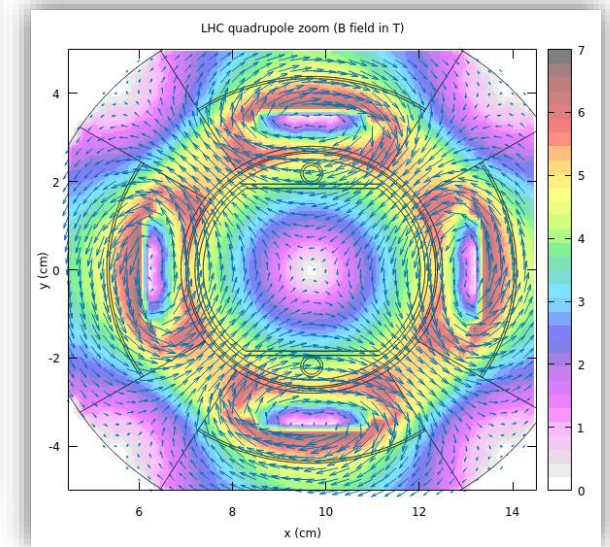
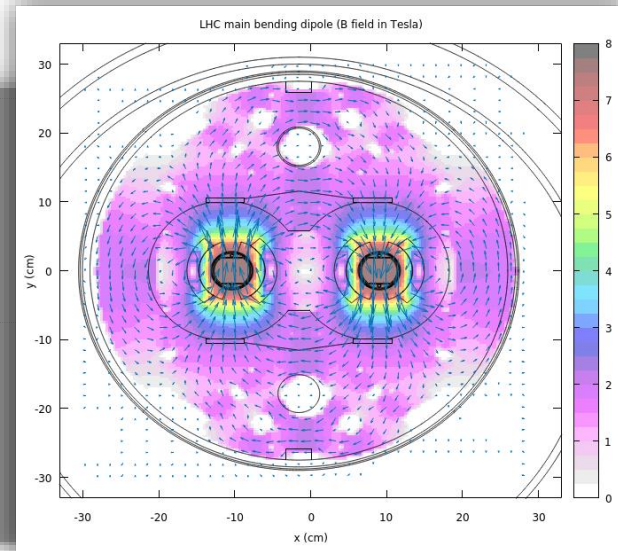
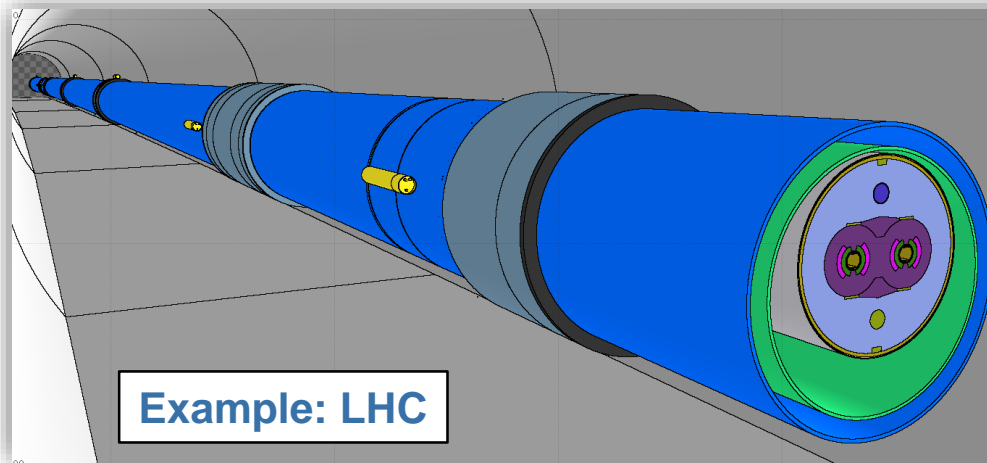


# Magnetic and electric fields

How to define basic fields and adjust transport settings

# Introduction

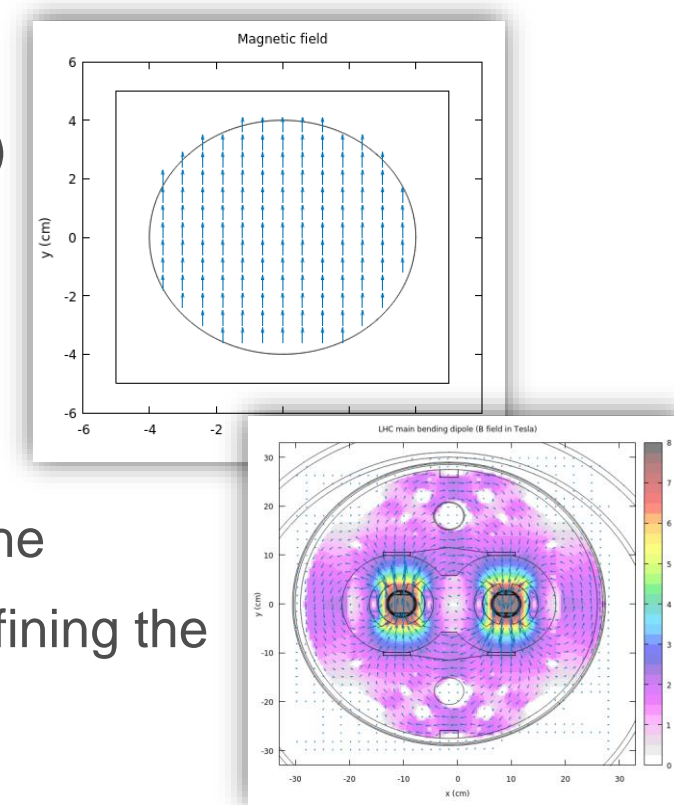
- Magnetic and/or electric fields are crucial for many simulation problems
  - Accelerator magnets, transfer line magnets, solenoids, spectrometers, magnetic horns, ...



- FLUKA supports the transport of charged particles in *arbitrary* static B and E fields (the latter since FLUKA 4-0.0)
  - This lecture gives a basic introduction how to define fields and presents the relevant transport parameters

# Magnetic and electric fields in FLUKA

- Fields are activated on a per-region basis
  - **Magnetic fields** can be defined **in any region** (filled with any material)
  - **Electric fields** can presently be defined **only in vacuum regions**
  - A region can contain **only one type of field** (magnetic or electric)
- How to define magnetic or electric fields
  - Common (e.g. dipole up to decapole) fields can directly be defined in the **input file** using the **ELCFIELD**, **MGNFIELD** and **MGNCREATE** cards defining the type of field as well as field strength, region association, symmetry, ...
- Transport settings
  - **Particle transport** in the presence of fields entails **some approximations** (true trajectory is decomposed in small straight-line steps)
  - Attention has to be paid to choose adequate transport settings according to your application



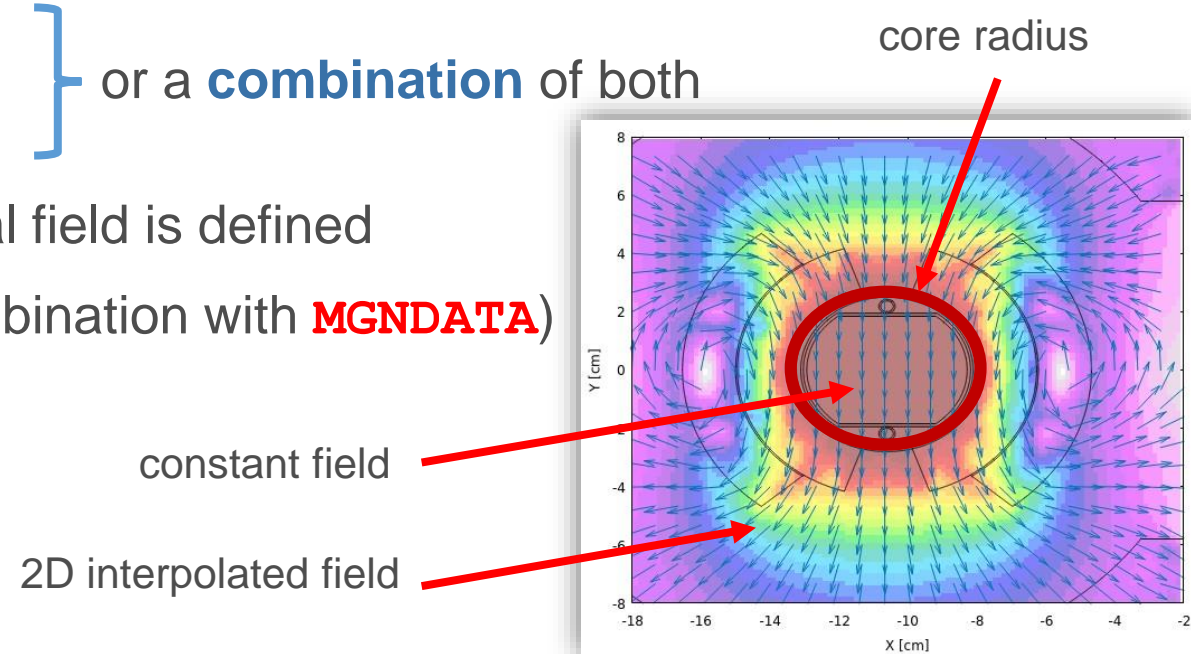
# The relevant cards

- Fields need to be activated in the respective regions using the **ASSIGNMA** card
- The field components can be specified different ways:
  - a) For homogeneous fields: using the **MGNFIELD** or **ELCFIELD** cards\*
  - b) For common magnetic analytical fields and field maps: using **MGNFIELD** in combination with **MGNCREATE** (+ **MGNDATA** for interpolated fields)
  - c) For arbitrary fields: using dedicated user routines (see `src/user/magfld.f` and `src/user/elcfld.f`) if more complex fields need to be implemented
- The transport settings for particles moving in a field can be defined as follows:
  - Globally for all regions via the **MGNFIELD** or **ELCFIELD** cards.
  - On a region-by-region basis via the **STEPSIZE** card (overwrites global settings for these regions).

\* in that case the defined magnetic or electric field is applied in all regions where magnetic or electric fields have been activated via **ASSIGNMA**)

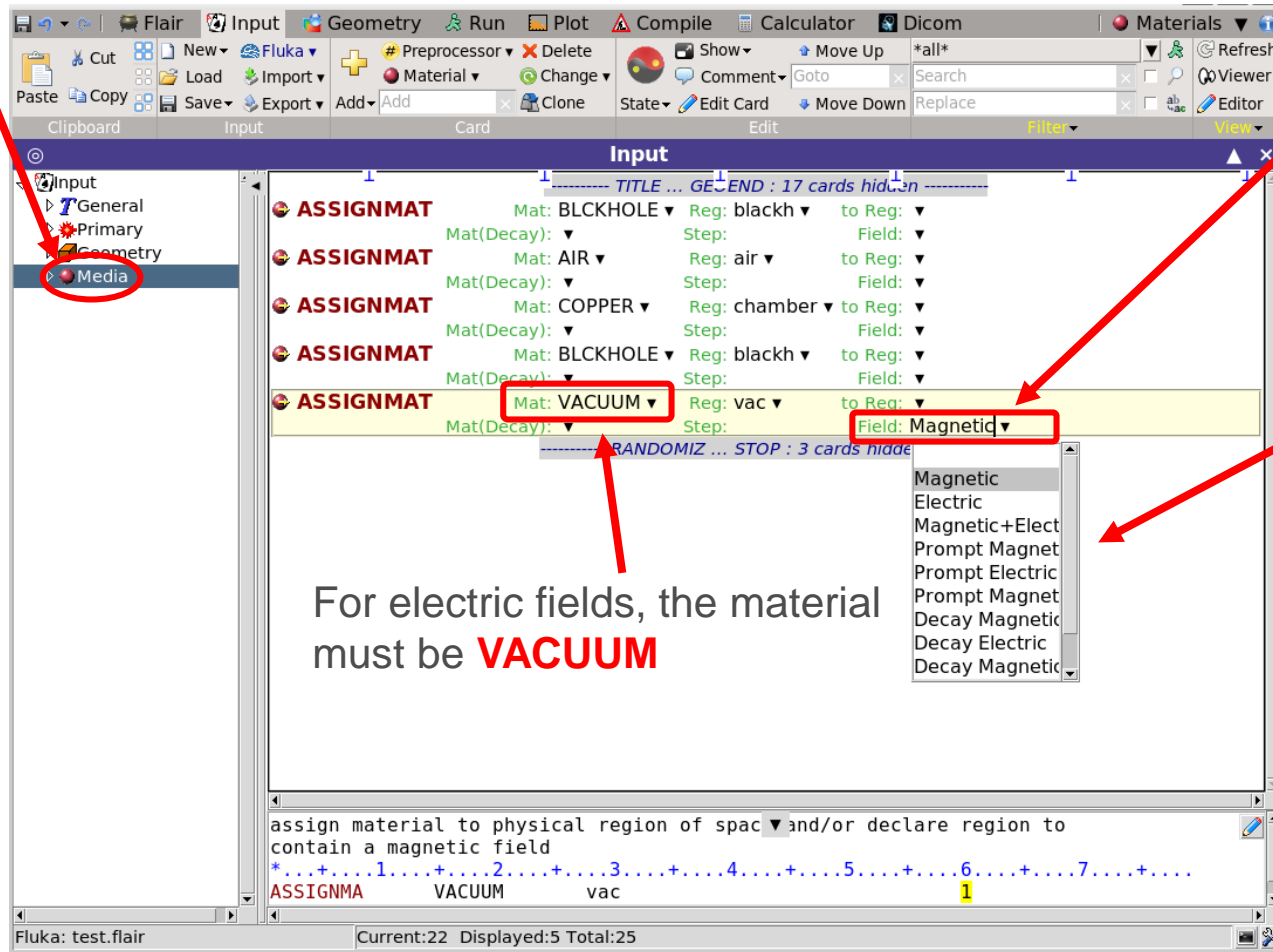
# The relevant cards: common fields

- For common fields, the **MGNFIELD** card is used
  - to set the field **strength**
  - to apply a **transformation** or associate the field to a **region** (or several) or to a **lattice**
- In combination with the **MGNFIELD** card, the **MGNCREATE** card defines
  - the field **type**, which can be
    - **analytical**: constant, dipole, quadrupole, ...
    - **interpolated**: in 2D or 3D field } or a **combination** of both
  - the **radius** of the core region where an analytical field is defined
  - grid parameters for the interpolated field (in combination with **MGNDATA**)
  - (mirror symmetries if applicable)



# Activating a field inside a region

Select the **Media** section



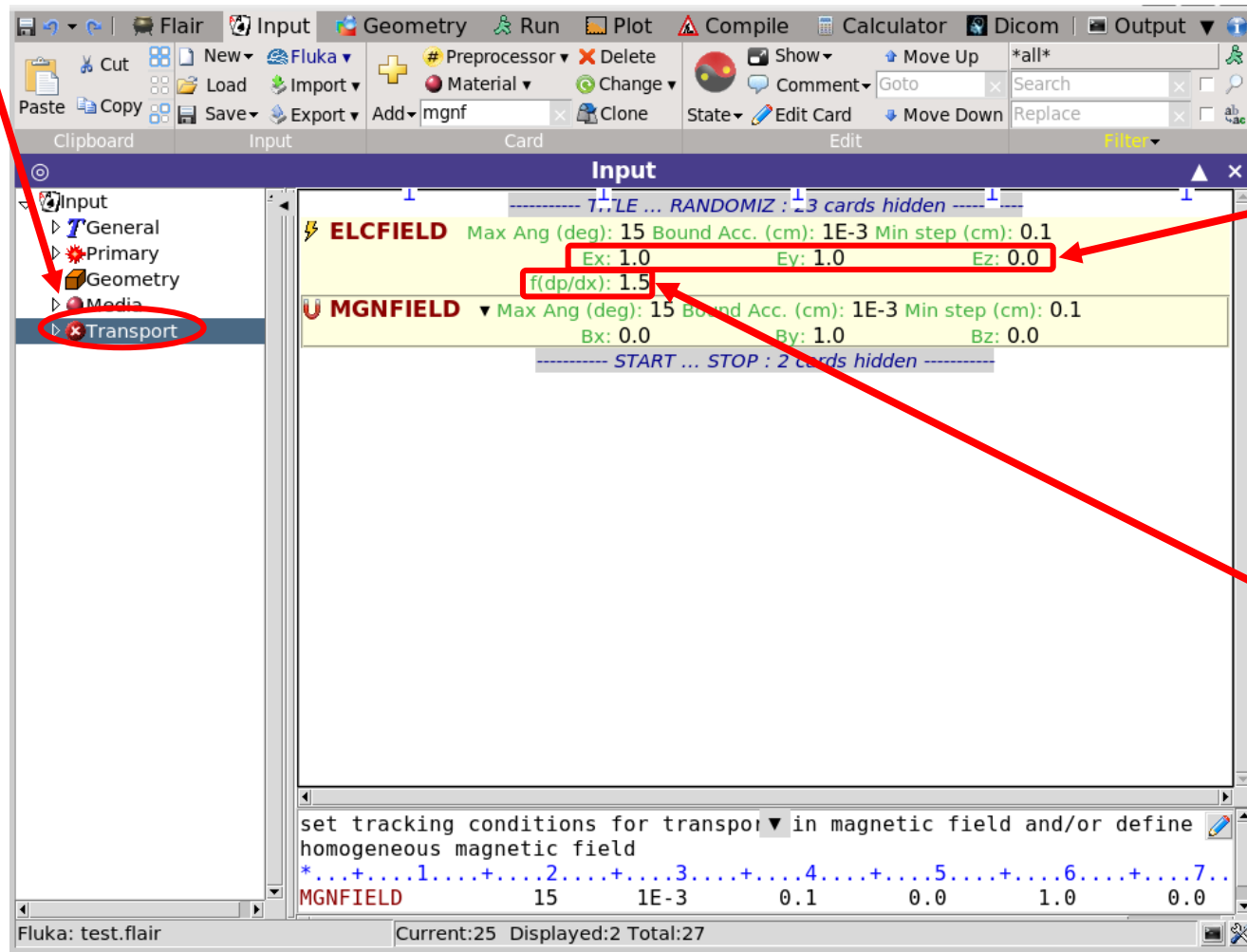
Fields are activated on the **ASSIGNMA** card (under the option “**Field**”)

Use the drop-down list to activate an electric **or** magnetic field in all regions listed on **ASSIGNMA**

- The option to activate both types of fields in the same region is shown in Flair but is presently not implemented in FLUKA
- The first two options activate a magnetic or electric field both for prompt and decay radiation
- One can however also selectively switch on a field for either of the two (prompt or decay)

# Setting the components of a homogeneous E field

Select the **Transport** section



The Cartesian components of a uniform *electric* field can be set on the **ELCFIELD** card (variables Ex, Ey, Ez)  
Units: **kV/cm**

In case no values are specified (or all components are set to zero) a user-defined routine is expected to deliver the values.

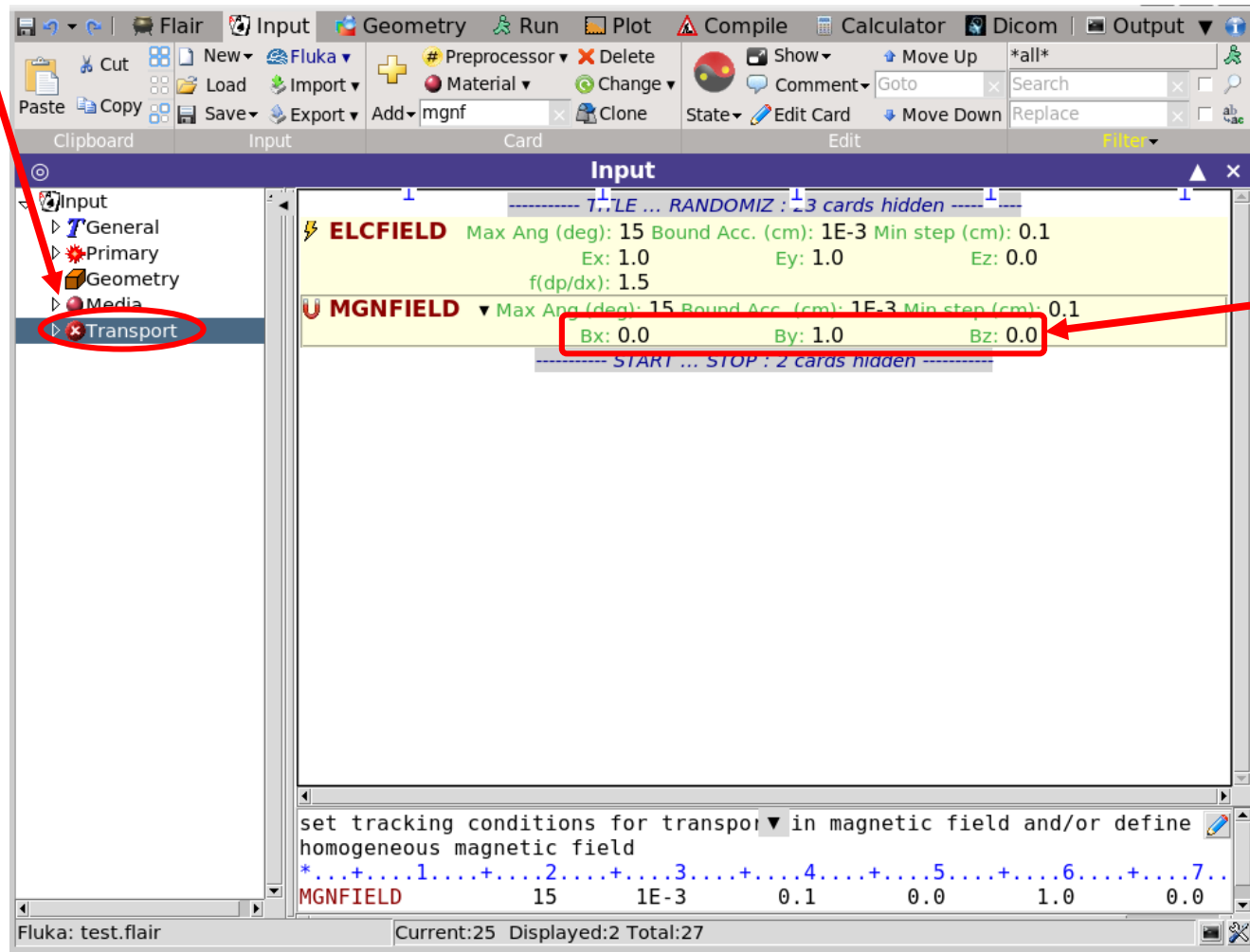
In general, cross section tables are created up to the beam energy (BEAM card).

However, charged particles travelling in electric fields can gain energy: this can result in the special case that particles reach higher energies than the beam energy.

**f(dp/dx)** is a factor to extend the upper dp/dx tabulation for charged particles.

# Setting the components of a homogeneous B field

Select the **Transport** section



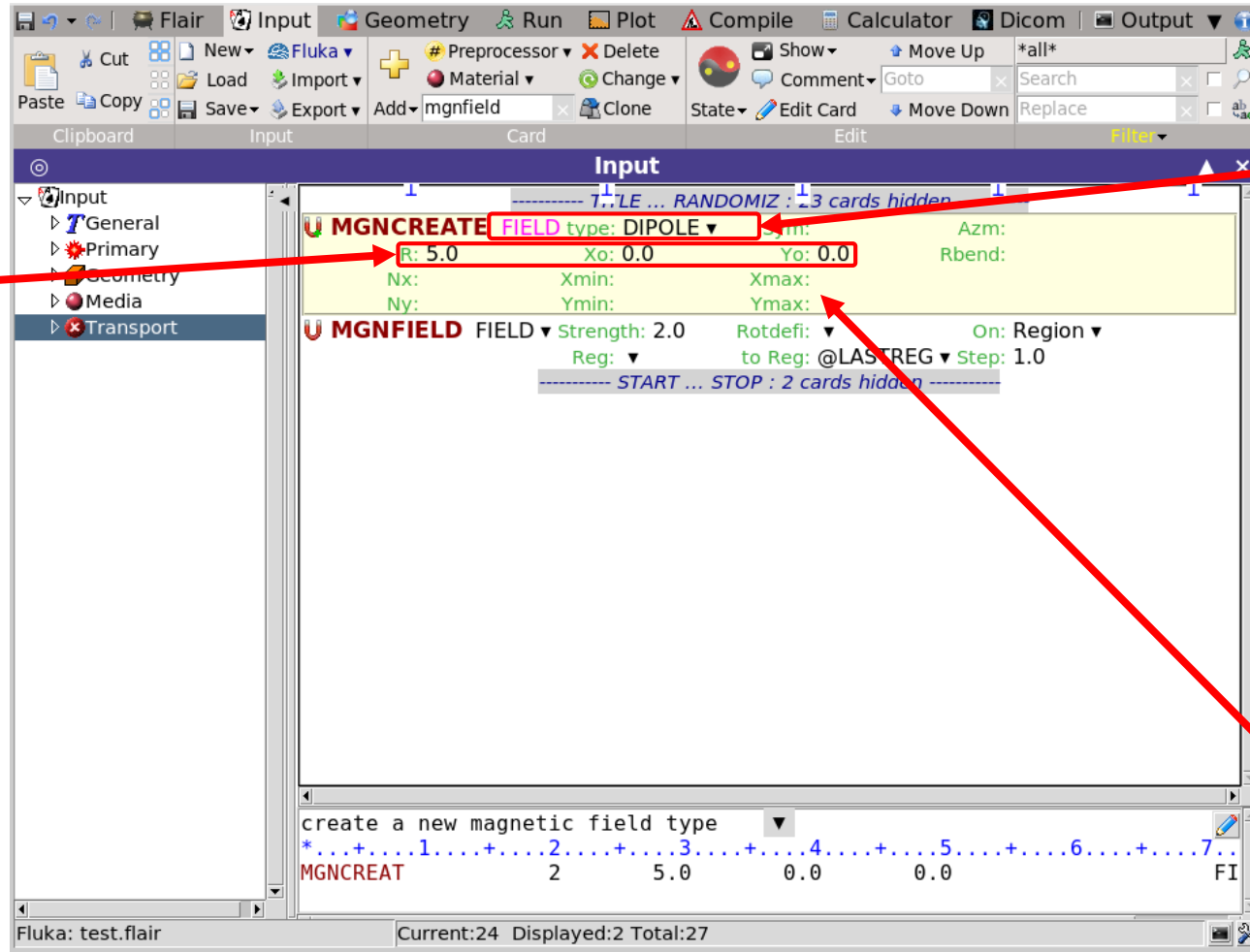
**SDUM = BLANK**

The Cartesian components of a uniform *magnetic* field can be set on the **MGNFIELD** card (variables Bx, By, Bz)  
Units: **Tesla**

In case no values are specified (or all components are set to zero) a user-defined routine is expected to deliver the values.



# Setting the components of a common B field



Core radius  
of analytical  
field and  
center offset  
in X and Y

**MGNCREATE**: creation of a **dipole** field called "Field". Other options are:

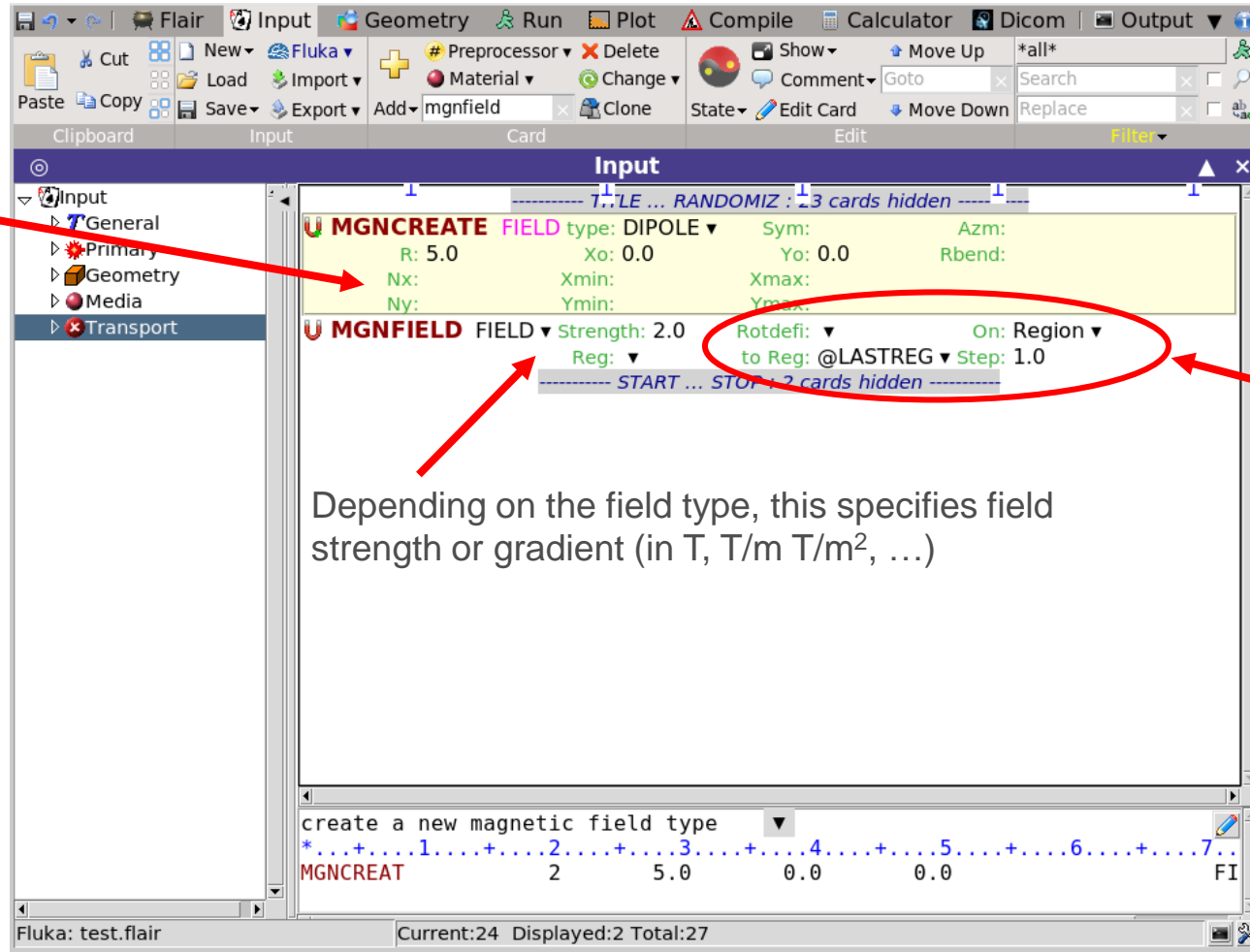
- Constant
- Multipole (quadrupole up to decapole)
- RZ (cylindrical)
- 2D interpolated field
- 2D + analytical field
- 3D interpolated field
- 3D + analytical field

Grid parameters for interpolated field (using **MGNDATA** cards) in case it is used

(Not shown: symmetry options)

# Setting the components of a common B field

SDUM entry links to right **MGNCREATE** card



Depending on the field type, this specifies field strength or gradient (in T, T/m T/m<sup>2</sup>, ...)

**SDUM** = field name defined by **MGNCREATE** card

**MGNFIELD** card associates a specific magnetic field on a **region-by-region** basis OR with a **lattice** cell through a **ROTDEFI** which maps either prototype or container coordinates on magnetic field system coordinates.

Regions are automatically flagged as magnetic (no need for **ASSIGNMAT** card)

# Setting the components of a common B field

To use interpolated maps the type can be set to include "2D" or "3D"

The screenshot shows the Fluka input editor with the following cards:

```

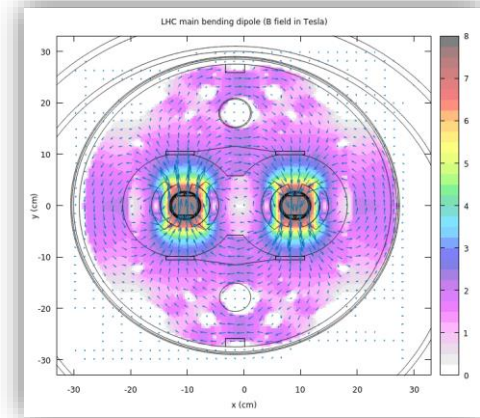
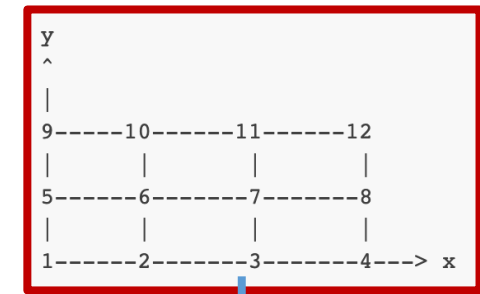
MGNCREATE FIELD type 2D+DIPOLE Sym: Azm:
R: 5.0 Xo: 0.0 Yo: 0.0 Rbend:
Nx: Xmin: Xmax:
Ny: Ymin: Ymax:
MGNFIELD FIELD Strength: 2.0 Rotdefi: On: Region
Reg: to Reg: @LASTREG Step: 1.0
MGNDATA FIELD Bx: 0.0 By: 2.0 Bz: 0.0
MGNDATA FIELD Bx: 0.0 By: 2.0 Bz: 0.0
MGNDATA FIELD Bx: 0.0 By: 2.0 Bz: 0.0
    
```

Below the cards, the text reads: "define data for interpolated magneti field type" followed by a sequence of MGNDATA cards with values 0.0, 2.0, 0.0.

Link to the magnetic field defined using **MGNCREATE**

One **MGNDATA** card to define each grid point in sequence (in this example a constant field along Y-axis)

**MGNDATA** cards allow the user to input the values of the field in the interpolation grid described via the **MGNCREATE** card. One such card should be provided per grid point in the order as shown below, to describe more complex fields\*:



\* For RZ interpolation, same as above replacing  $X \leftrightarrow R$  and  $Y \leftrightarrow Z$ , for 3D interpolation, same as for 2D plane by plane for each Z slice.

# Plotting the field

Step 2: add a **Geometry** plot

Step 1: select the **Plot** tab

Step 4: select **Field** (or **Field Vector**, or **Field Intensity**)

The screenshot shows the FLUKA software interface with the **Plot** tab selected. The plot configuration is as follows:

- Title:** Magnetic field
- Display:** 0
- Center:** x: 0, y: 0, z: 0
- Basis:** X:Y
- Extends:** Δu: 6, Δv: 6
- Plot Type:** Field Vector
- Run:** <default>
- Advanced Options:** Grid (Nu: 100, Nv: 100), Vector Scale: 0.5, Plot Coordinates: X-Y, boundaries and labels checked.

The plot shows a circular region with vertical field vectors. The axes are labeled x (cm) and y (cm), ranging from -6 to 6.

For the moment only B fields can be plotted (not yet E fields)

Step 3: select the center and the view plane (e.g., X:Y plane) of the plot, as well as the ranges ("Extends")

Step 5: under **Advanced** you can fine-tune the plotting of the field vectors (vector length, # grid points)

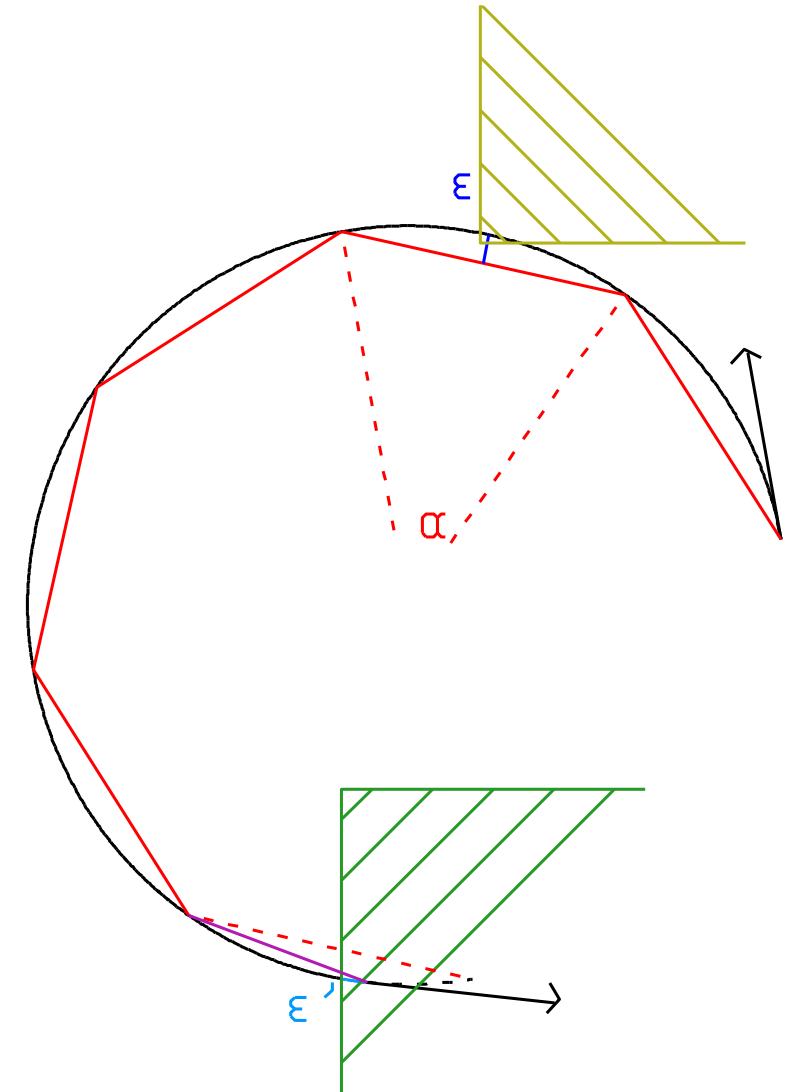
# Remarks concerning the tracking in fields

- When tracking in magnetic fields, FLUKA accounts for:
  - The **precession of the MCS\* final direction** around the particle direction: this is critical in order to preserve the various correlations embedded in the FLUKA MCS algorithm
  - The **decrease of the particle momentum** due to energy losses along a given step and hence the corresponding **decrease of its curvature radius**.
  - The **precession of a (possible) particle polarization** around its direction of motion: this matters only when polarization of charged particles is an issue (mostly for muons in Fluka)
- When tracking in electric fields inside vacuum, FLUKA accounts for:
  - The **change of the projectile energy** due to the electric field itself

\*Multiple Coulomb Scattering

# Transport settings

- The true trajectory of a charged particle inside a field (black) is approximated by linear steps (red)
  - The end point will always be on the true path, but generally not exactly on the region boundary
  - An iteration is performed until a certain boundary crossing accuracy is achieved
- The tracking accuracy can be tuned by the user:
  - The maximum angle ( $\alpha$  - in deg) subtended by a single step from the origin of the curved path.
  - The maximum permissible error ( $\epsilon$  in cm) in geometry intersections.
- Note:
  - Both conditions ( $\alpha$  and  $\epsilon$ ) are fulfilled during tracking
  - If  $\alpha$  and/or  $\epsilon$  are too large, then geometry boundaries can be missed
  - If they are too small, then the CPU time can increase a lot



# Global transport settings for B (and E) fields

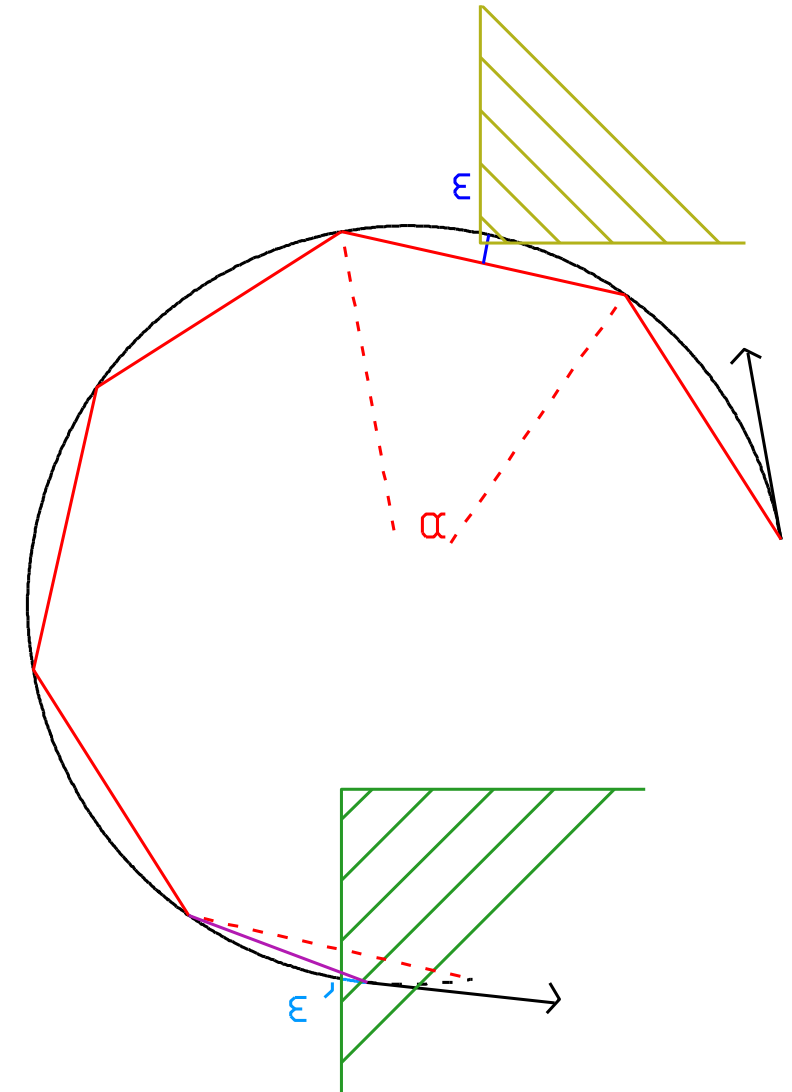
- The transport parameters can be globally set on the **MGNFIELD** (and **ELCFIELD**) cards

Maximum angle  $\alpha$  (in deg)  
(default: 57 deg, max.  
recommended: 30 deg)

Max. error on boundary  
intersection iteration  $\epsilon$  (in cm)  
(default: 0.5 mm!)

```
U MGNFIELD Max Ang (deg): 30 Bound Acc. (cm): 0.001 Min step (cm): 0.1  
Bx: 0.0 By: 1 Bz: 0.0
```

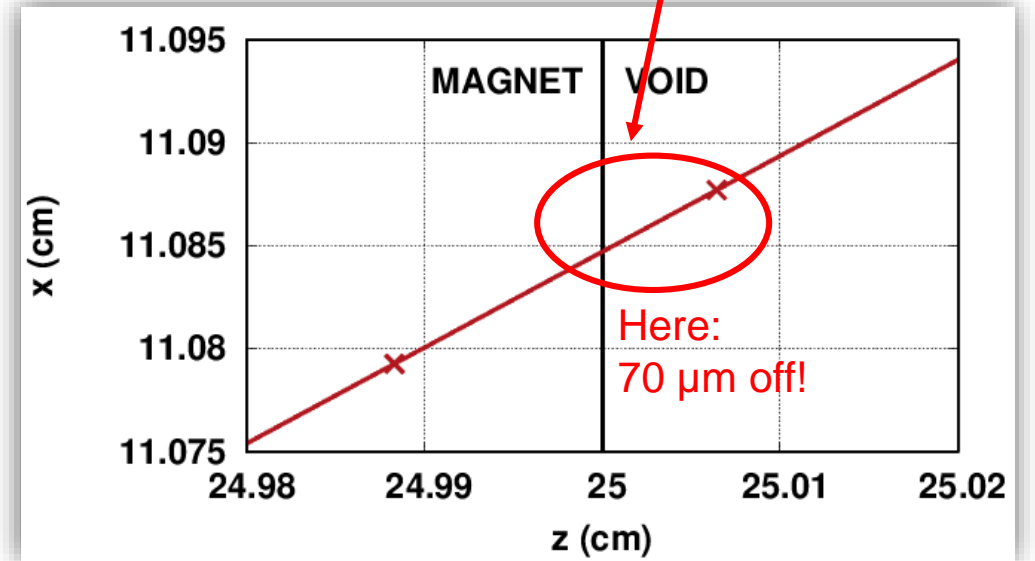
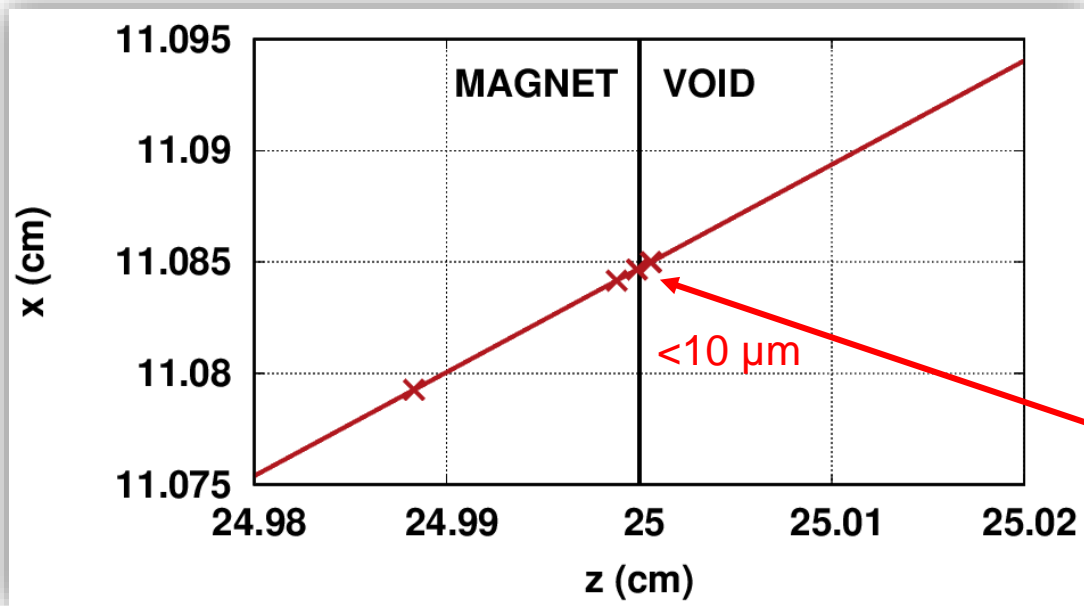
(analogous for **ELCFIELD** card)



# Beware of default settings (here: $\epsilon$ )

U MGNFIELD Max Ang (deg): Bound Acc. (cm): ← Min step (cm):

Default settings



U MGNFIELD Max Ang (deg): Bound Acc. (cm): 0.001 Min step (cm):

Rule of thumb:  $\epsilon$  shall be *smaller than the region dimensions* (be careful in presence of small structures), but watch out for excessive CPU times



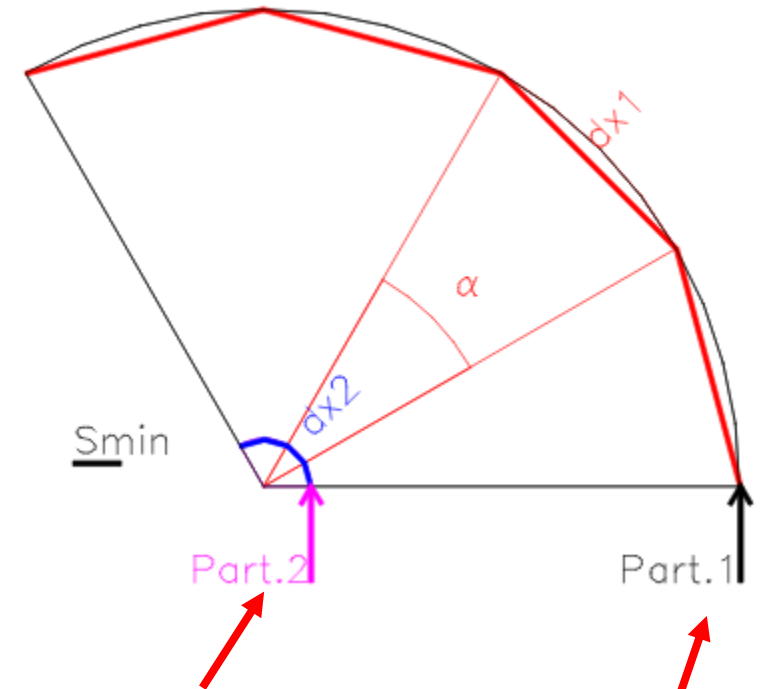
# Global transport settings for B (and E) fields (cont.)

- Avoiding too small steps (endless tracking)

In some cases, the settings can lead to very small steps:  
to avoid endless tracking, a minimum sub-step size  $\Delta s$  can be set (default 1 mm);

```
U MGNFIELD Max Ang (deg): 30 Bound Acc. (cm): 0.001 Min step (cm): 0.1  
Bx: 0.0 By: 1 Bz: 0.0
```

(analogous for **ELCFIELD** card)



$\alpha$  leads to too small steps ( $< \Delta s$ ):  
Sub-step size increased to  $\Delta s$

$\alpha$  leads to steps  $> \Delta s$ :  
Sub-step size not changed

# Region-by-region transport settings for B/E fields

- The global transport parameters can be overwritten for (selected) regions using the **STEPsize** card
- Region-by-region tuning can save CPU time

If negative value given: abs. value defines the max. error on boundary intersection iteration  $\epsilon$  (in cm) for the given



If positive value given: minimum sub-step size  $\Delta s$

# Outlook (advanced features)

- In the case where the FLUKA magnetic/electric are insufficient, dedicated routines can be used to simulate more complex problems
- Such fields can be described in the **MAGFLD/ELEFLD** routines (`src/user/magfld.f` and `src/user/elcfld.f`)
  - In these routines, the field components and field strength can be defined as a function of the coordinates. Only called in regions declared as magnetic/electric via the relevant **ASSIGNMA** card

