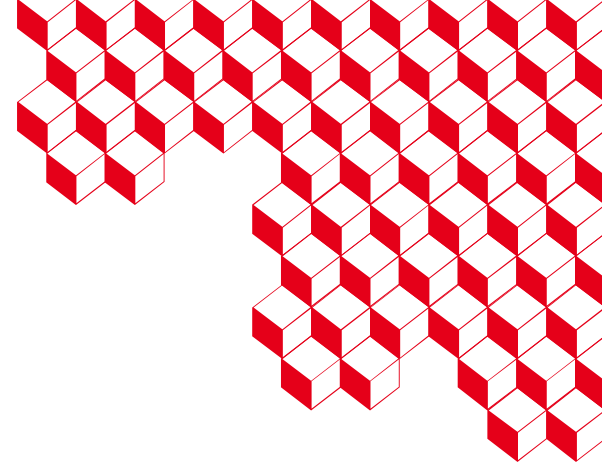




irfu



Saclay MPGD workshop

DRD1 collaboration

WG6

February 2024

Brahim Moreno on behalf of Saclay MPGD workshop

Localisation



1- Headquarters

Civil research centres

2- Paris-Saclay
(Fontenay-aux-Roses and Saclay establishments)

3- Grenoble

4- Marcoule

5- Cadarache

Military applications research centres

6- Île de France

7- Le Ripault

8- Valduc

9- Cesta

10- Gramat

Organization



**ARNAUD BONENFANT
TECHNICIAN**

R&D and production



OPEN POSITION-TECHNICIAN

R&D and production



**MAXENCE VANDERBROUCHE
PHYSICIST**

R&D and production – workshop coordinator



BRAHIM MORENO-PHYSICIST

Quality/metrology, R&D, production – workshop coordinator

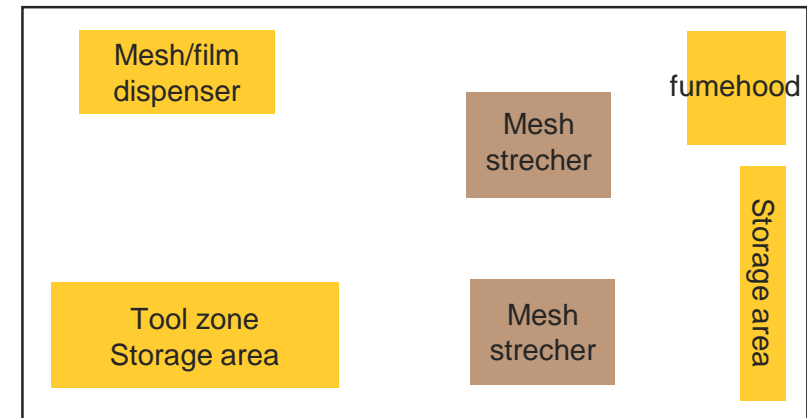
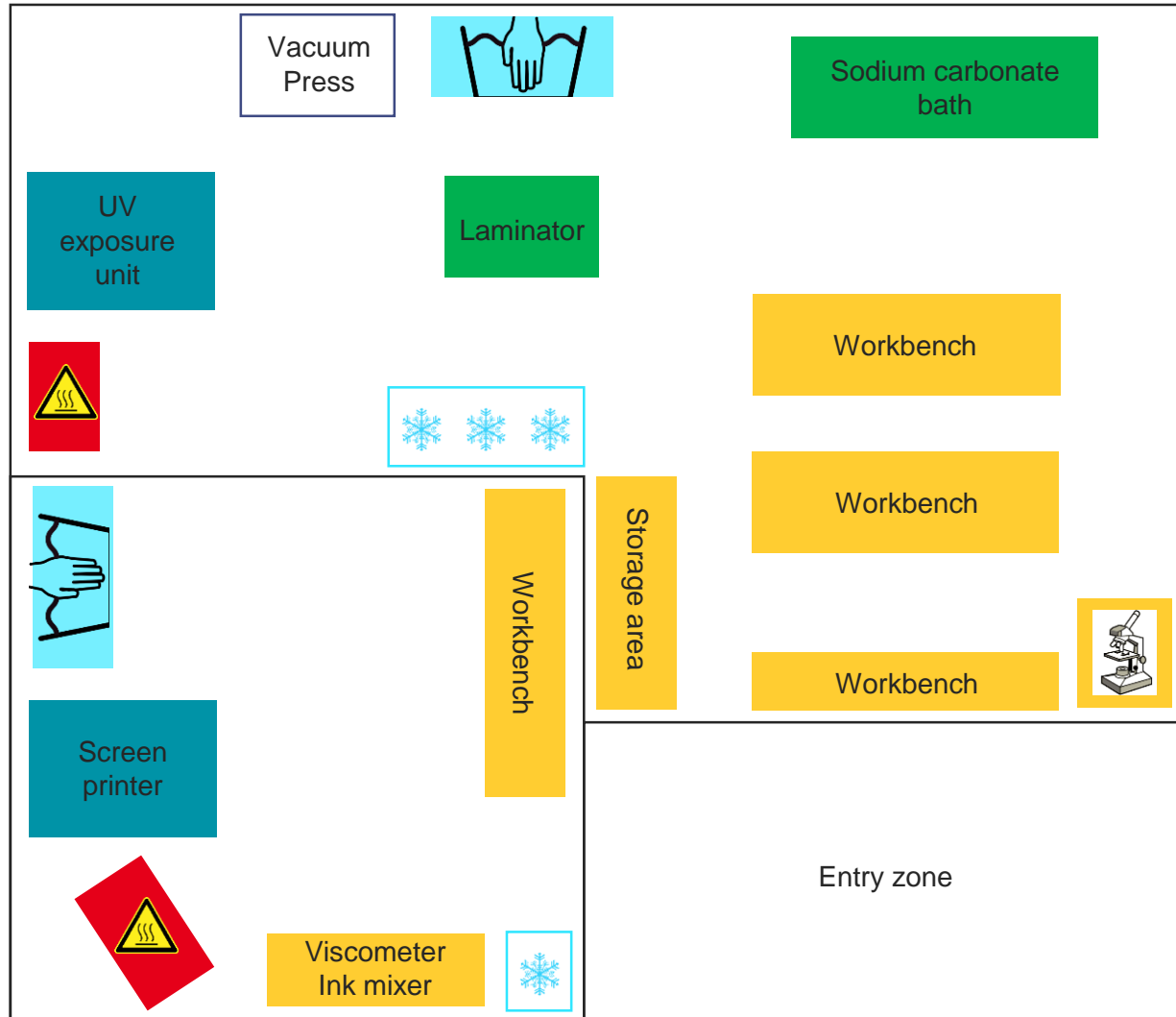


**SUPPORT FROM DEDICATED PERSONNEL
DEPENDING ON THE PROJECTS**

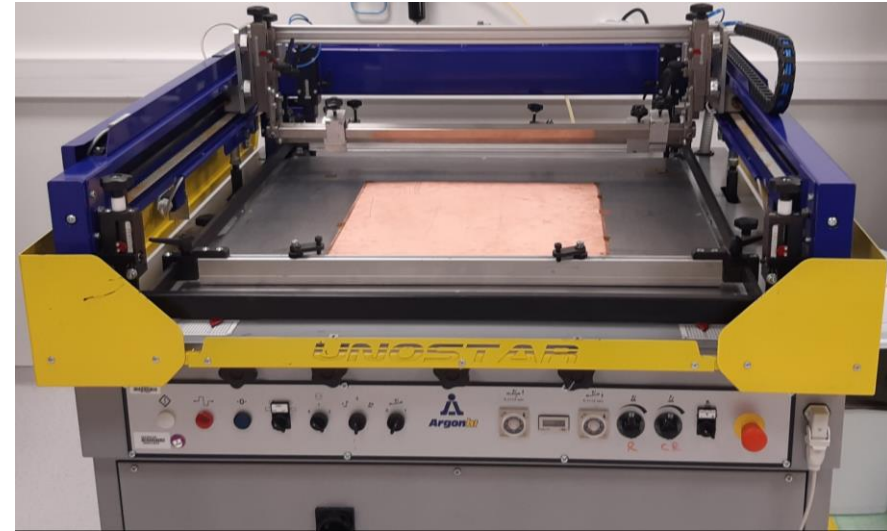
R&D physicists : R&D and production

Experimental physicist: R&D and production

MPGD workshop



MPGD workshop



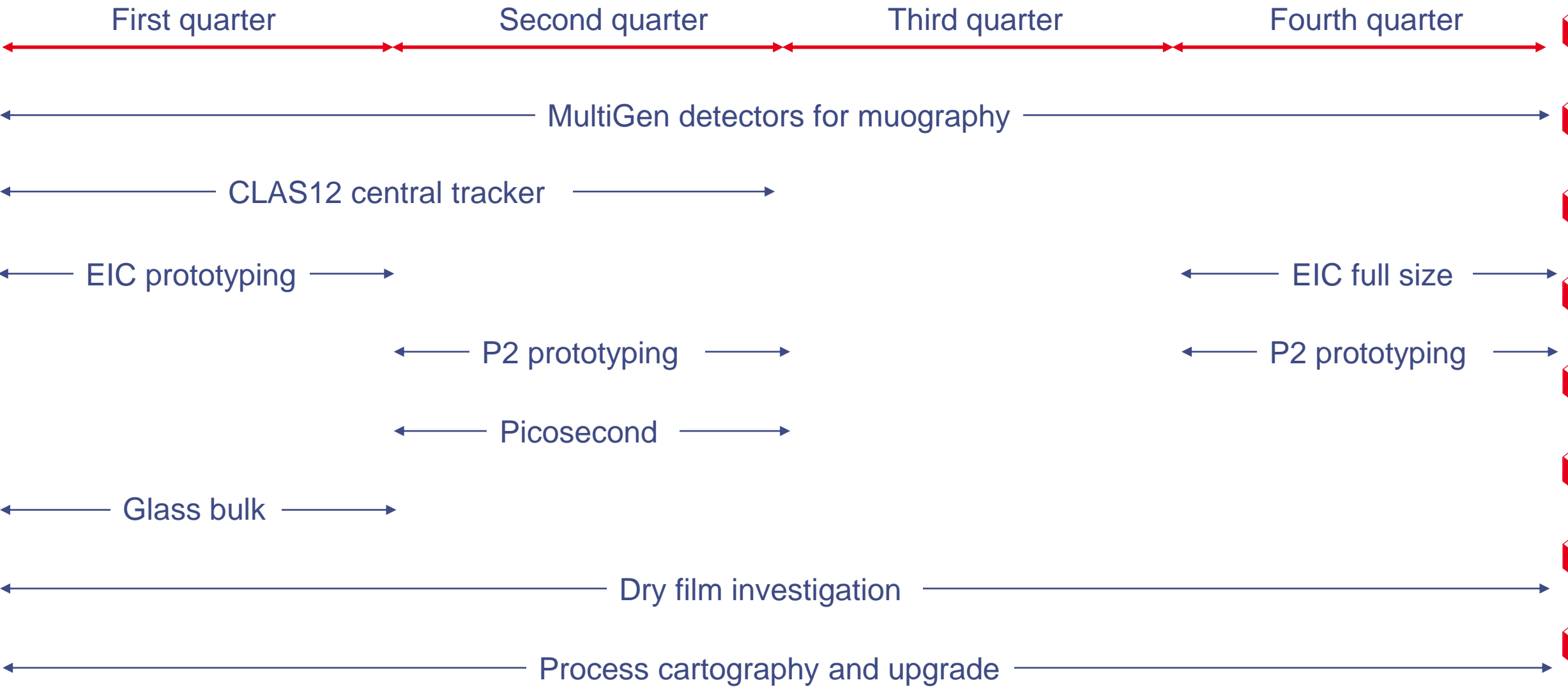
MPGD workshop



MPGD workshop



Plan for 2024



Foreseen investments for 2024 and beyond

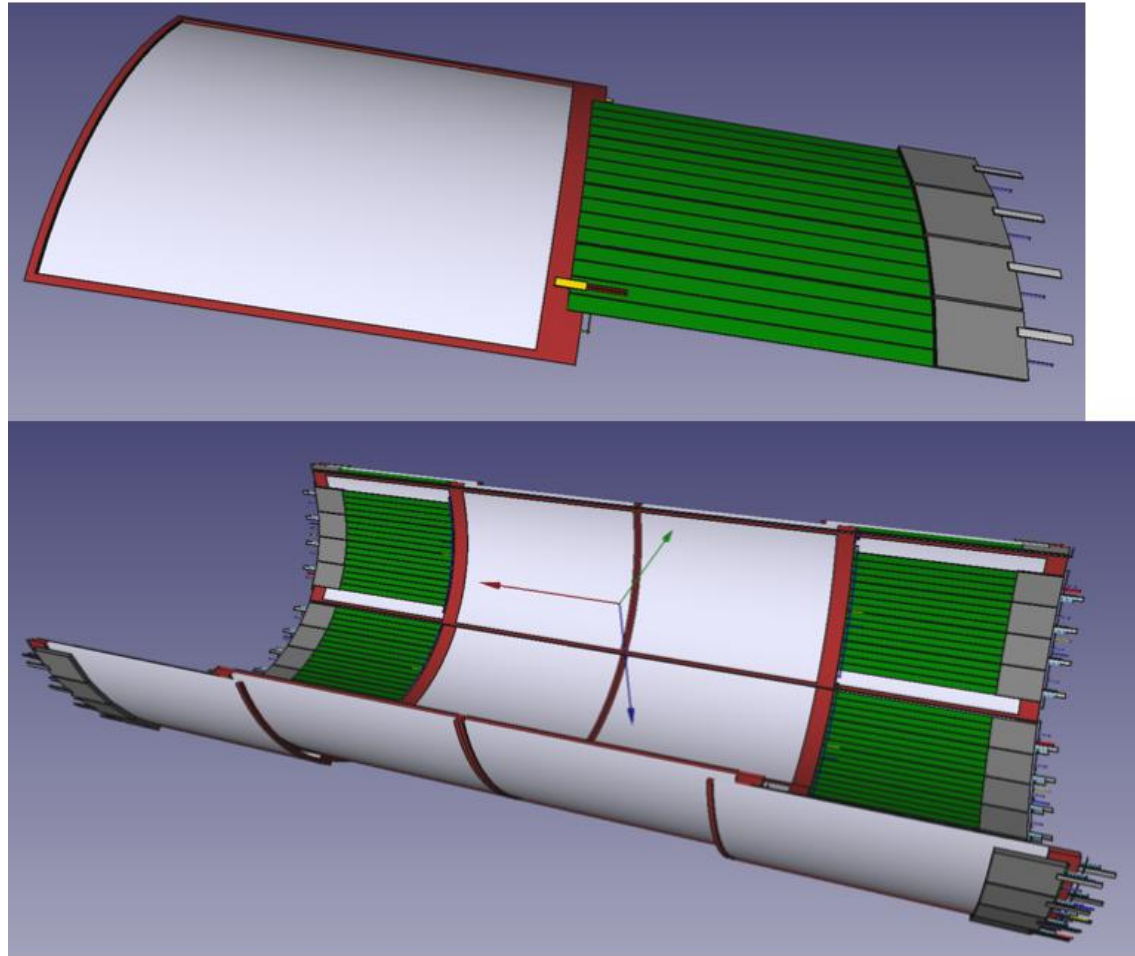
- New oven to improve production capability and have better temperature homogeneity control
- Press to have the capability to glue printed kapton foils on detector floor
- Direct engraving machine to replace our lamp-based UV exposure unit

#5 CONTINUOUS IMPROVEMENT



CLAS12





P2

