



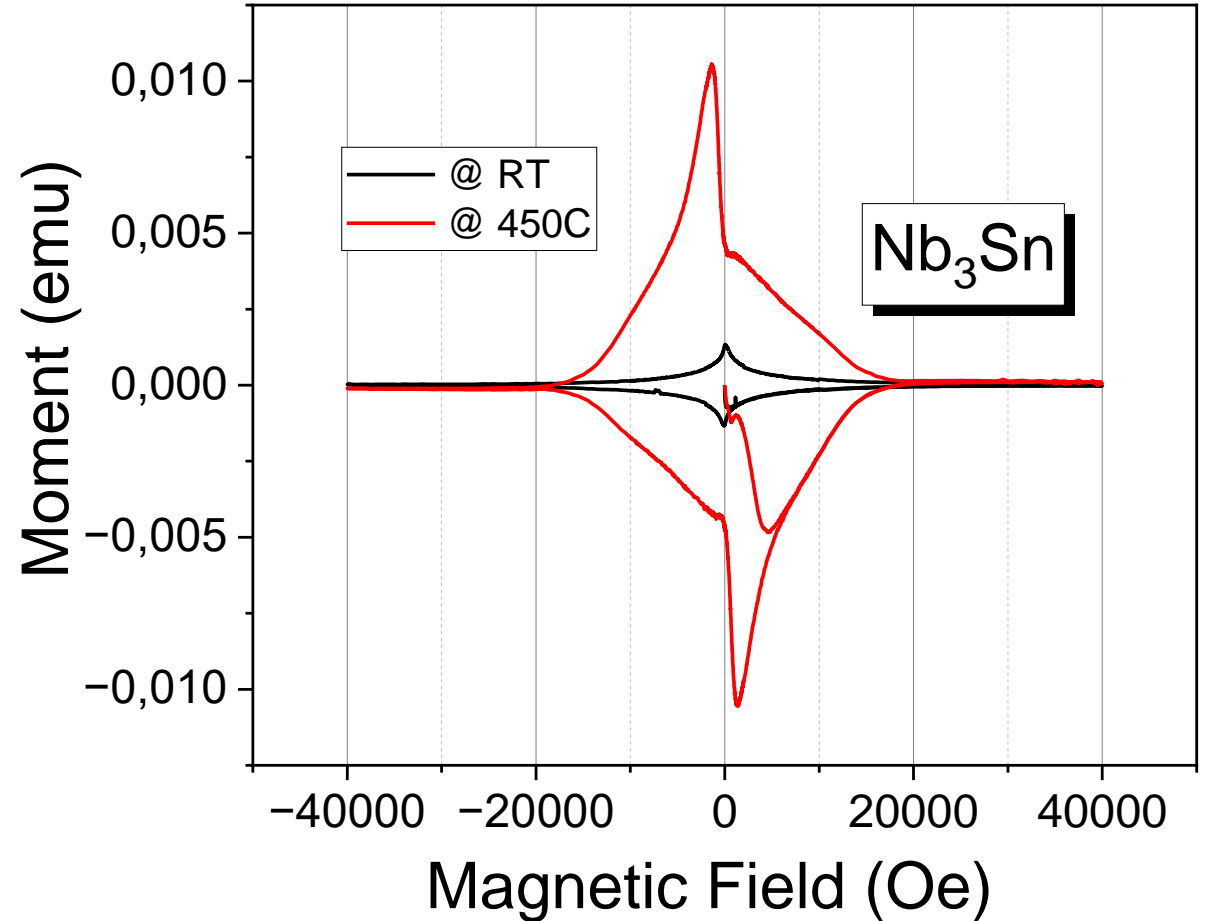
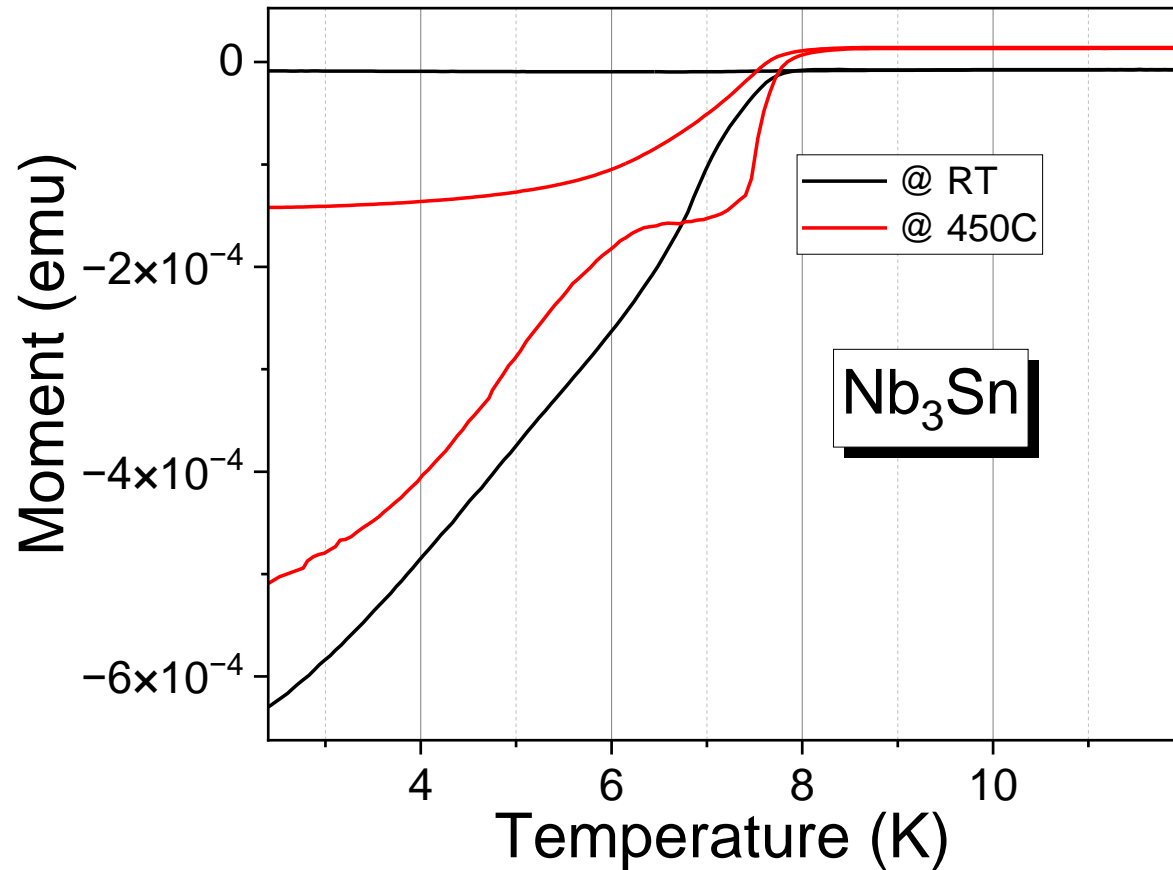
Millisecond flash lamp treatment for SRF accelerating cavities

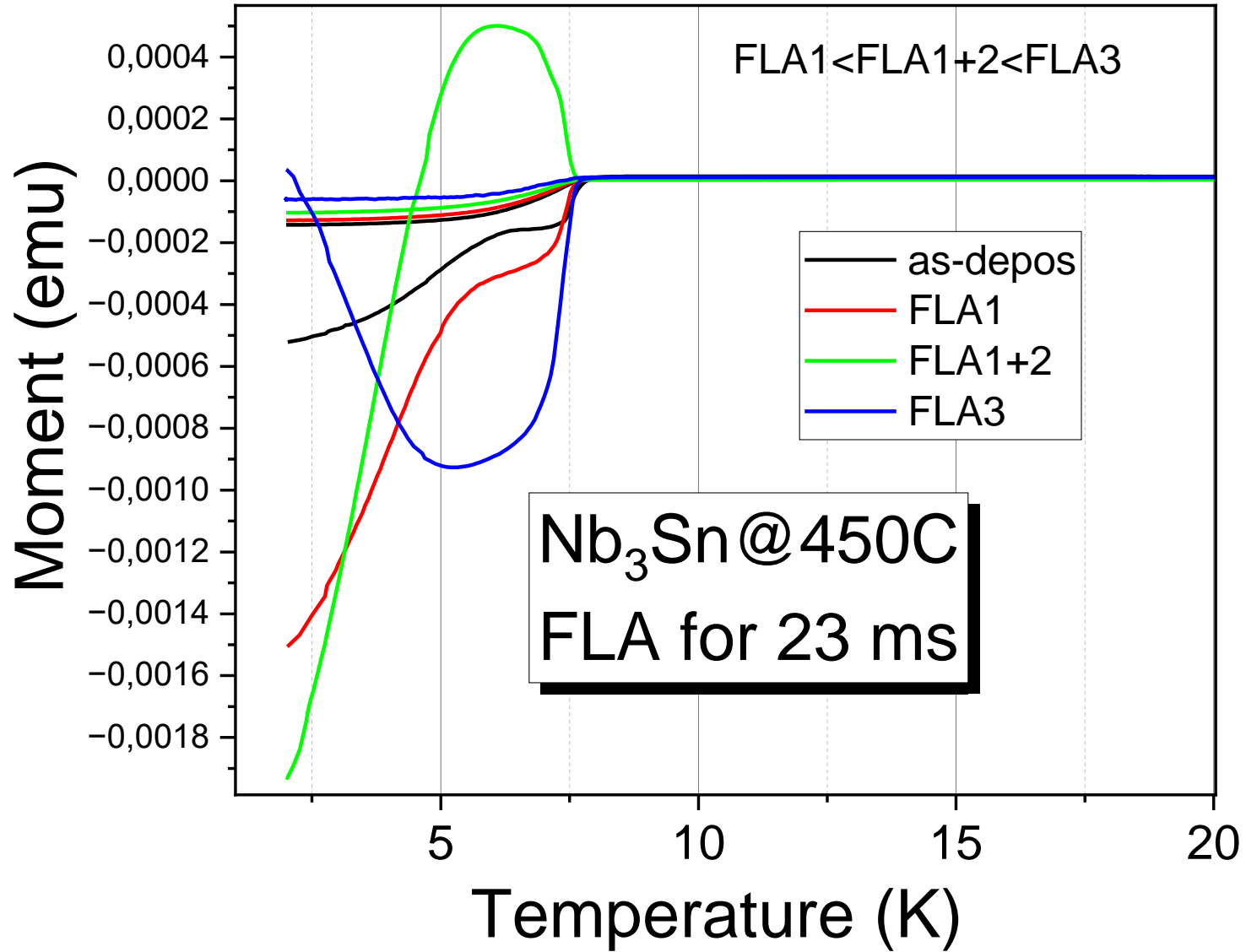


Samples

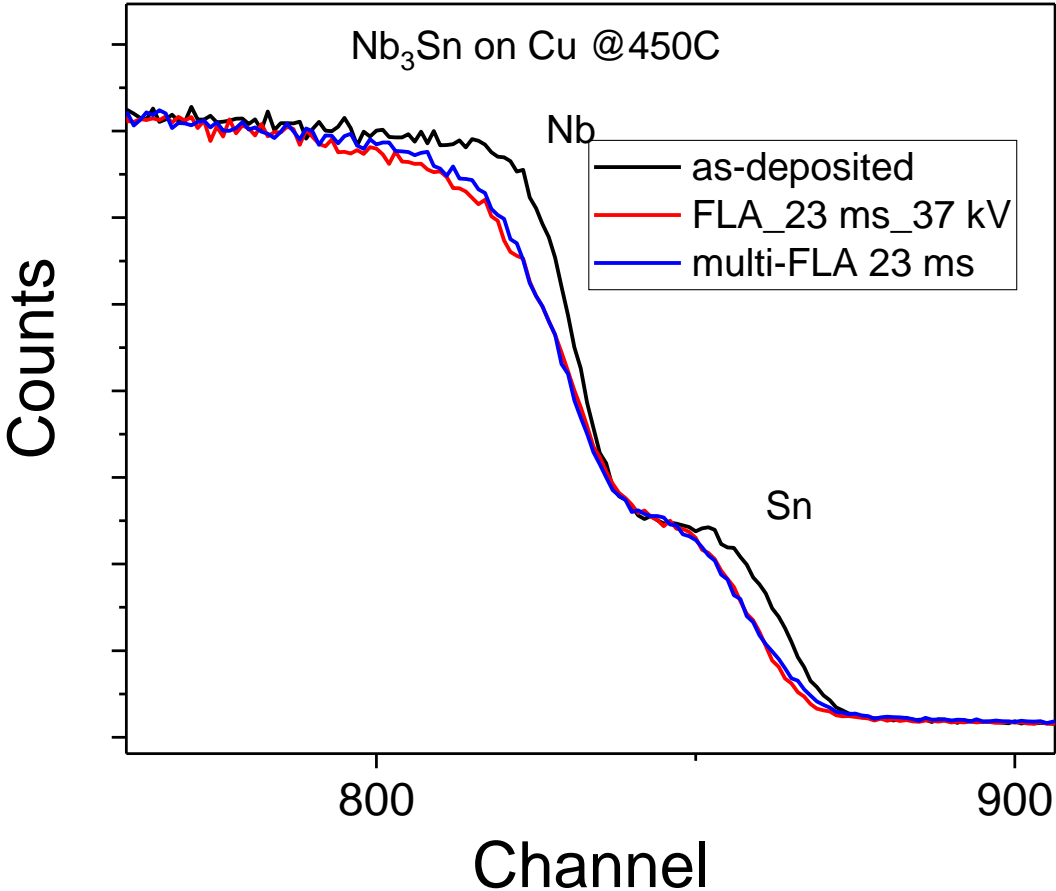
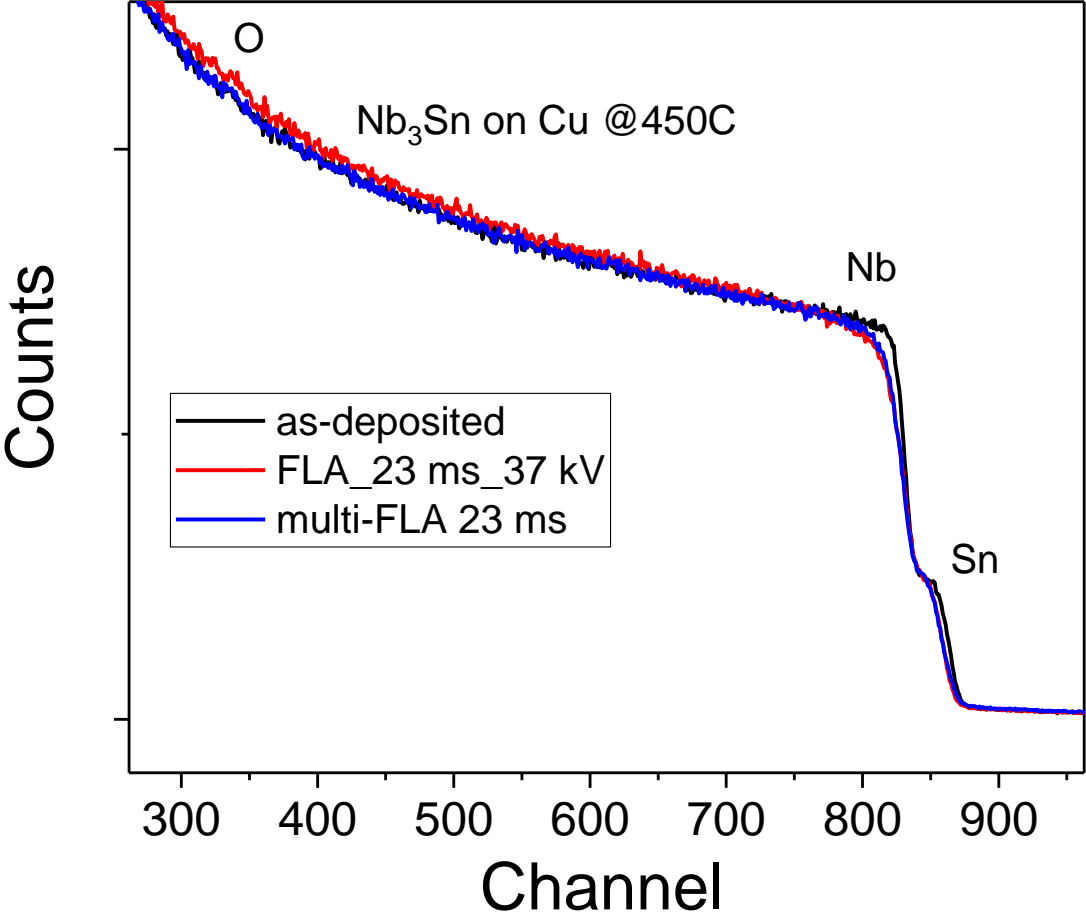
- Nb₃Sn deposited on **Cu @ RT, 450 °C**, 600 °C
- Nb₃Sn layers are with and without Nb barrier

SQUID

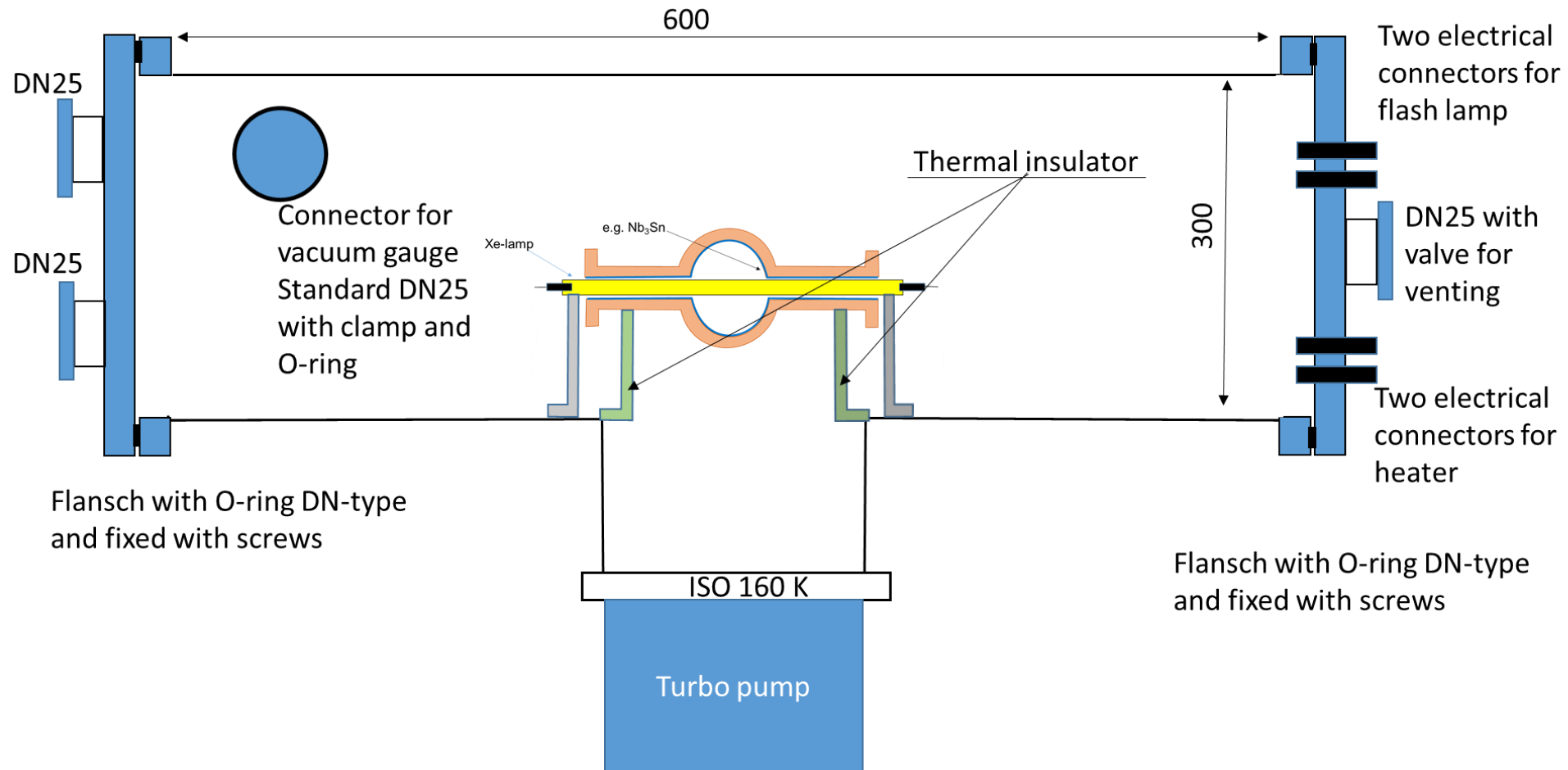




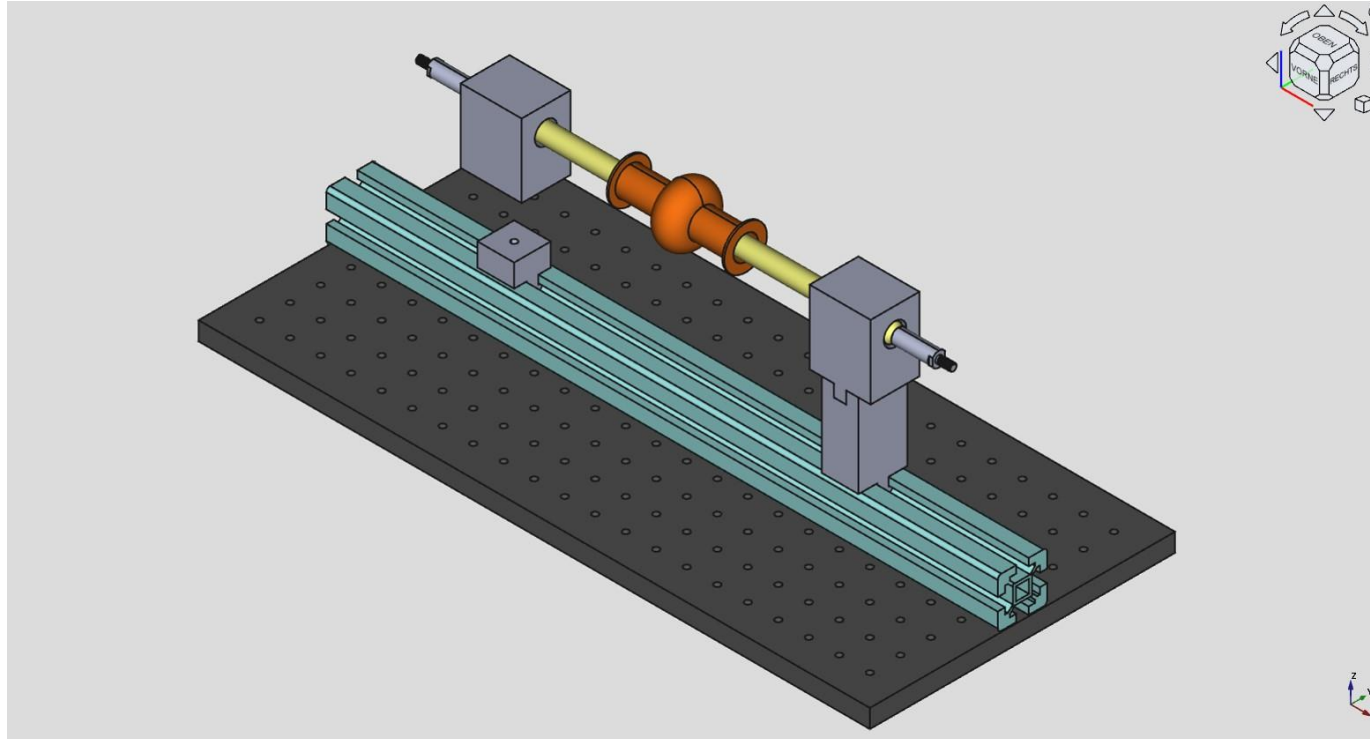
Rutherford Backscattering spectrometry



FLA system for 6 GHz cavity annealing



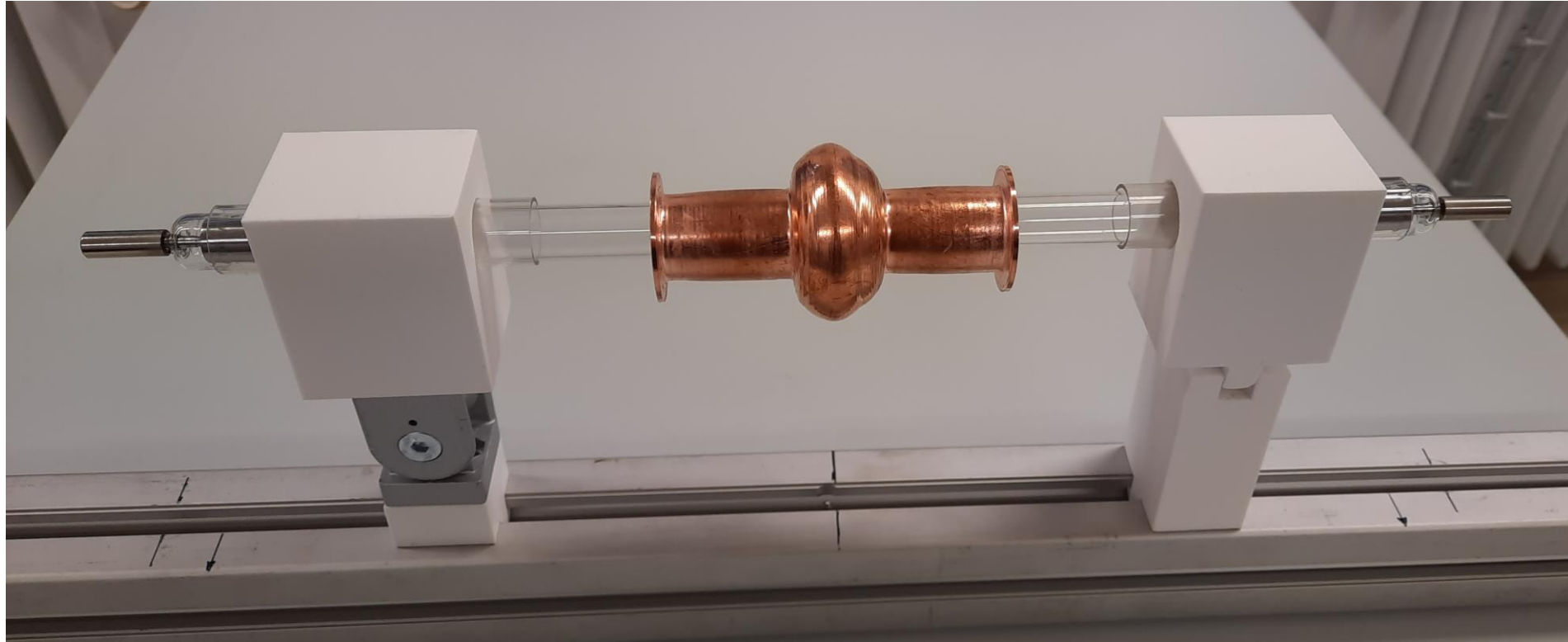
FLA system for 6 GHz cavity annealing



Holding system for the flash lamp and cavity

Cristian Pira – Millisecond flash lamp treatment for SRF accelerating cavities – IIF Evaluation

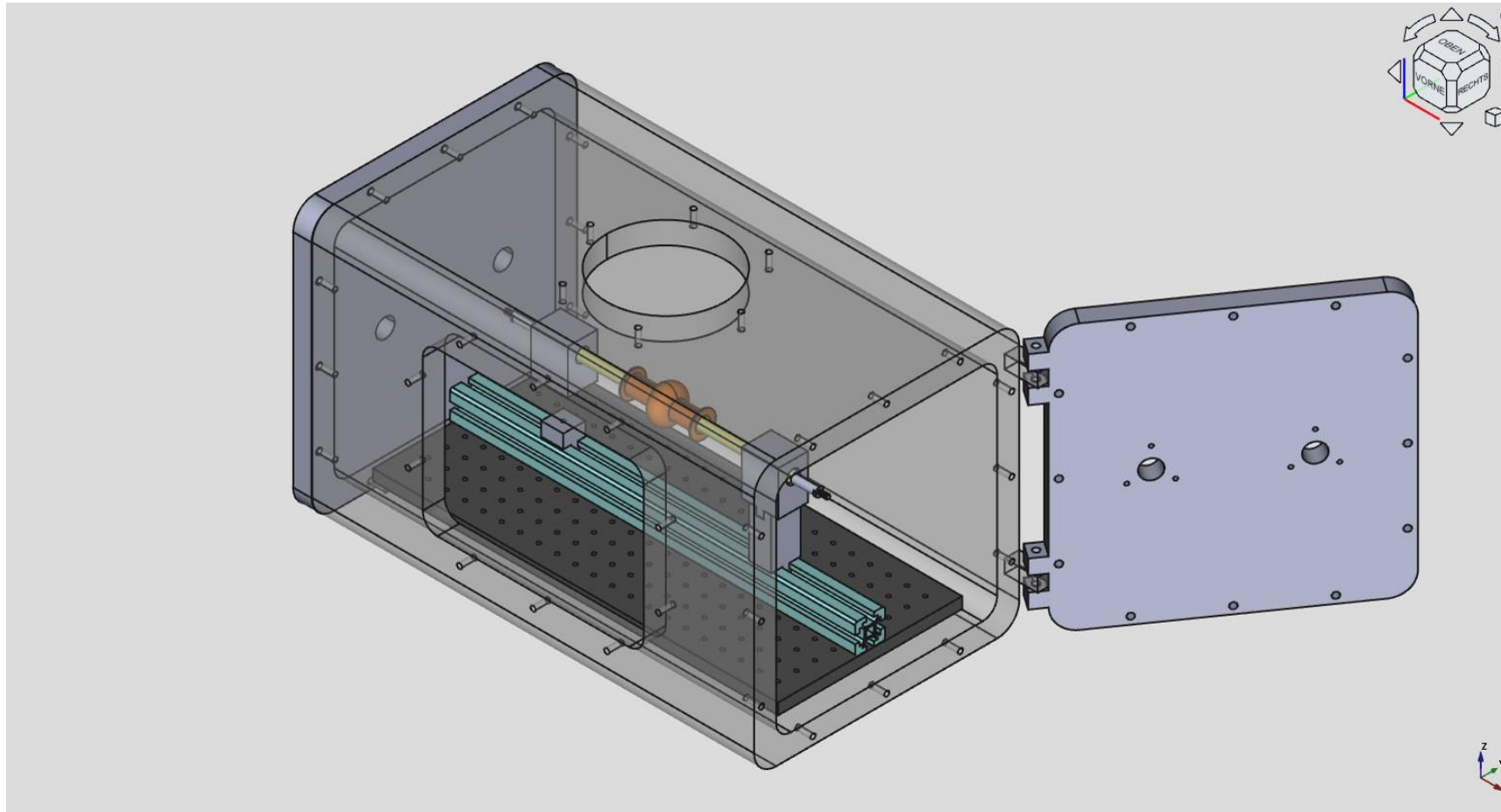
FLA system for 6 GHz cavity annealing



Holding system for the flash lamp and cavity

Cristian Pira – Millisecond flash lamp treatment for SRF accelerating cavities – IIF Evaluation

FLA system for 6 GHz cavity annealing



iFAST

Thank you



This project has received funding from the European Union's Horizon 2020 Research and Innovation programme under GA No 101004730.