

MICE Top-Level Project Schedule

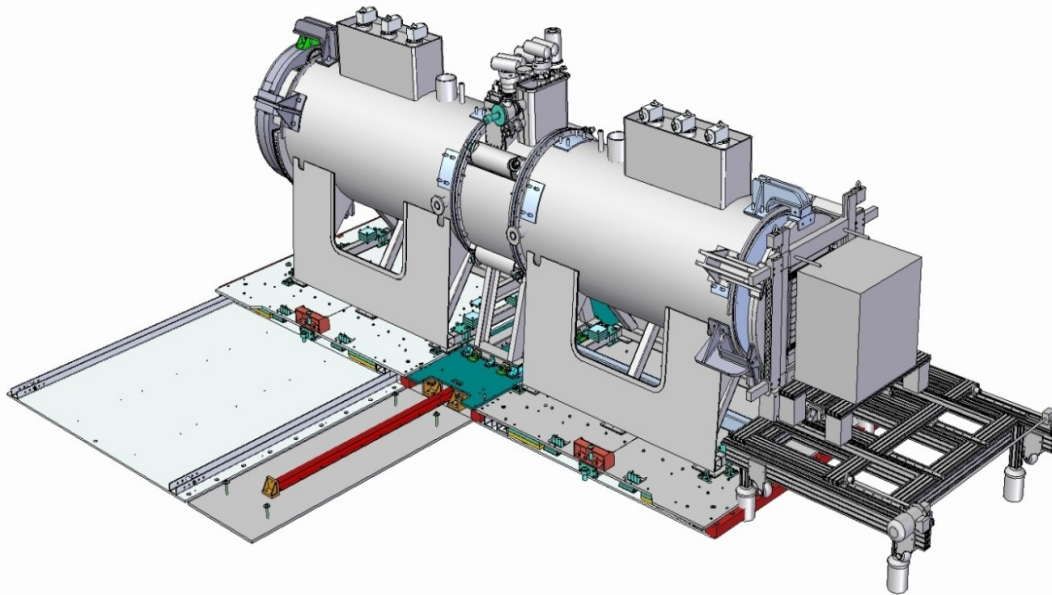
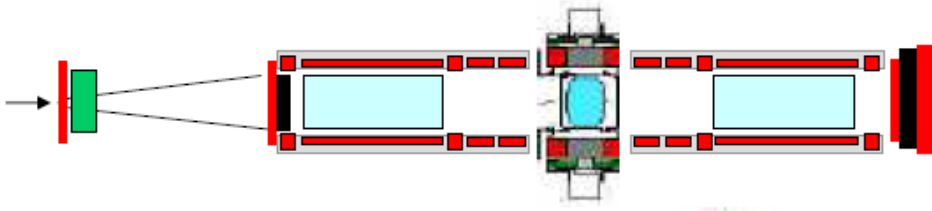
- *Step IV*
- *Step V*

- *Revision date: 17th June, 2011*

- *Note: items in red text are key schedule drivers*
- *Items in orange text are high risk items*
- *Items in Green text are complete*



STEP IV



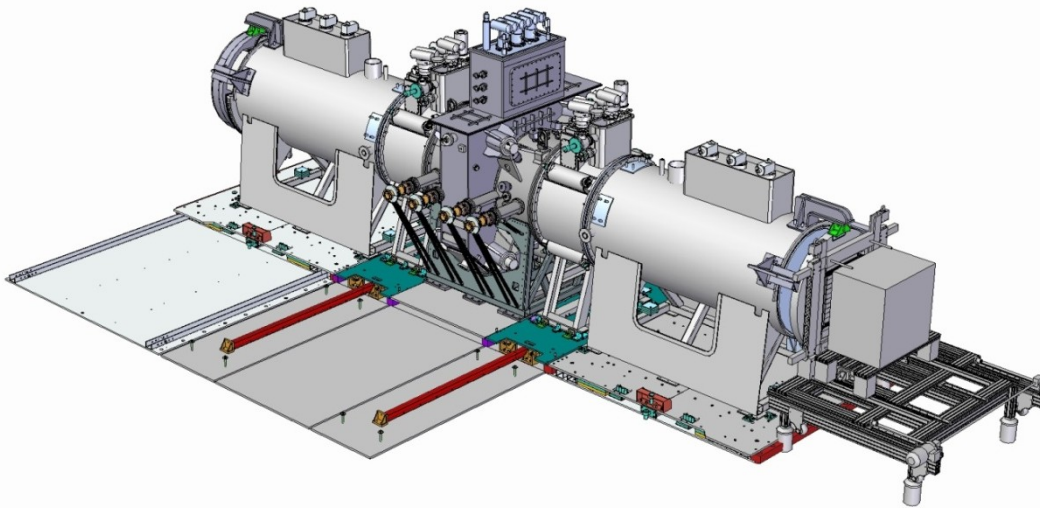
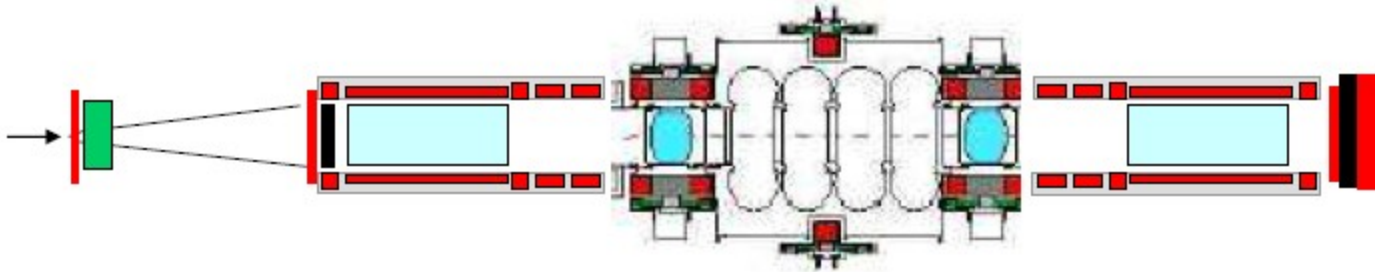
Subsystem	Date
Spectrometer solenoid #1 + #2	June'12
Fibre tracker #1 + #2	Ready
Focus coil #1	Sept'11
LH ₂ system A	Dec '11
Solid absorber(s)	June '12
Liquid absorber	Ready
Diffuser	June'11
Virostek plate	Feb. '12
Substation upgrade	Ready
EMR installation	Dec'11
Radiation shutter	June '12
AFC Moving platform #1	Nov'11

Step IV ready... Q3, 2012





STEP V



Subsystem	Date
Step IV data-taking complete	Q1 2013
Absorber Focus Coil #2	Q4 2011
LH2 system B	Q1 2013
RF Amplifiers	Q3 2013
RF Infrastructure	Q3 2013
Successful test of first CC coil	Q4 2011
RFCC #1	Q1 2013
AFC Moving platform #2	Q4 2012
RFCC Moving platform #1	Q4 2012
ISIS Long shutdown start	Aug 2014
ISIS Long shutdown end	Feb 2015

Step V ready... Q2, 2014



General schedule comments



- Discussion with Gail Hanson, Schedule Coordinator, started this week:
 - Major milestone table started
 - Hope to finish next week or so
- Need to re-schedule the MICO meeting
 - Wednesday 16:30 UK time seems best, any comments...?
- Generally encouraging discussions this week
 - Glad that August 2014 date seems to be acceptable for Step V aspiration
 - Have to work out relationship between this date, the RFCCs and Step V & Step VI
 - CC schedule critical to the above – point well taken about test of first coil
 - Very important that MICE approves a new project plan for the CCs – a vital milestone in itself

