



MICE CM30

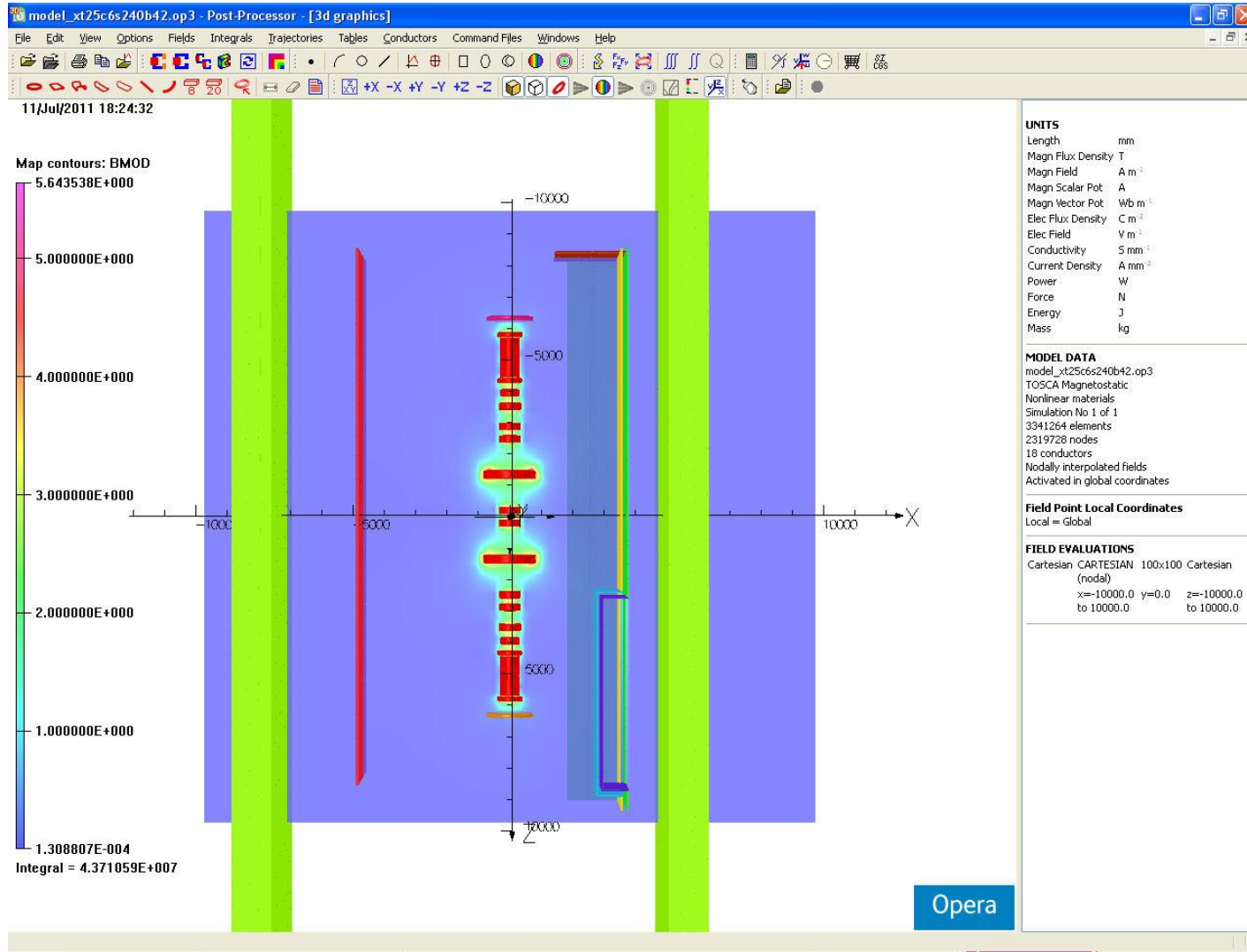
Magnetic Shielding Update Field Maps

Mike Courthold
6th July 2011

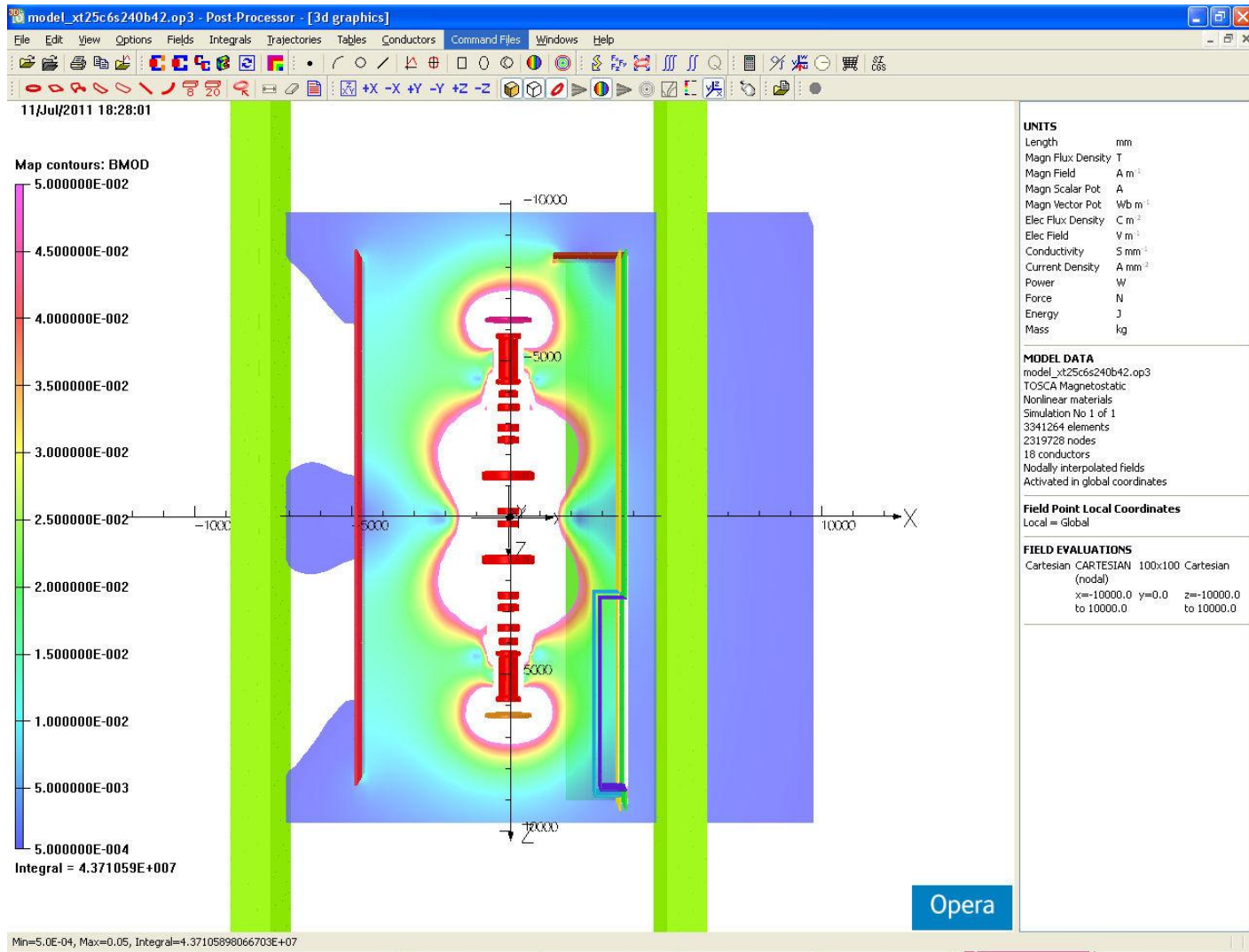


Science & Technology
Facilities Council

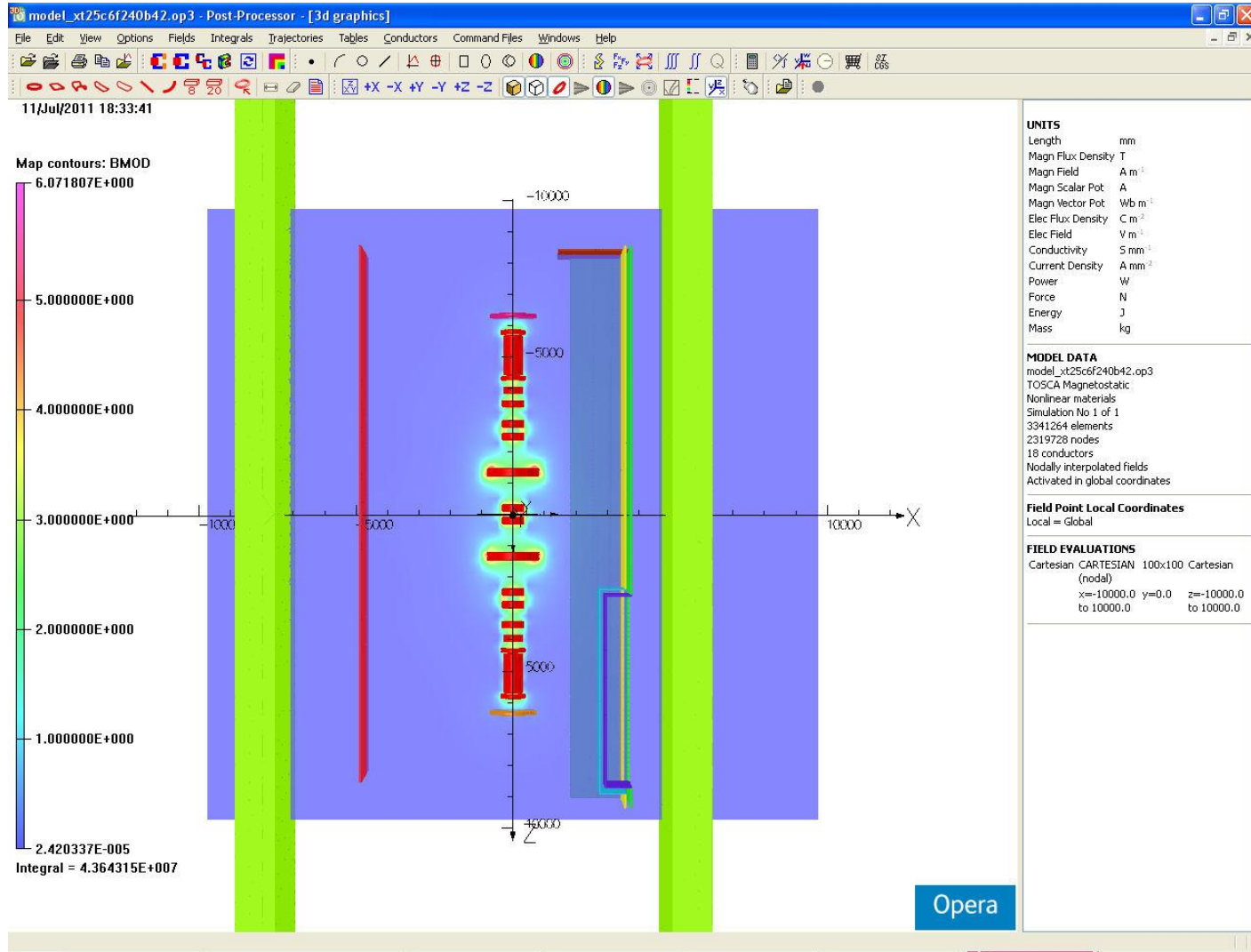
Phase VI, Solenoid mode, TRD data, 240MeV/c, Beta 42cm



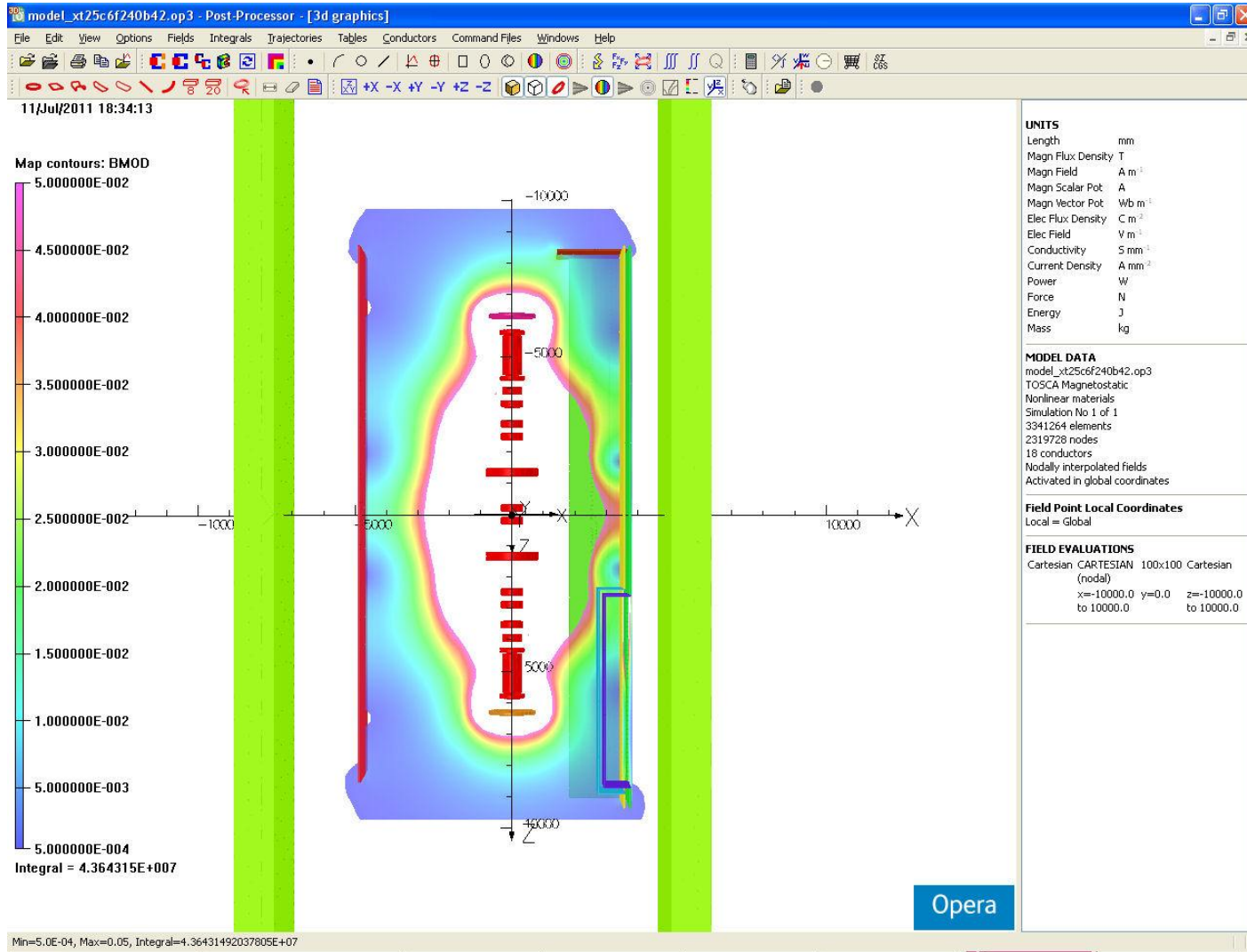
Phase VI, Solenoid mode, TRD data, 240MeV/c, Beta 42cm



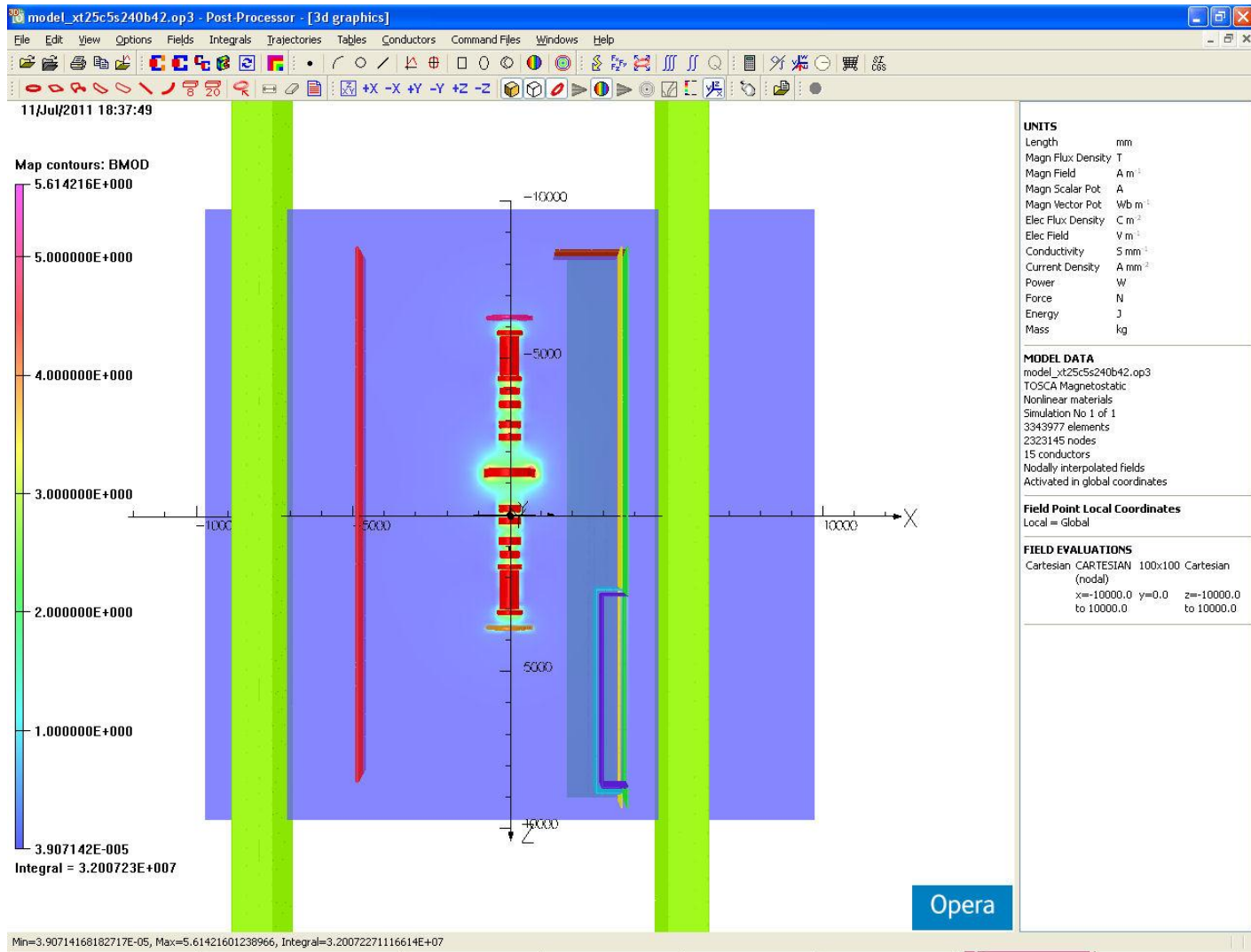
Phase VI, Flip mode, TRD data, 240MeV/c, Beta 42cm



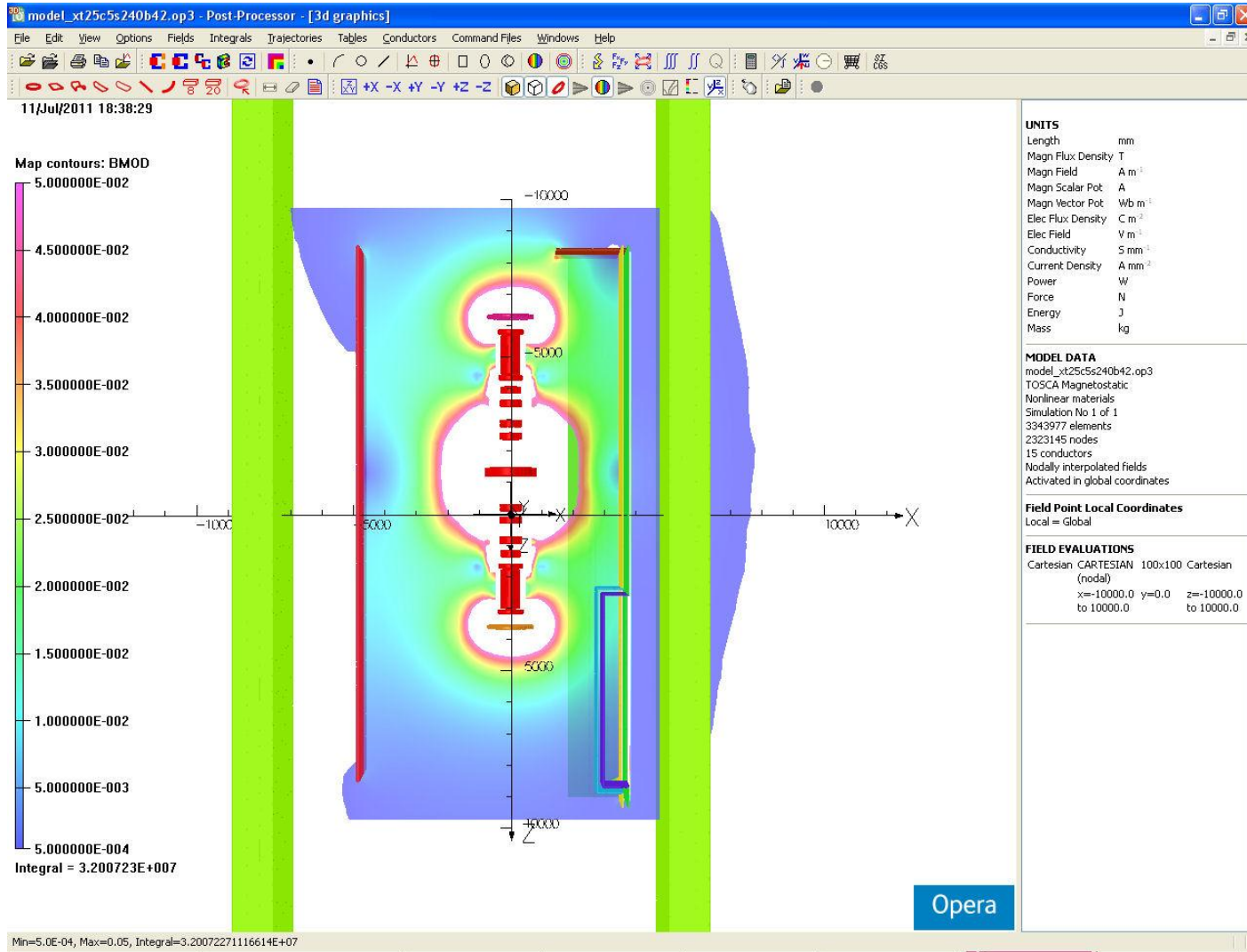
Phase VI, Flip mode, TRD data, 240MeV/c, Beta 42cm



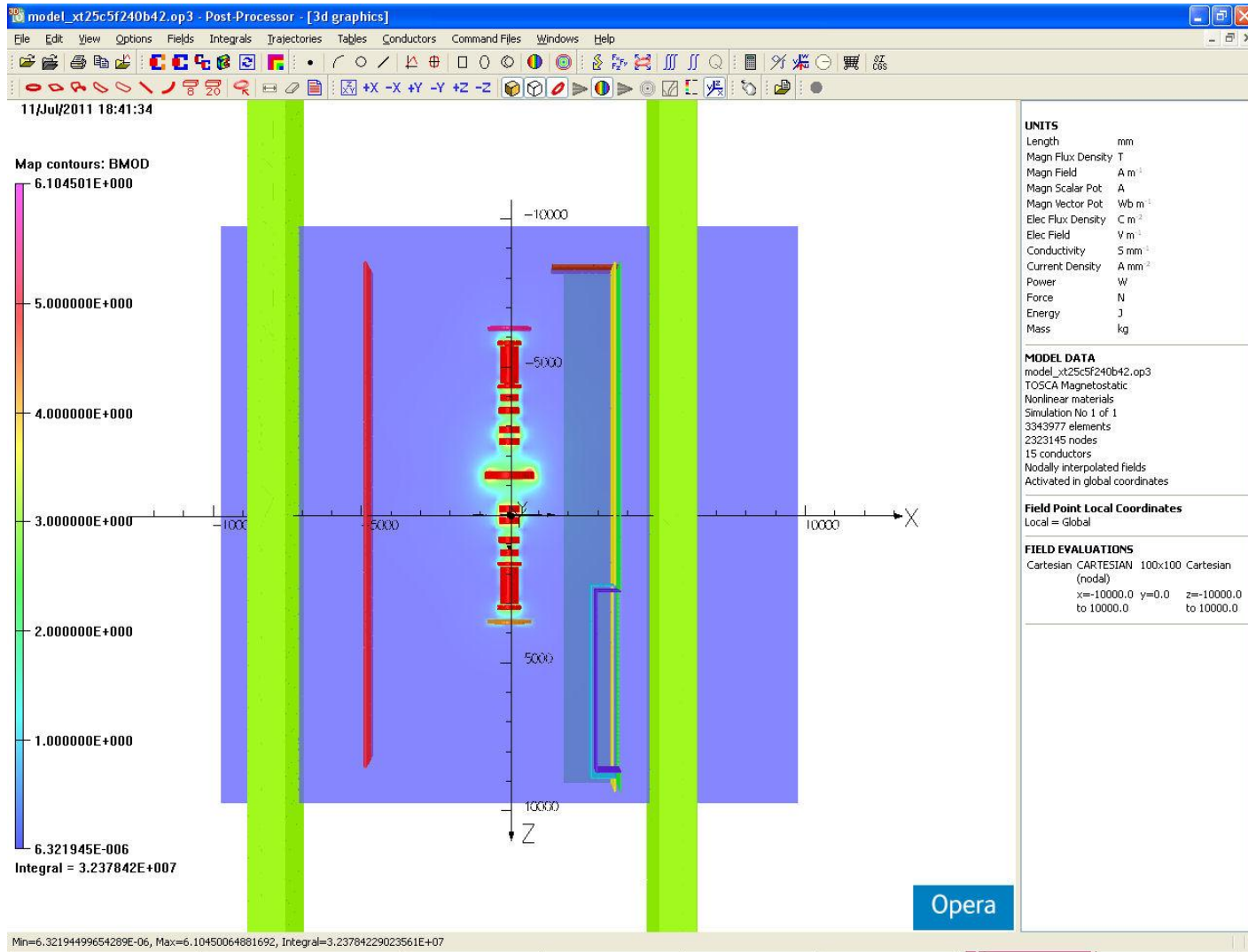
Phase V, Solenoid mode, TRD data, 240MeV/c, Beta 42cm



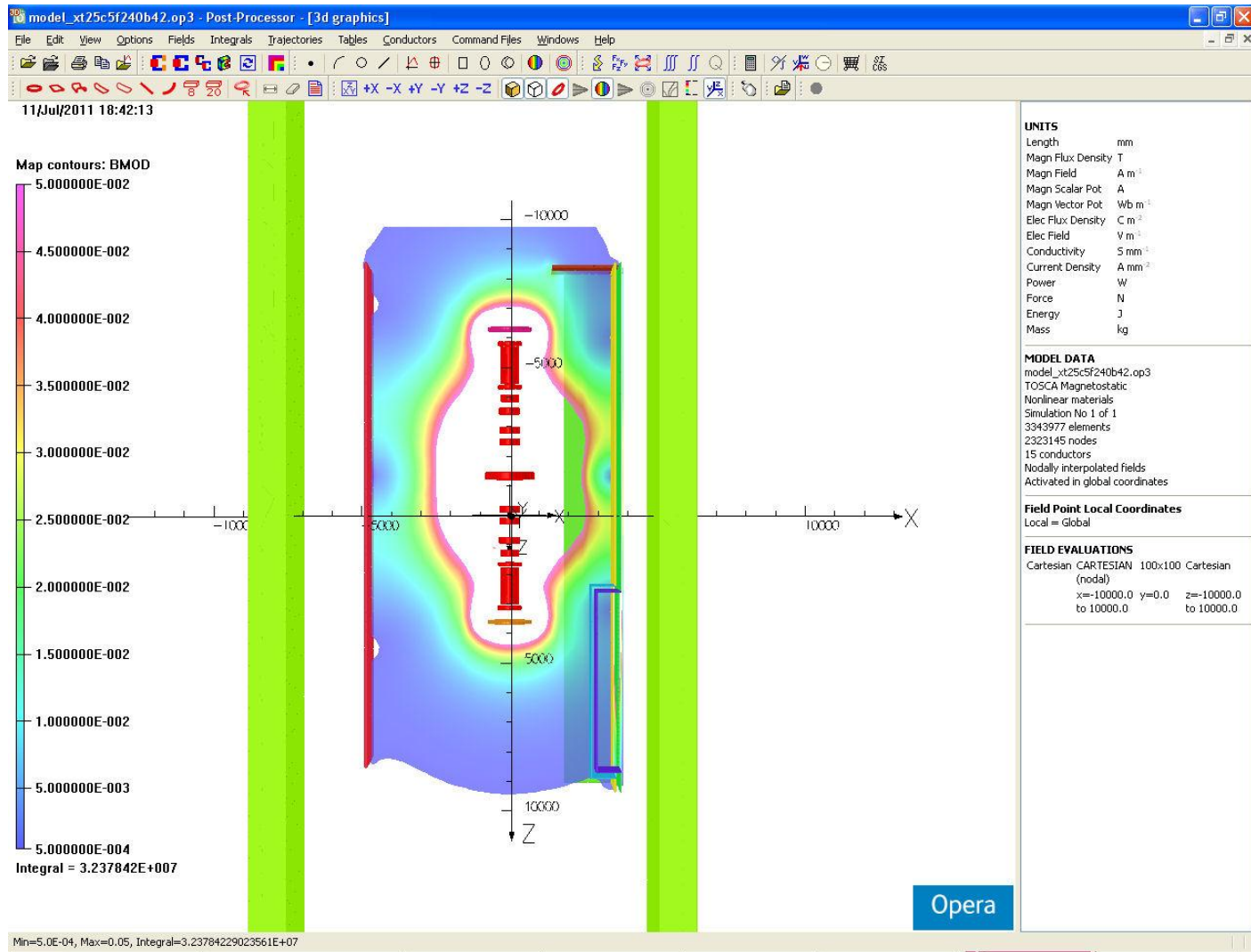
Phase V, Solenoid mode, TRD data, 240MeV/c, Beta 42cm



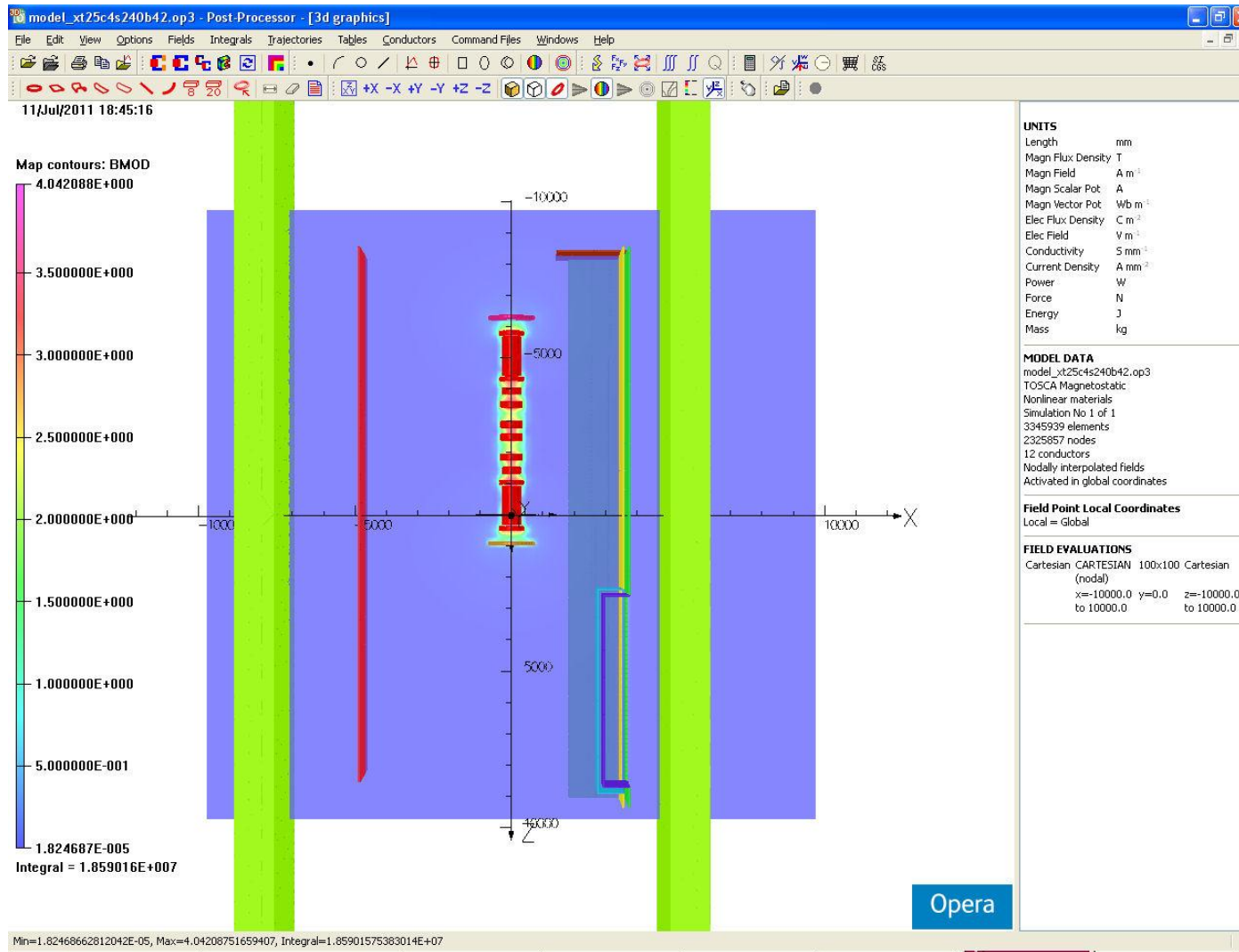
Phase V, Flip mode, TRD data, 240MeV/c, Beta 42cm



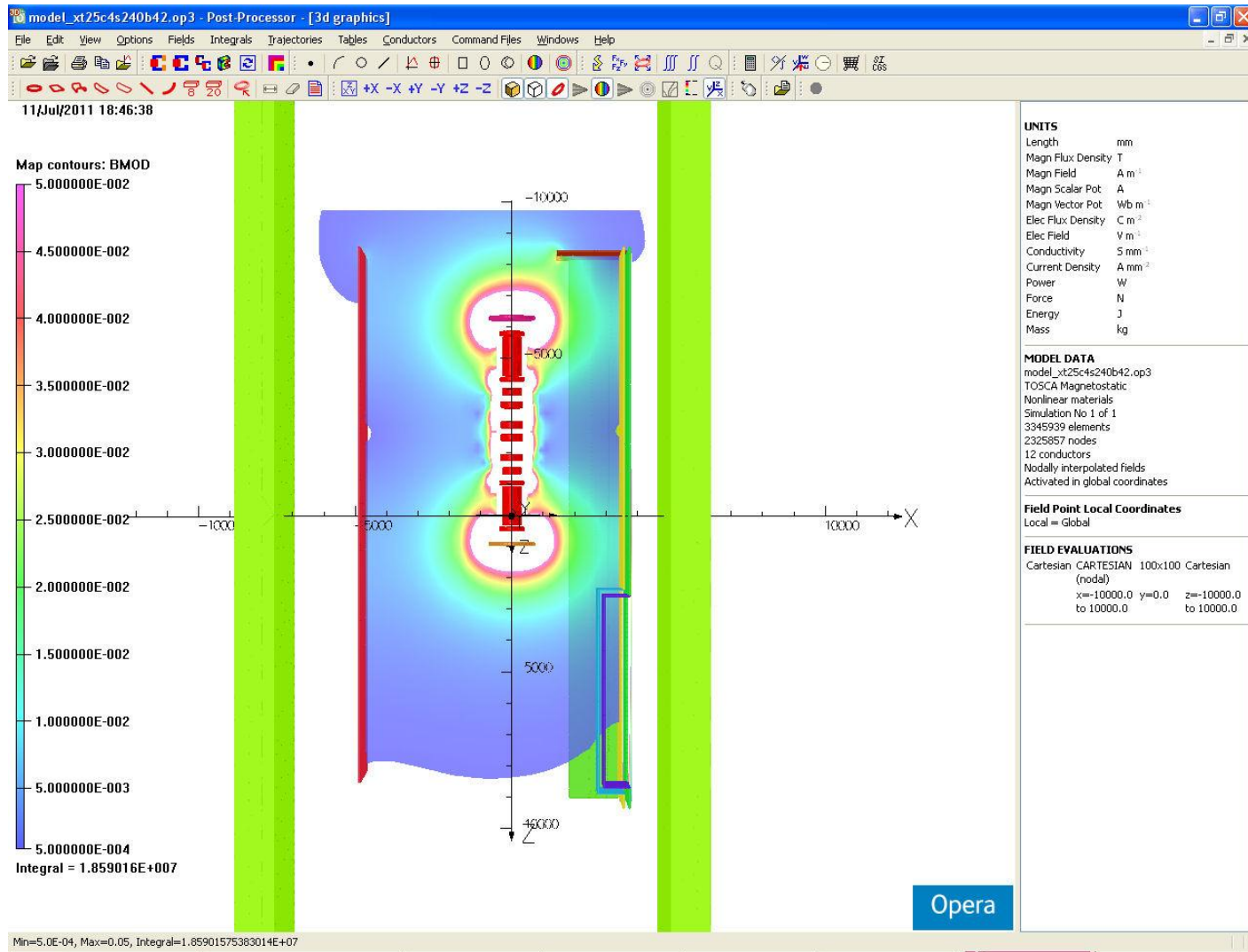
Phase V, Flip mode, TRD data, 240MeV/c, Beta 42cm



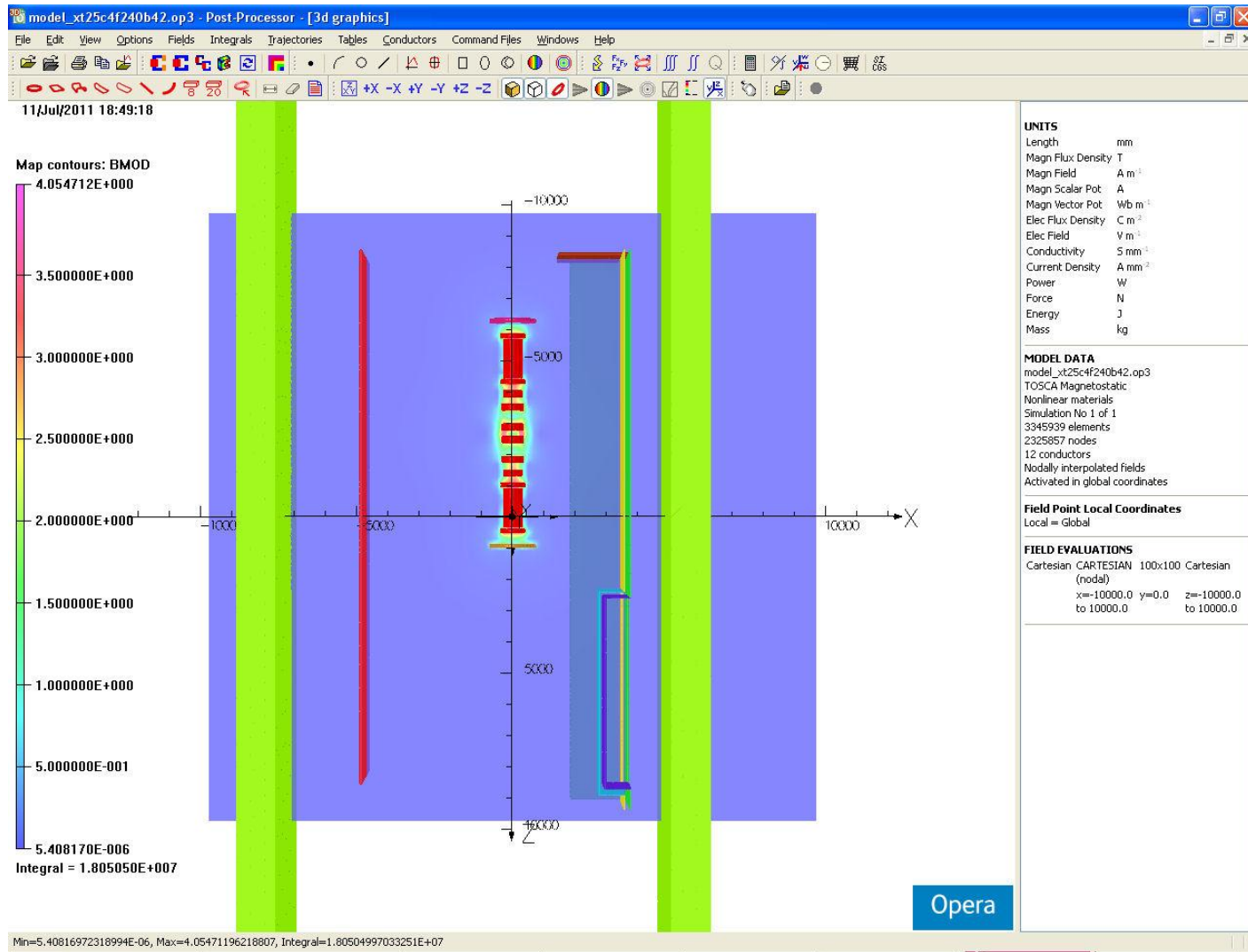
Phase IV, Solenoid mode, TRD data, 240MeV/c, Beta 42cm



Phase IV, Solenoid mode, TRD data, 240MeV/c, Beta 42cm



Phase IV, Flip mode, TRD data, 240MeV/c, Beta 42cm



Phase IV, Flip mode, TRD data, 240MeV/c, Beta 42cm

