

Figure 1 - ECON-D Block Diagram

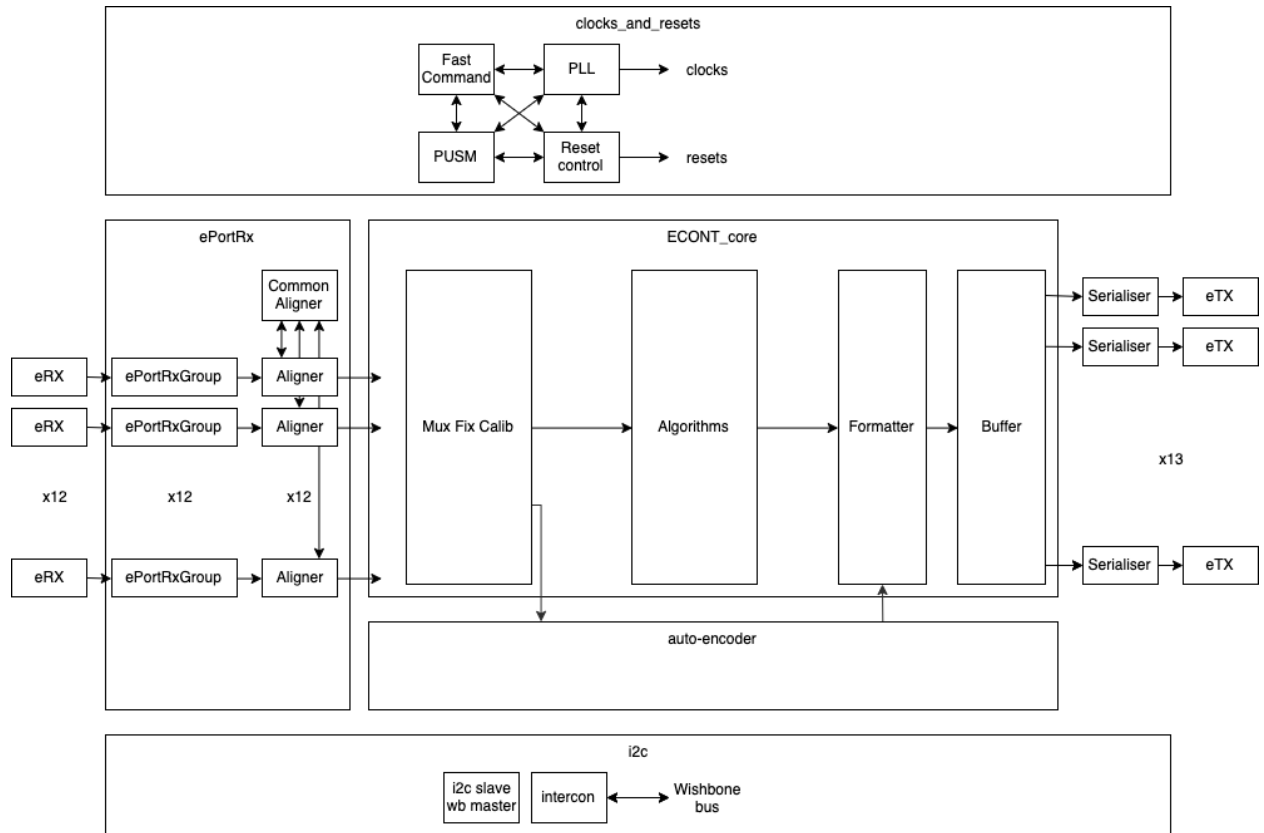


Figure 2 - ECON-T Block Diagram