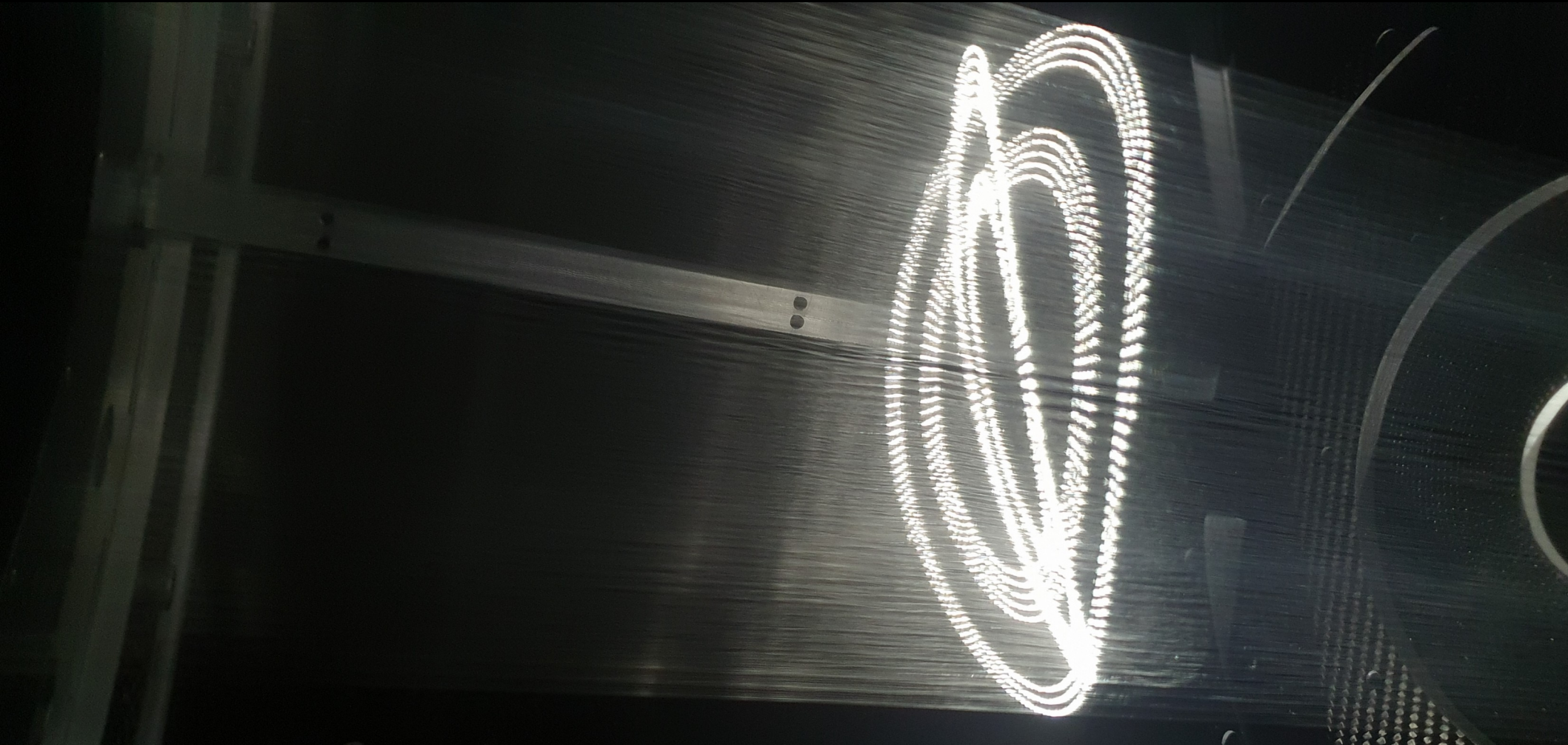
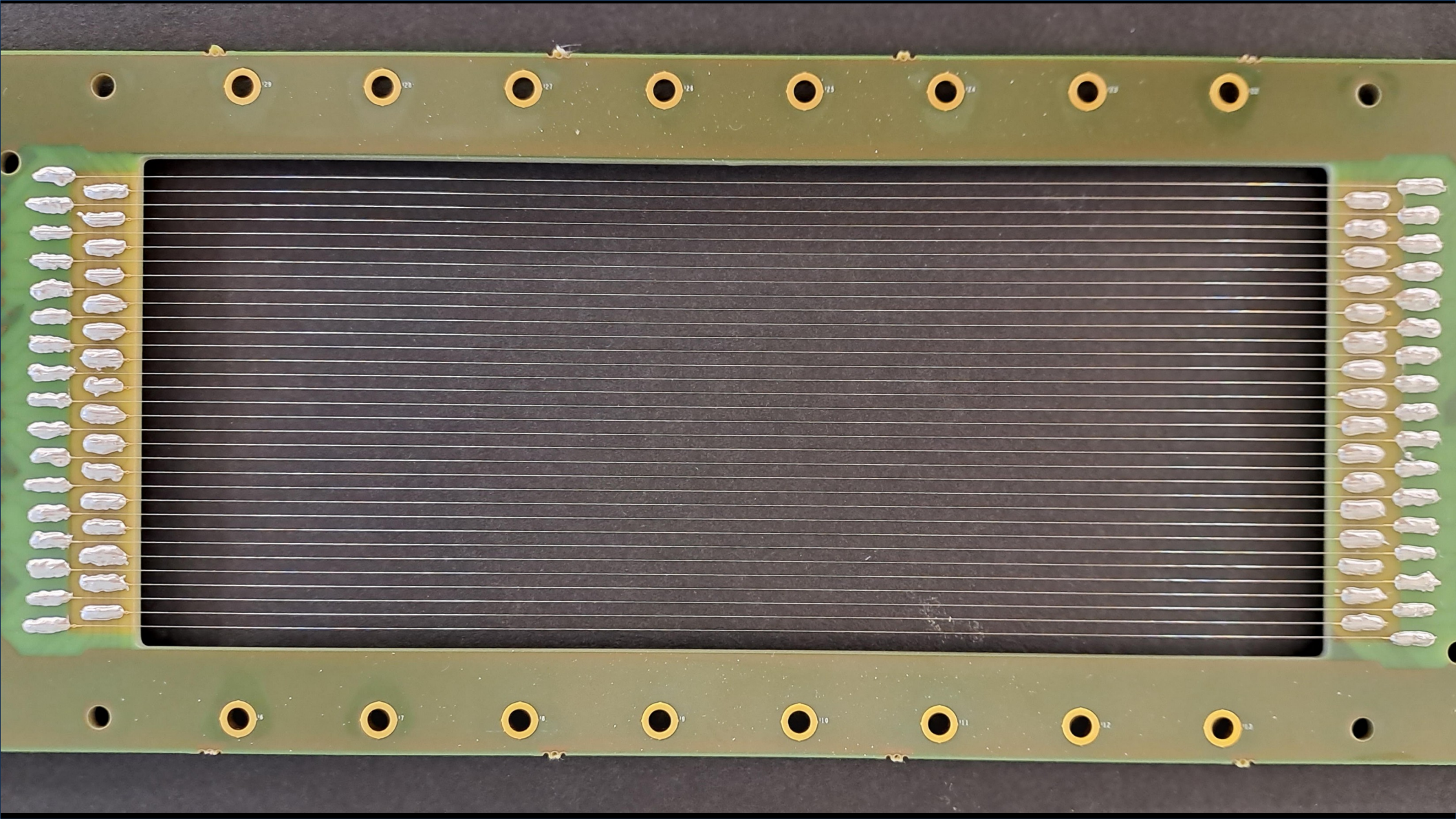


Manufacturing Technics of Wire based Detectors



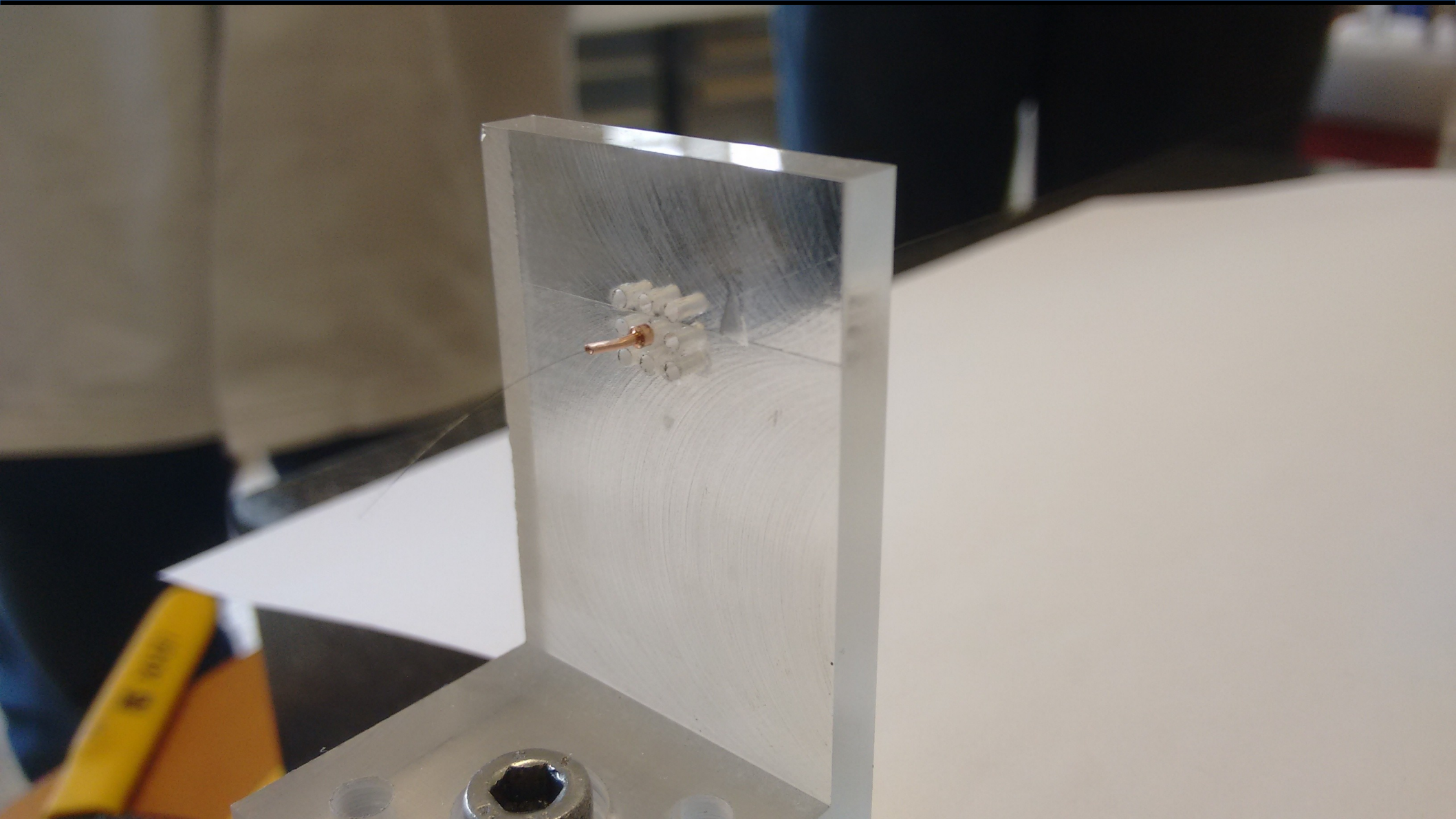
Gabriel Charles, CNRS

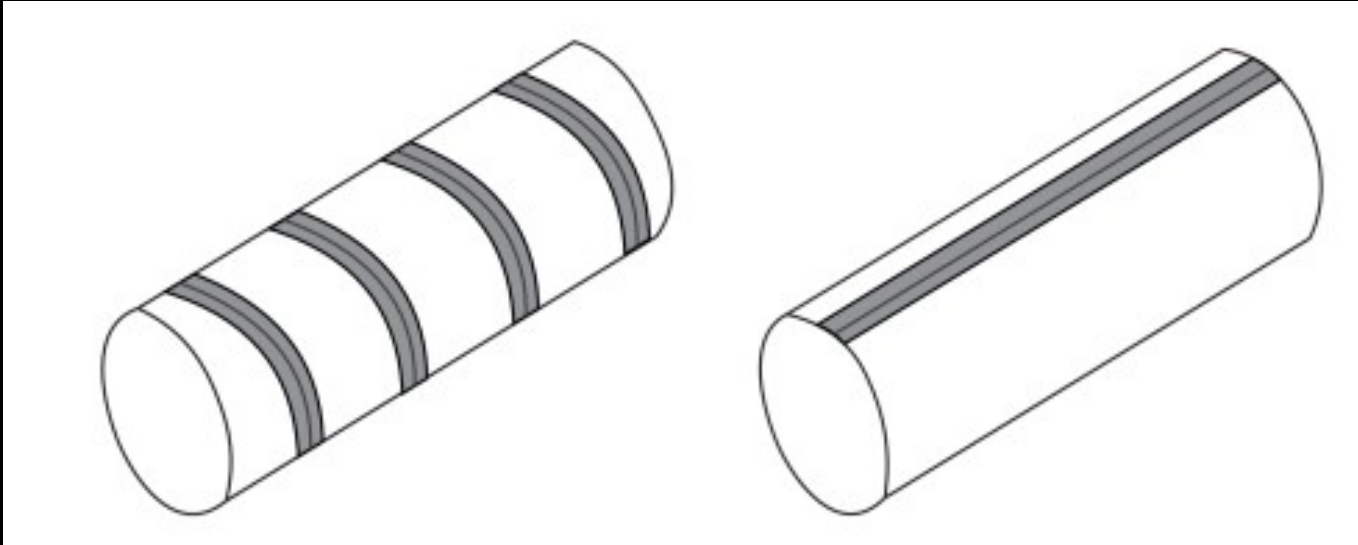












N.Tsverava et al., Development and property study of extremely thin 12 μm -type straw tubes with 5 mm diameter for a Straw Tracker System of COMET, arxiv:2403.18097v2

