

Vacuum SBA status

YETS 2023-2024

12 March 2024

Philippe BOISSEAUX-BOURGEOIS

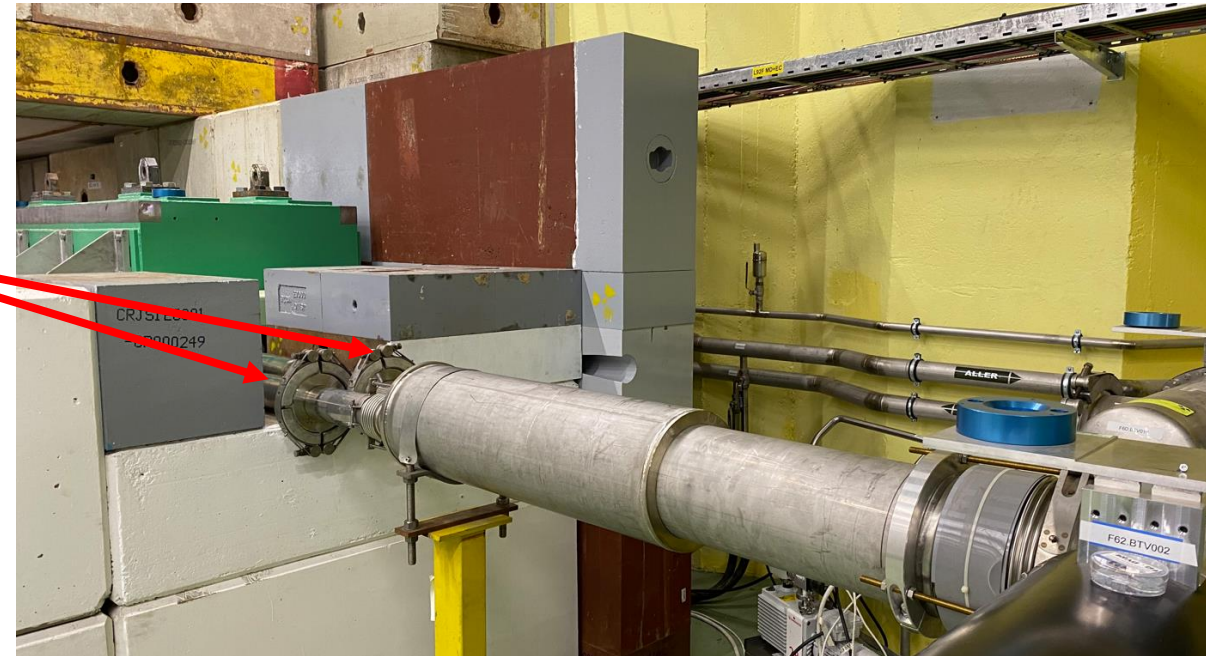
Vacuum SBA status – East Area

Maintenance of pumping group finished 100% in East Area

- Oil replacement of the pump
- Verification of the vacuum level of the pump
- Verification of the devices on pumping group (electrovalves, manuel valve, gauge)

Modification of Y chamber in F62 around the shielding

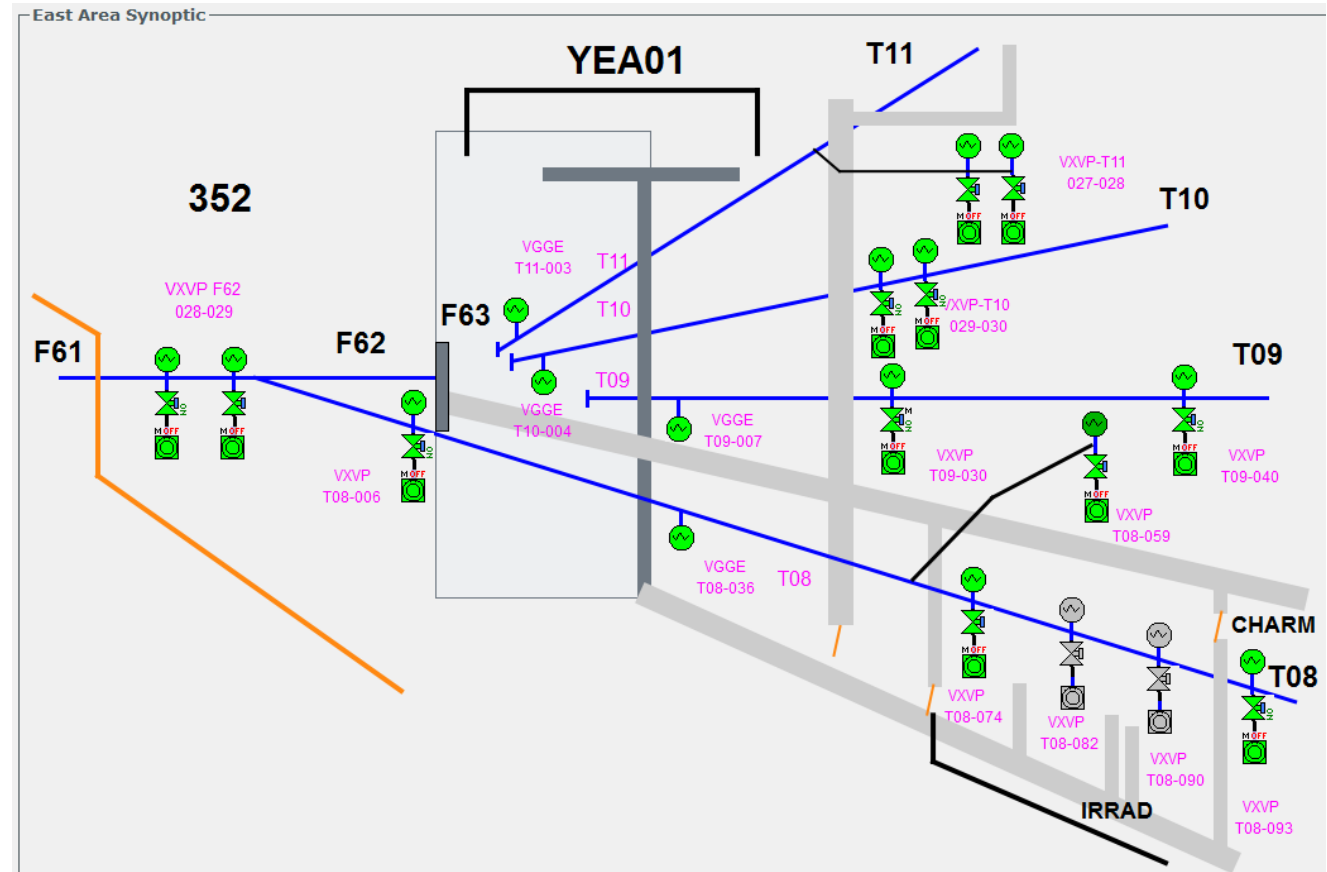
- Flanges added on the both small vacuum chamber
- in case of issue, give the possibility to exchange the chambers without the removal of shielding



Vacuum SBA status – East Area

Vacuum status in the beam line

- All ok and ready for the beam
- Vacuum level between 2×10^{-2} and 10^{-3} mbar



Vacuum SBA status – North Area

Maintenance of pumping group almost finished 100% in North Area

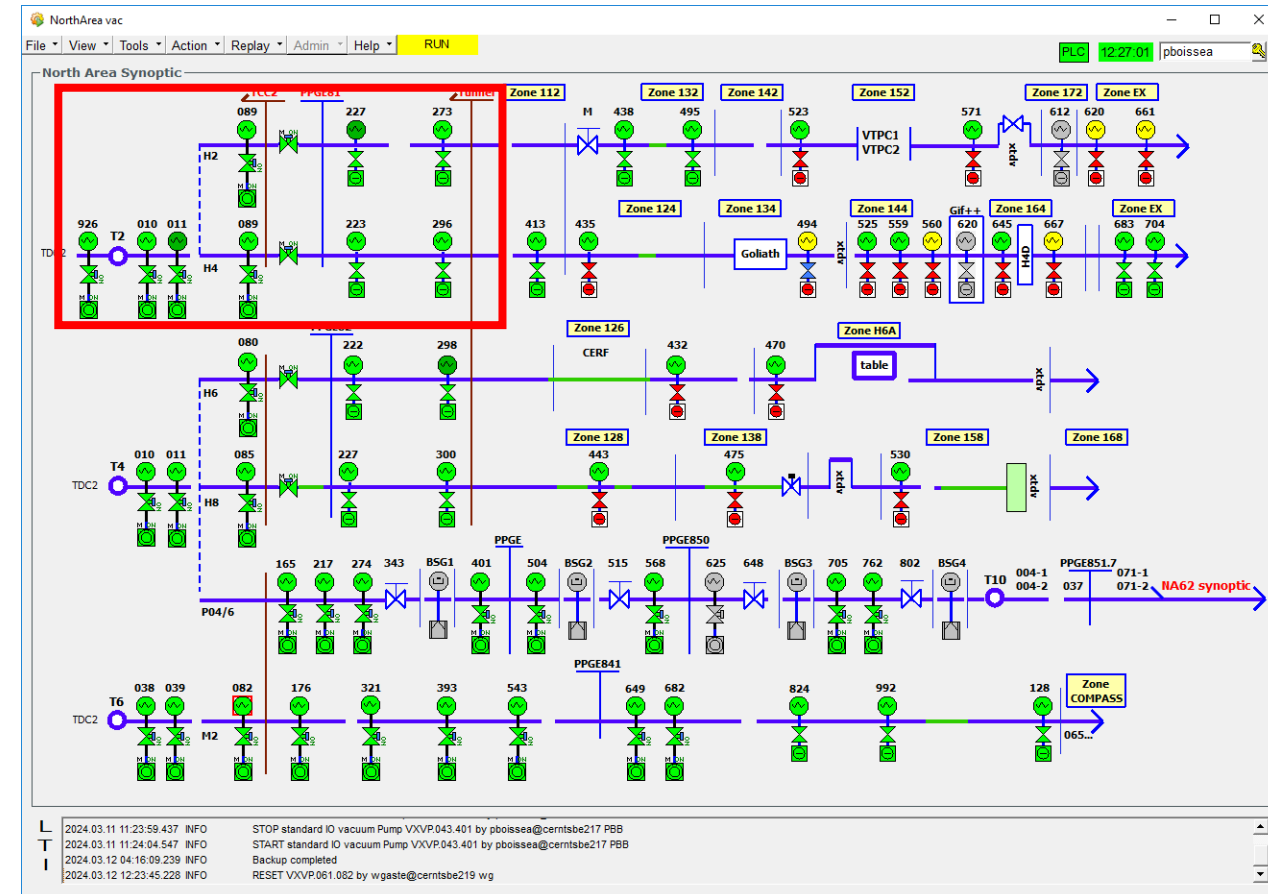
- Oil replacement of the pump
- Verification of the vacuum level of the pump
- Verification of the devices on pumping group (electrovalves, manuel valve, gauge)



Vacuum SBA status – North Area

Vacuum status in the beam lines H2 and H4 (before EHN1)

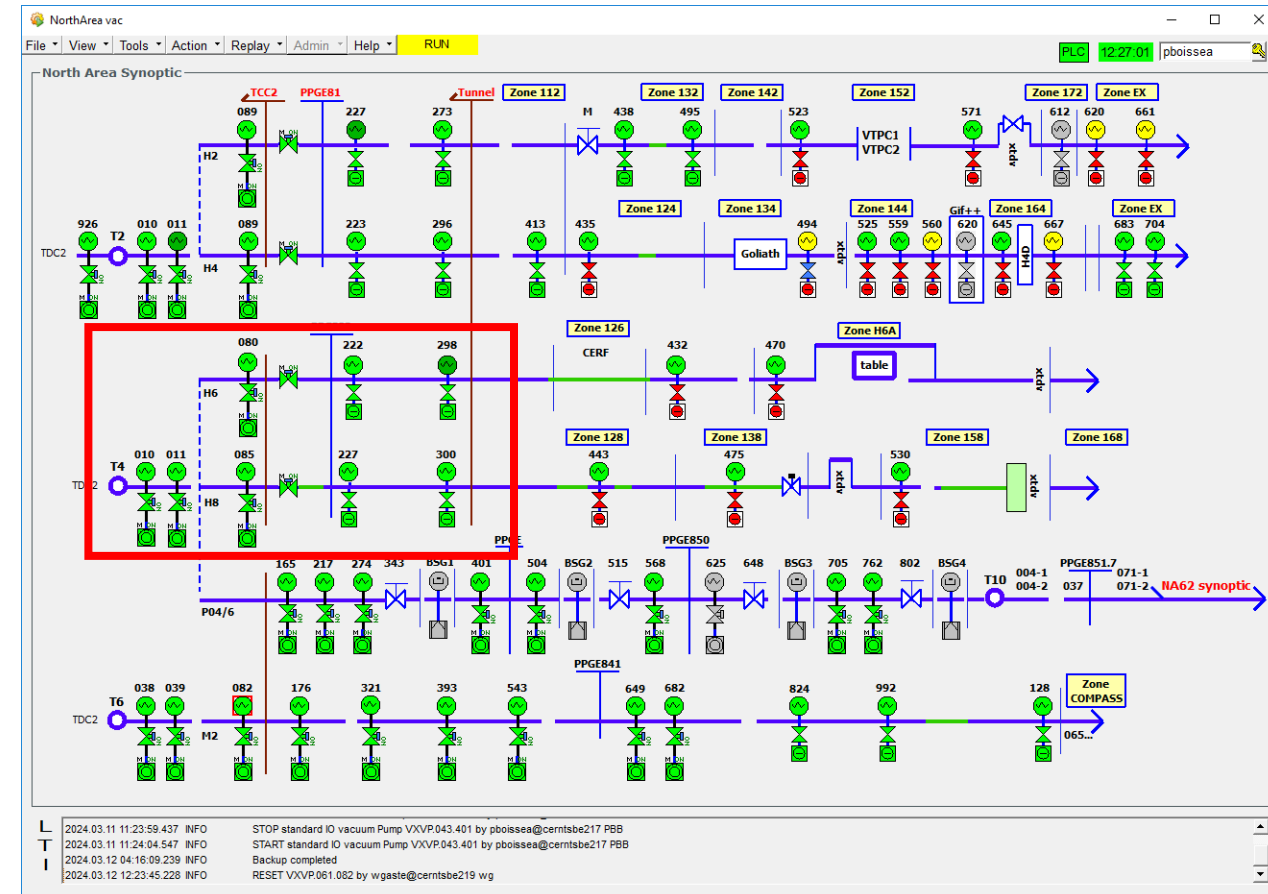
- TCC2 and TT81:
- All ok
- Vacuum level between 3×10^{-2} and 10^{-3} mbar.



Vacuum SBA status – North Area

Vacuum status in the beam lines H6 and H8 (before EHN1)

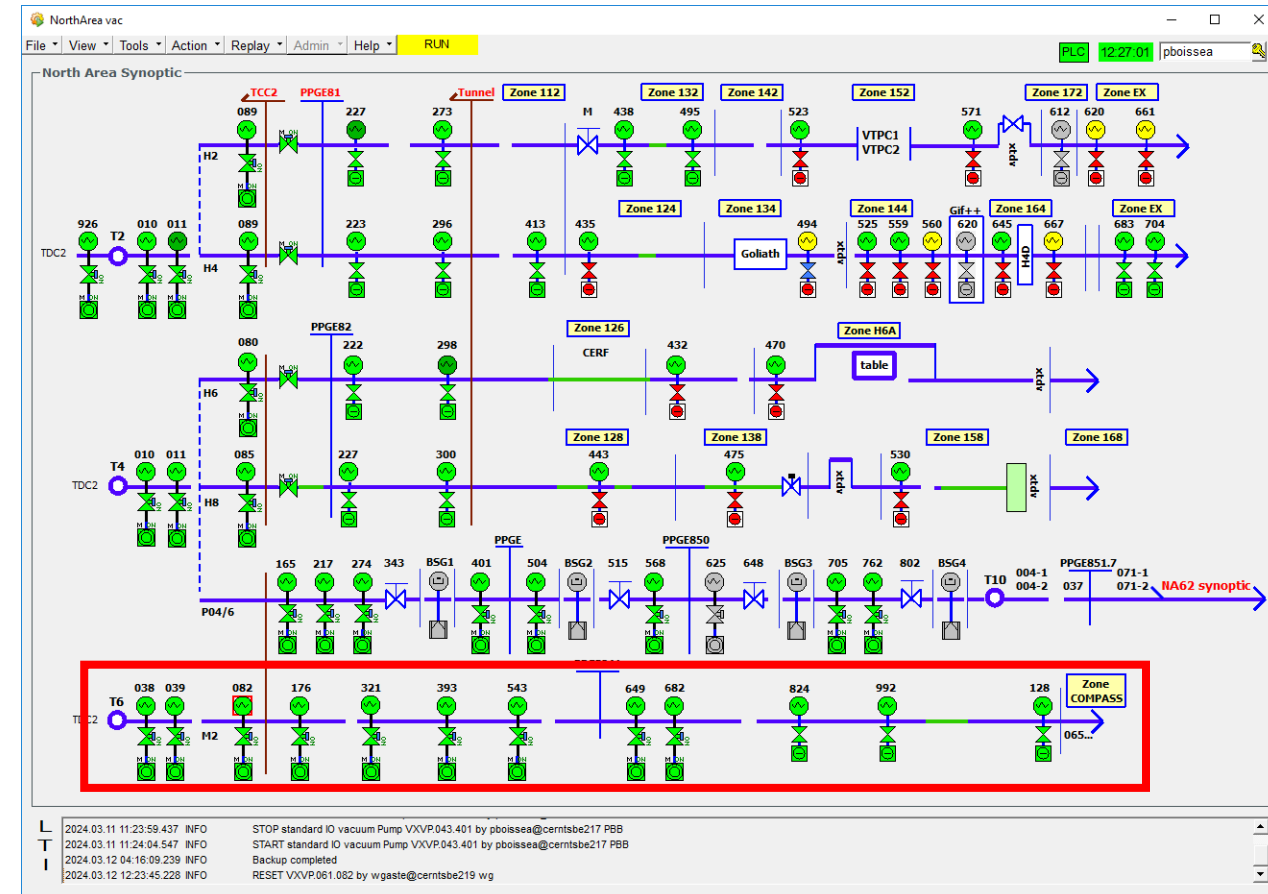
- TCC2 and TT82 :
- All ok
- Vacuum level between 2.5×10^{-2} and 10^{-3} mbar.



Vacuum SBA status – North Area

Vacuum status in the beam lines M2

- **TCC2 :**
 - **One issue between in the first sector of M2 between the beginning and the position 102. The vacuum level around 4.8×10^{-1} mbar. Leak test is on-going.**
- **TT83 and TT84 :**
- **All ok for the rest**
- **Vacuum level between 5×10^{-2} and 10^{-3} mbar.**

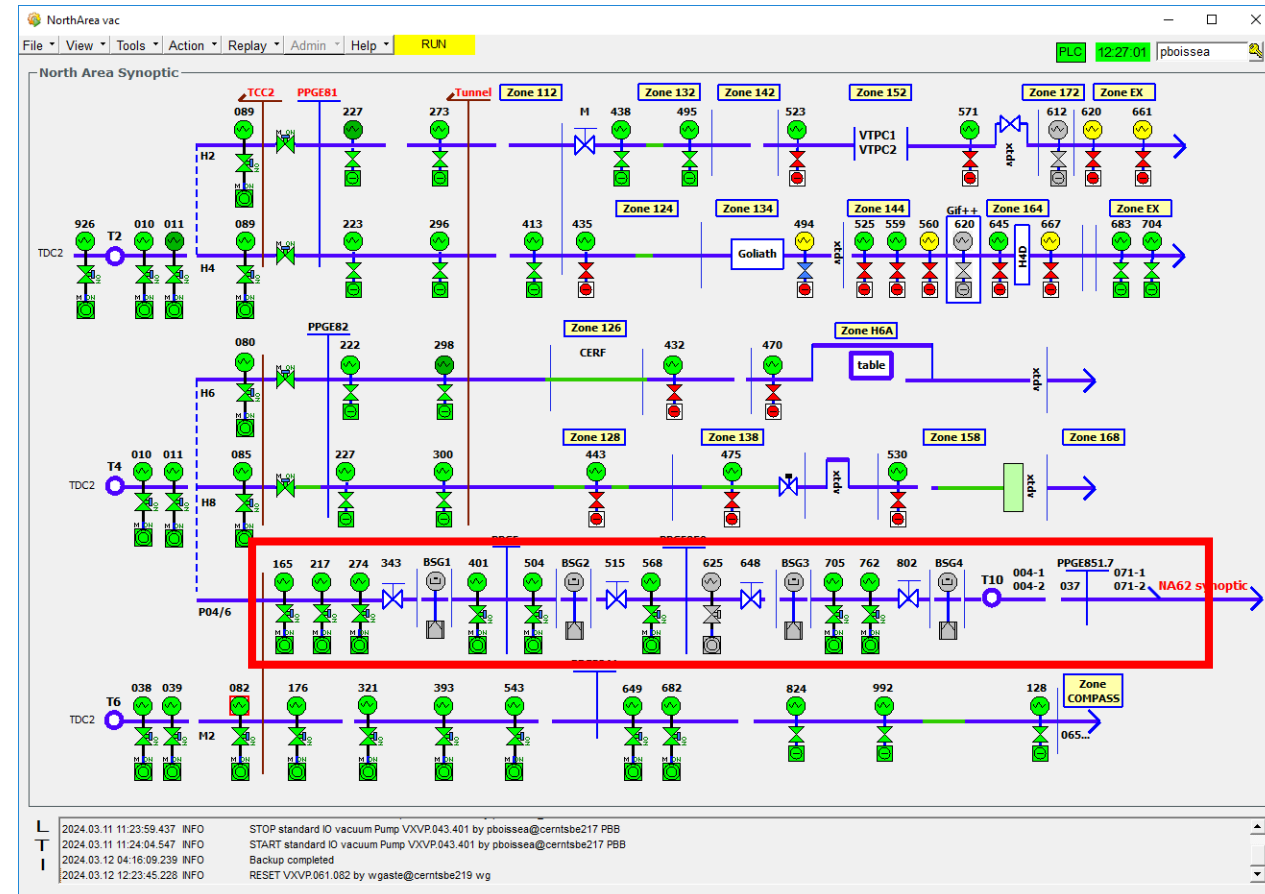


Vacuum SBA status – North Area

Vacuum status in the beam lines P42

- TCC2 :
- All ok
- TT83 and TT85 :
- All ok
- For the run 2024, the BSG will working under primary vacuum. (sectorization and ion pumps are removed)

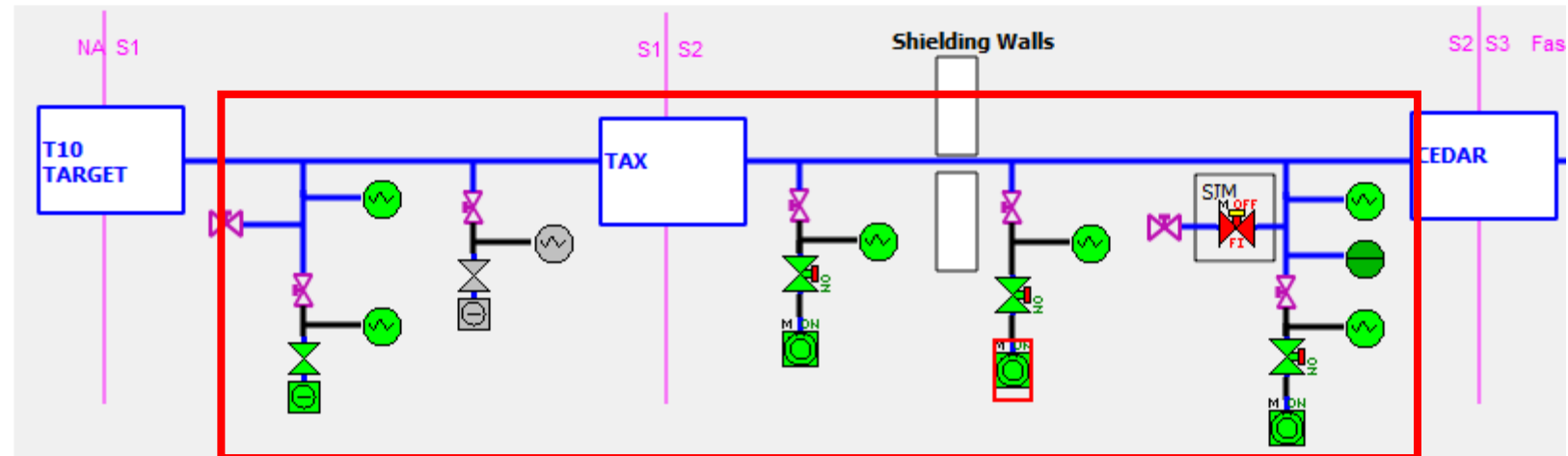
Vacuum level between 5×10^{-2} and 10^{-3} mbar.



Vacuum SBA status – North Area

Vacuum status in the beam line K12

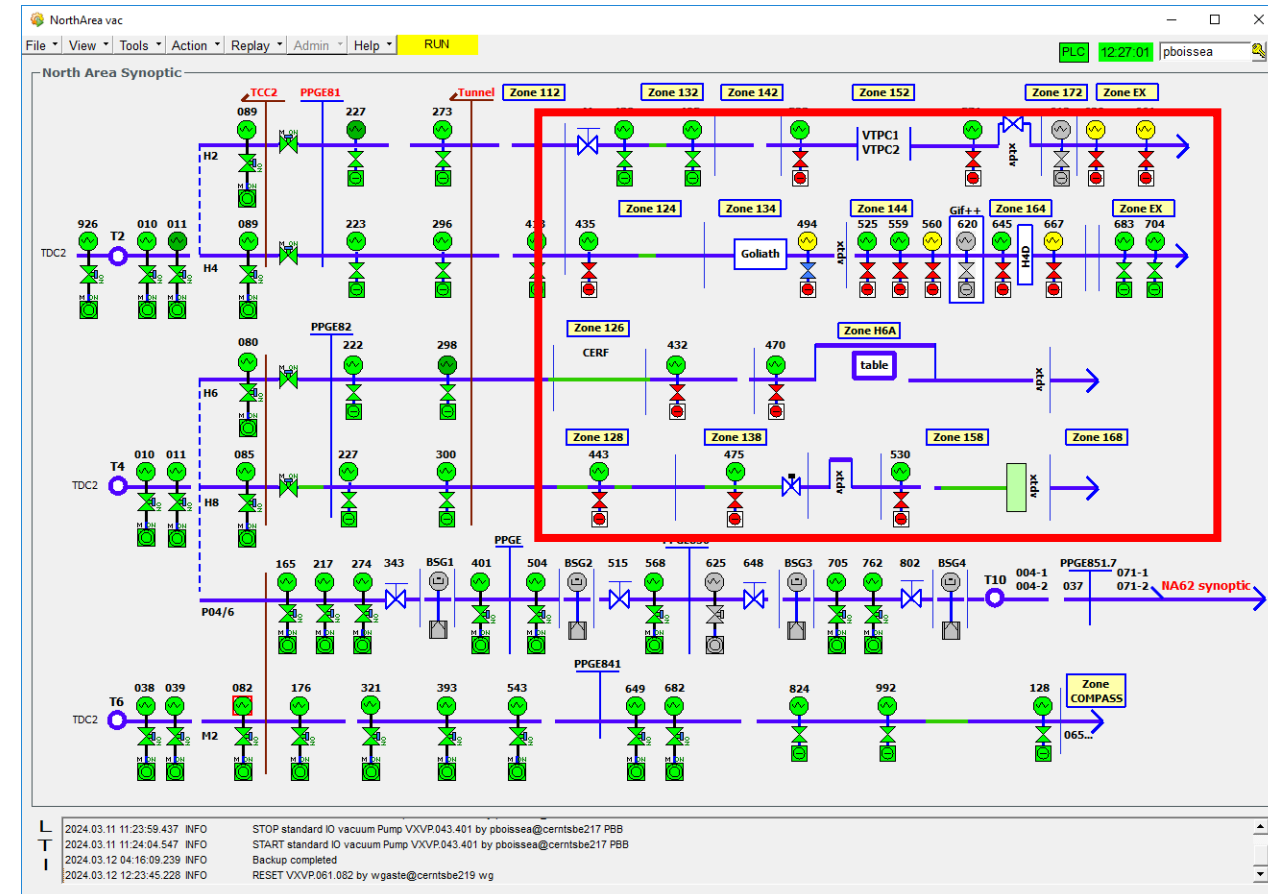
- TCC8 and TCC8 (ECN3) side :
- All ok for the maintenance
- Ready for start the pumping (end of this week).

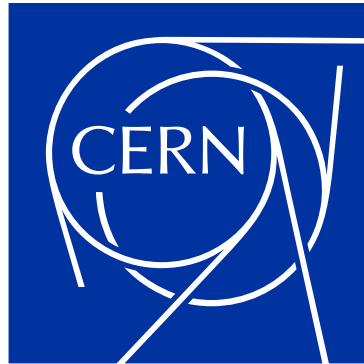


Vacuum maintenance SBA status

Vacuum status in the beam lines in EHN1

- Maintenance fully done.
- Ready for start the pumping (next week).
- H4 VLE already under vacuum





<https://cern.ch/be-dep-ea>