

International
Muon Collider
Collaboration

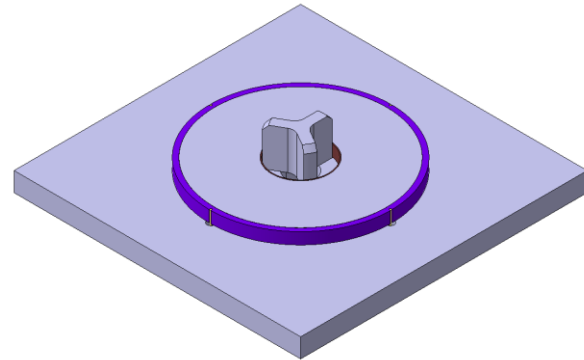
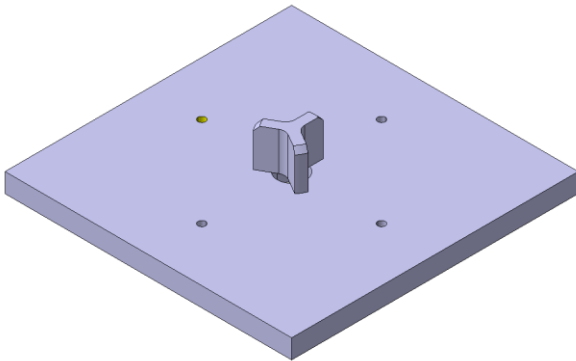
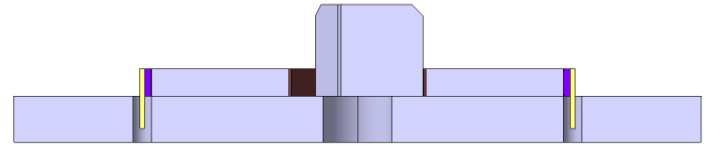
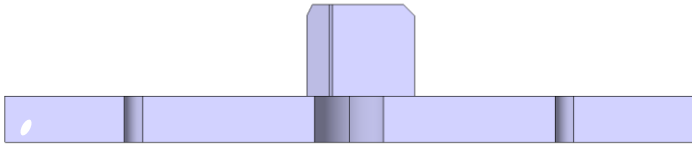
Pancake assembly



F. Sanda
Final cooling solenoid meeting
26/04/2024

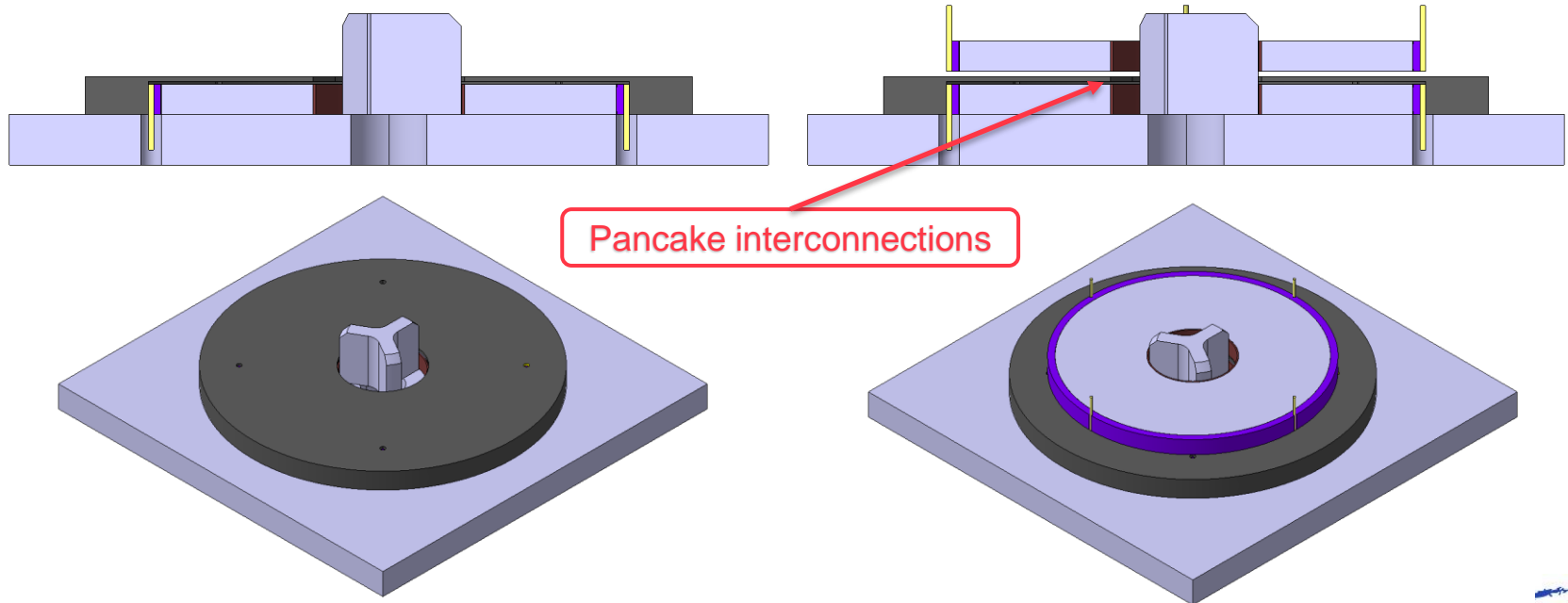
Pancake assembly sequence

Assembly sequence acc. to the idea of B. Bordini



Pancake assembly sequence

Assembly sequence acc. to the idea of B. Bordini

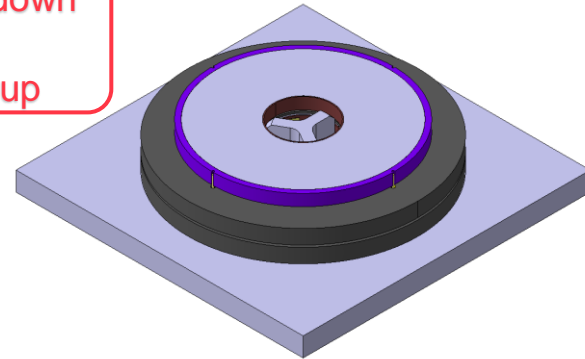
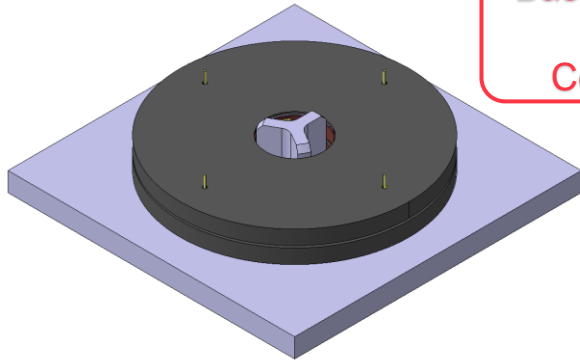


Pancake assembly sequence

Assembly sequence acc. to the idea of

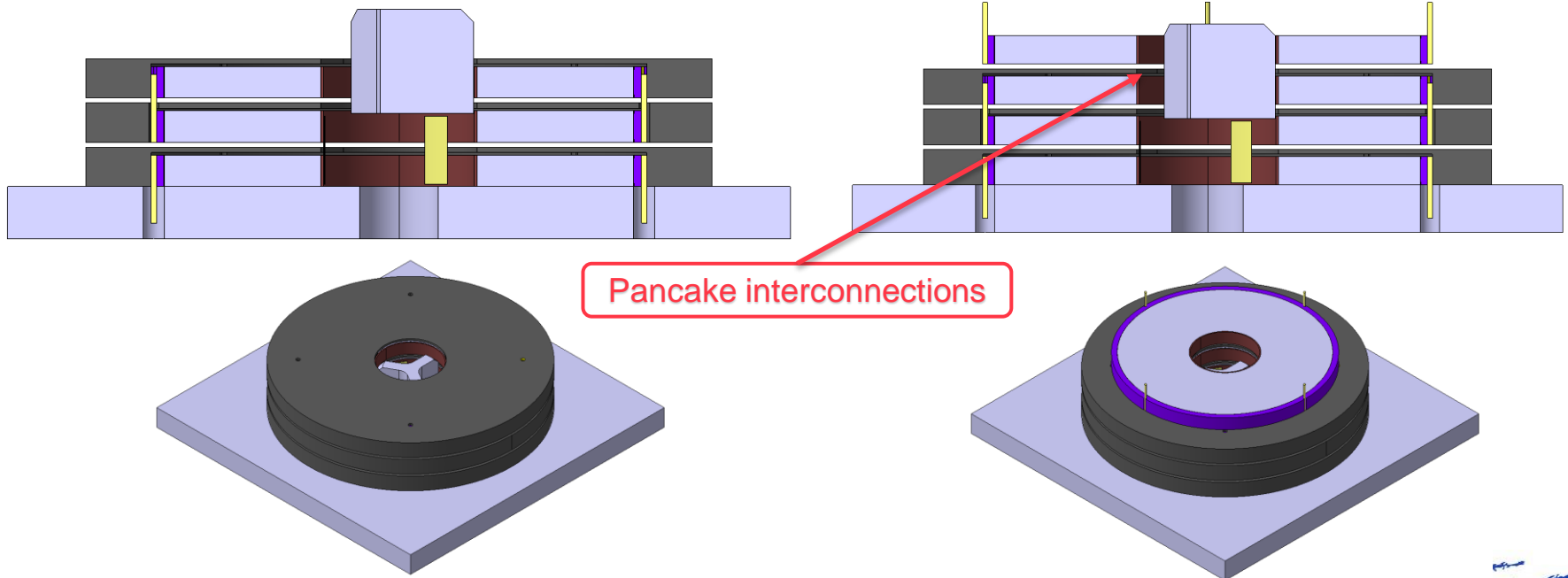


Base plate lowered down
or
Central pin raised up



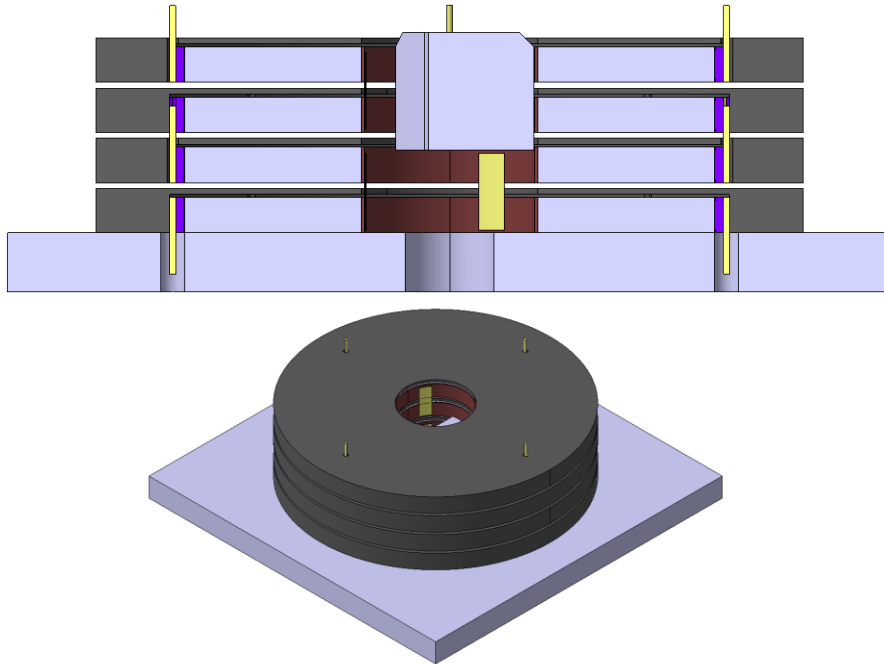
Pancake assembly sequence

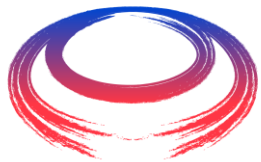
Assembly sequence acc. to the idea of B.



Pancake assembly sequence

Assembly sequence acc. to the idea of B. Bordini





International
UON Collider
Collaboration



***Thank you
for your attention!
Your questions please?***