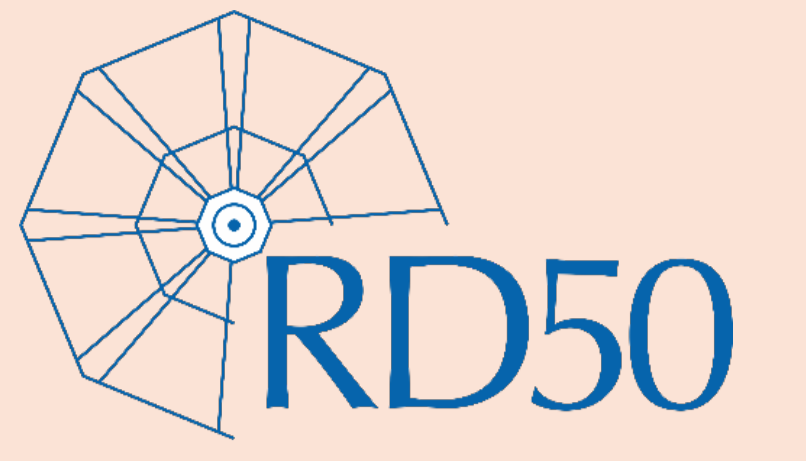




EP R&D

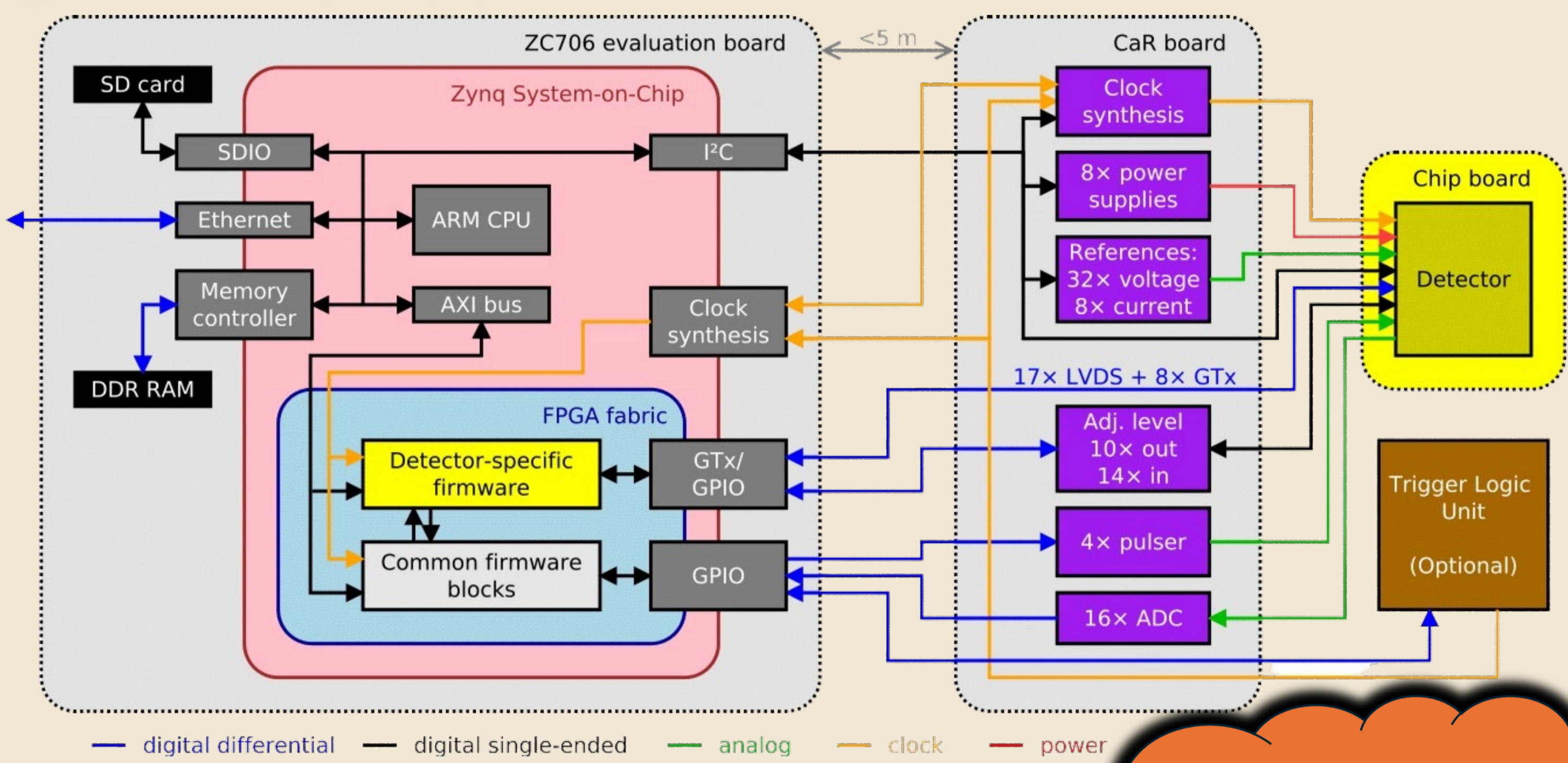
Caribou - A Versatile Data Acquisition System for Silicon Pixel Detectors Prototyping



Y.Otarid¹, M. Benoit², E. Buschmann³, H. Chen³, D. Dannheim¹, M. Pijacki⁴, S. Spannagel⁵, S. Tang³, T. Vanat⁵

¹CERN, ²ORNL, ³BNL, ⁴Carleton University, ⁵DESY

System Architecture



Hardware System Upgrade

Mercury+ XU1 SoC Module
Zynq Ultrascale+ MPSoC

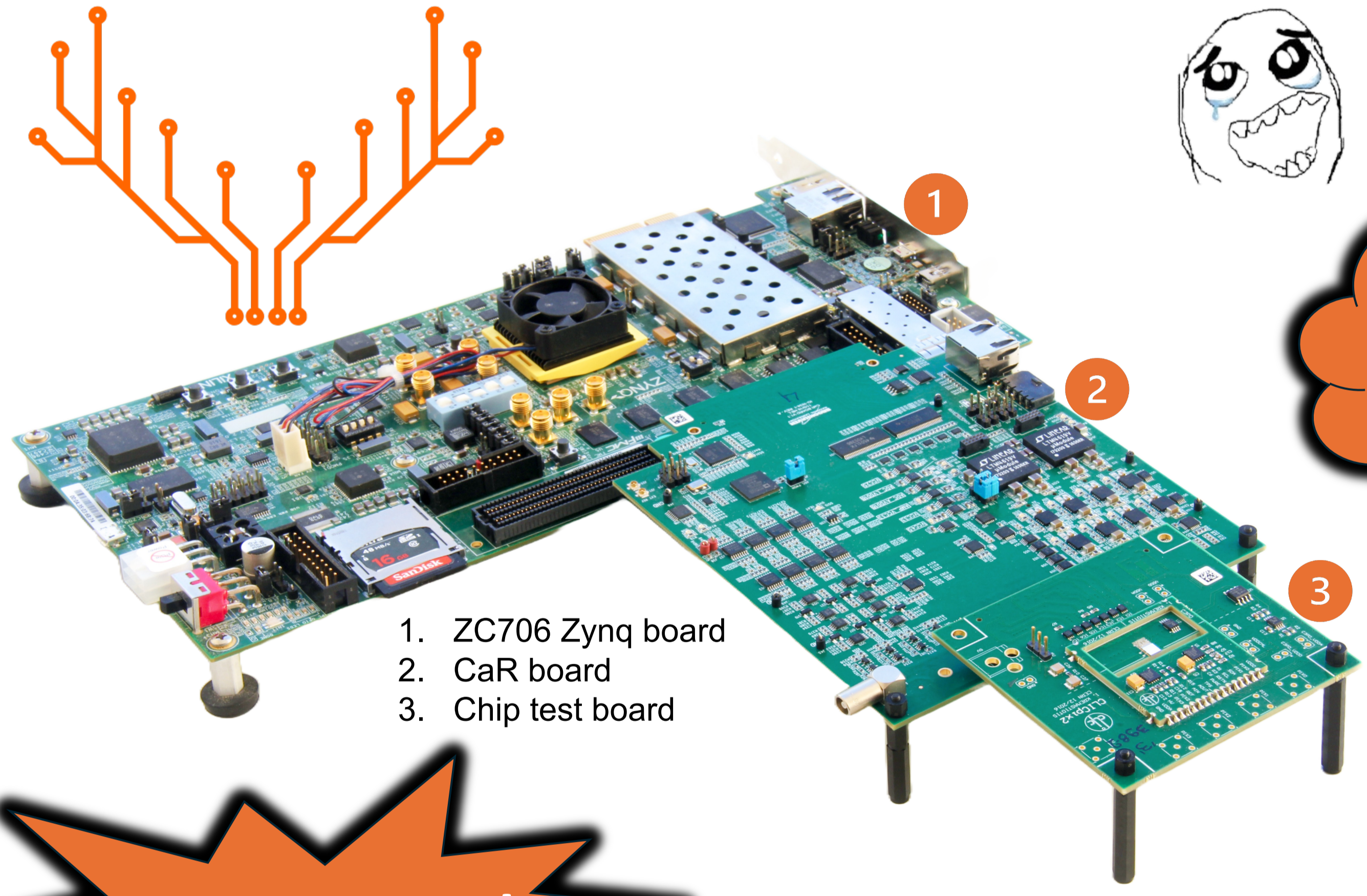
Zynq board and CaR board unified into modular CaR board

Single compact and modular CaR board

More features and processing resources

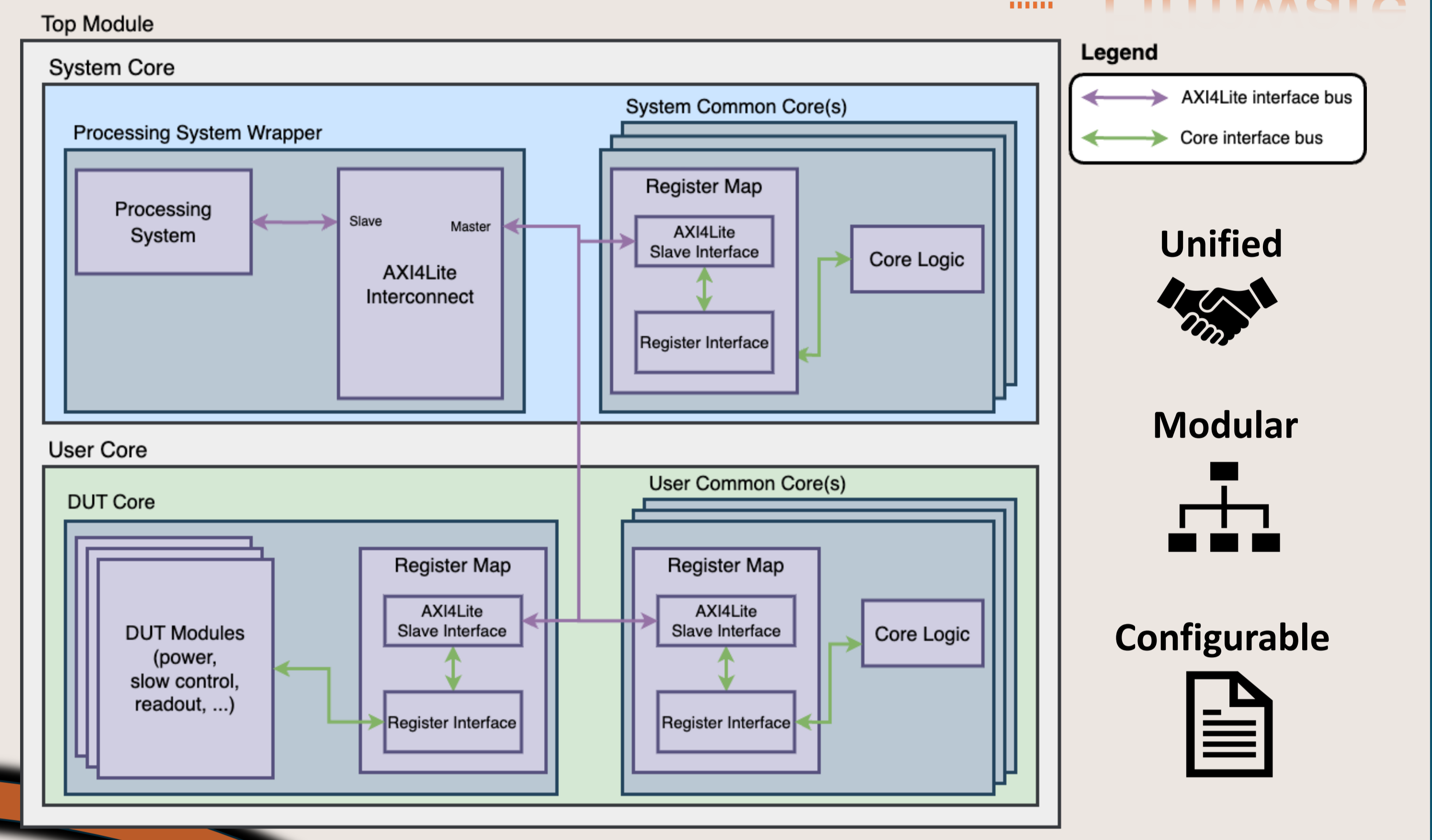
Design your chip board

Our motto: "Minimal work on the base test system development. Maximal focus on detector integration and testing"



Integrate and test your DUT

Firmware



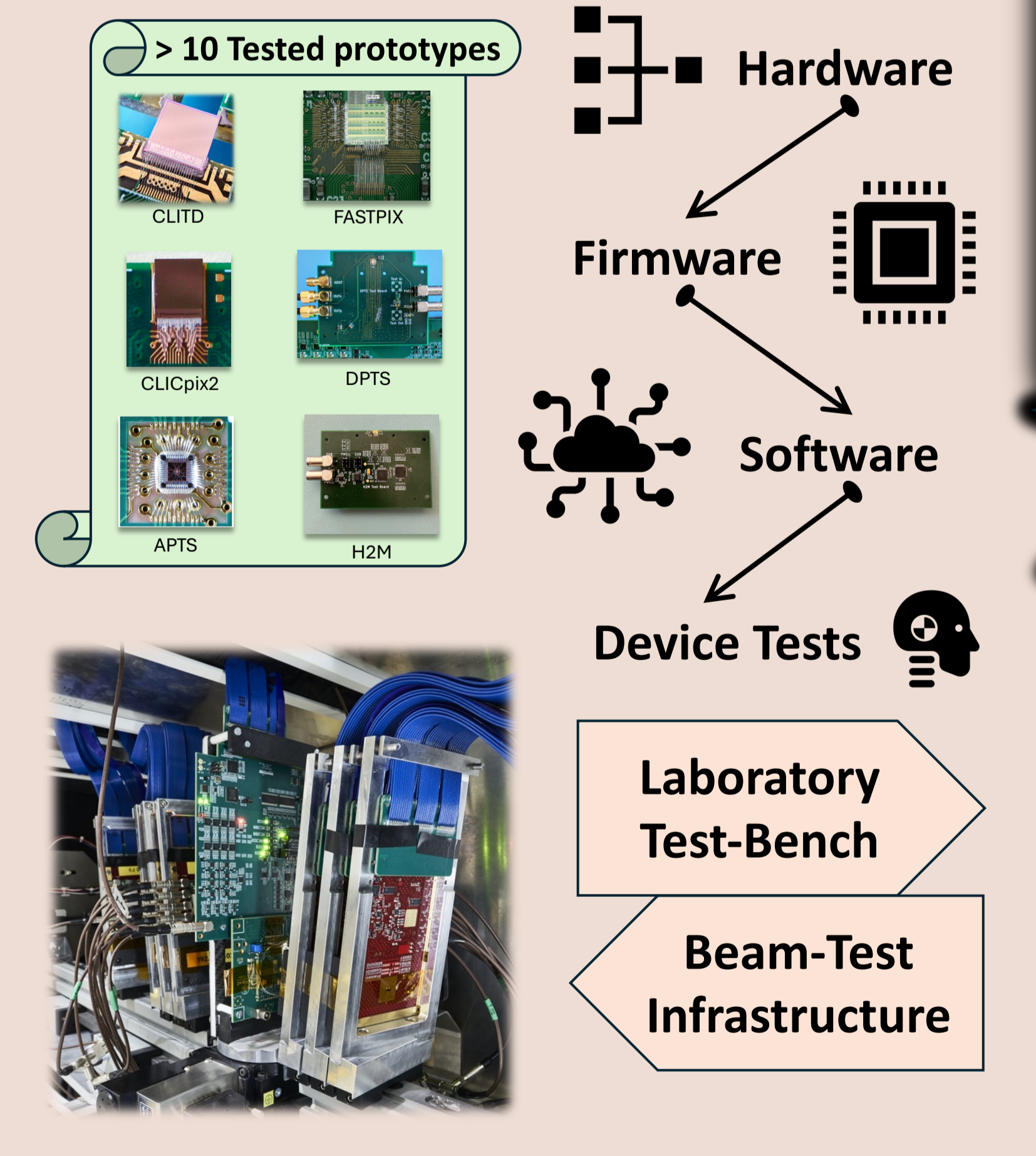
- Unified
- Modular
- Configurable



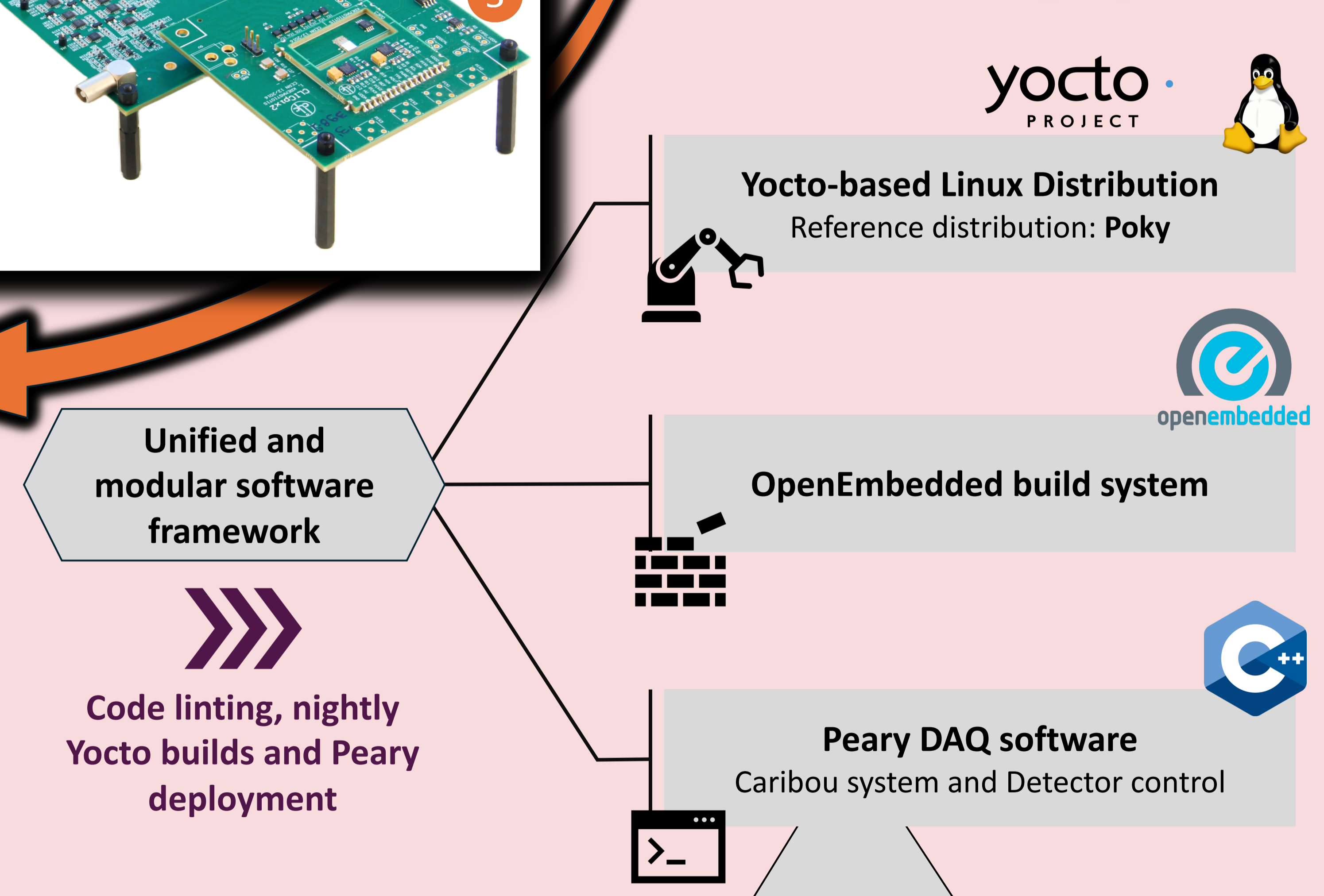
Vivado project management, code linting, simulation and building

Design your DAQ (fw+sw) interfaces

Integration & Testing



Software



Documentation

Access to Documentation, Publications, and Community platforms

<https://caribou-project.docs.cern.ch>

