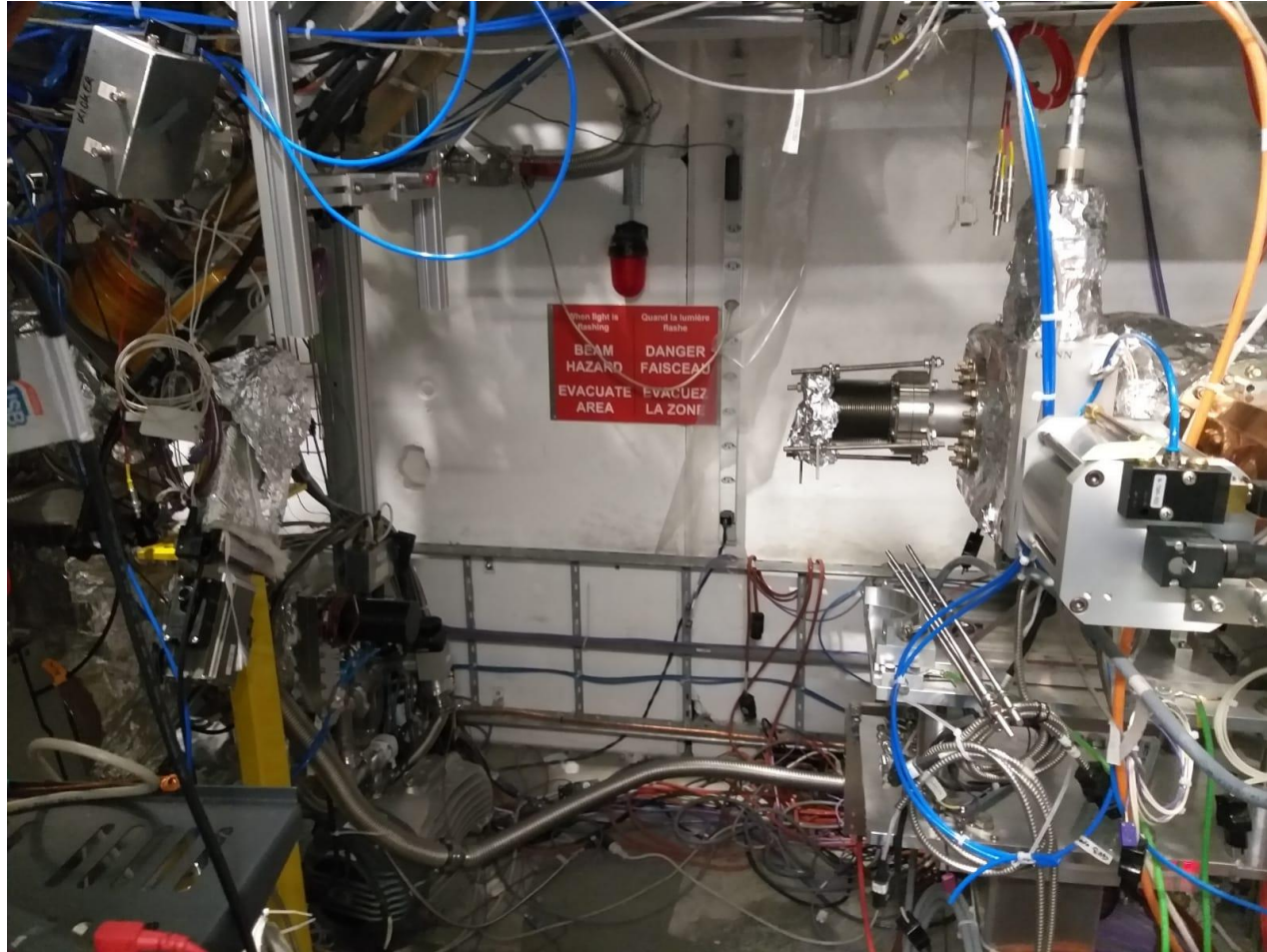


Beamline Status

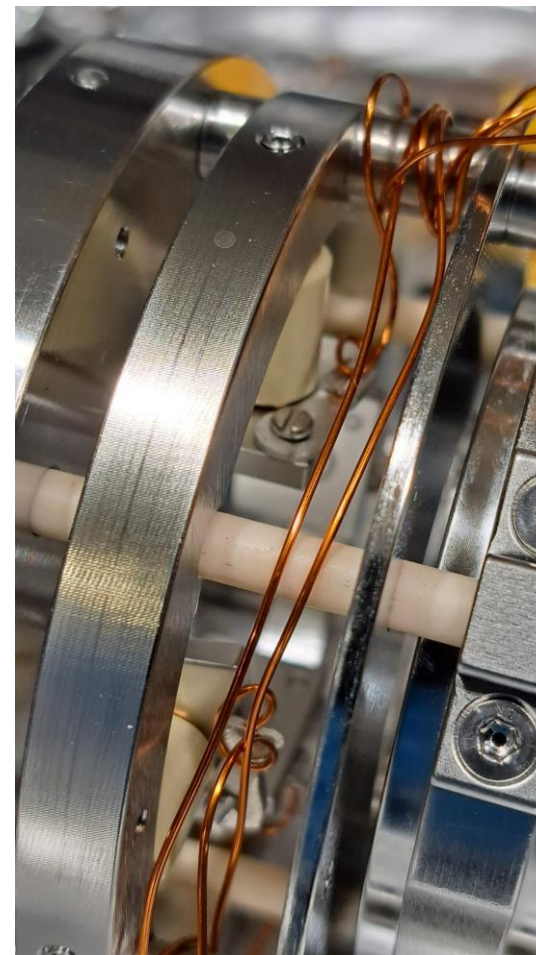
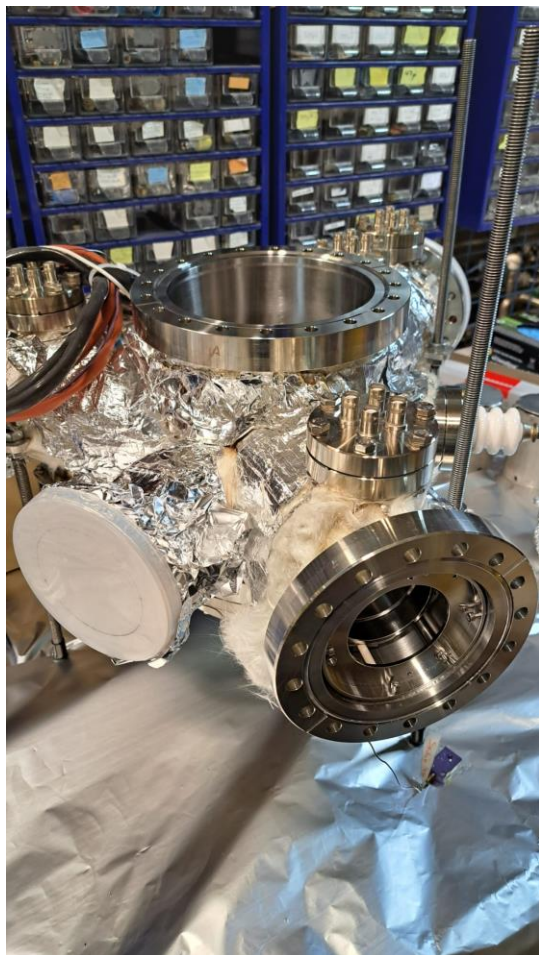
05.2024

Starship Chamber repairs



The chamber had to be removed from the beamline for re-cabling

Starship Chamber repairs



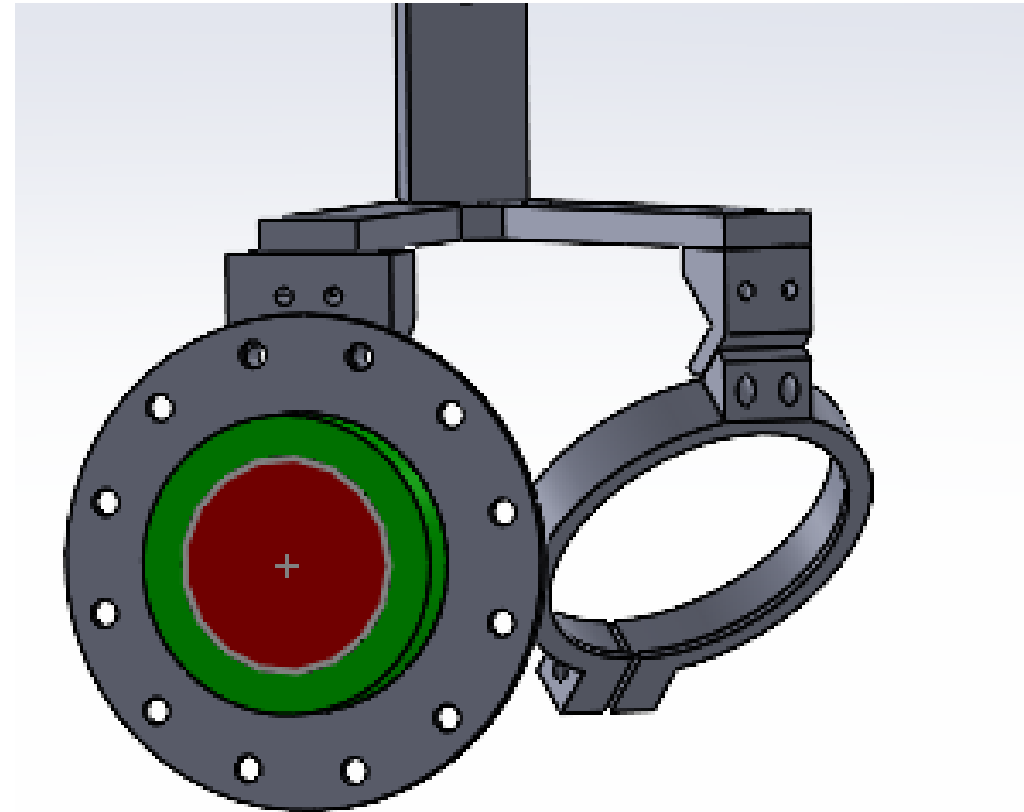
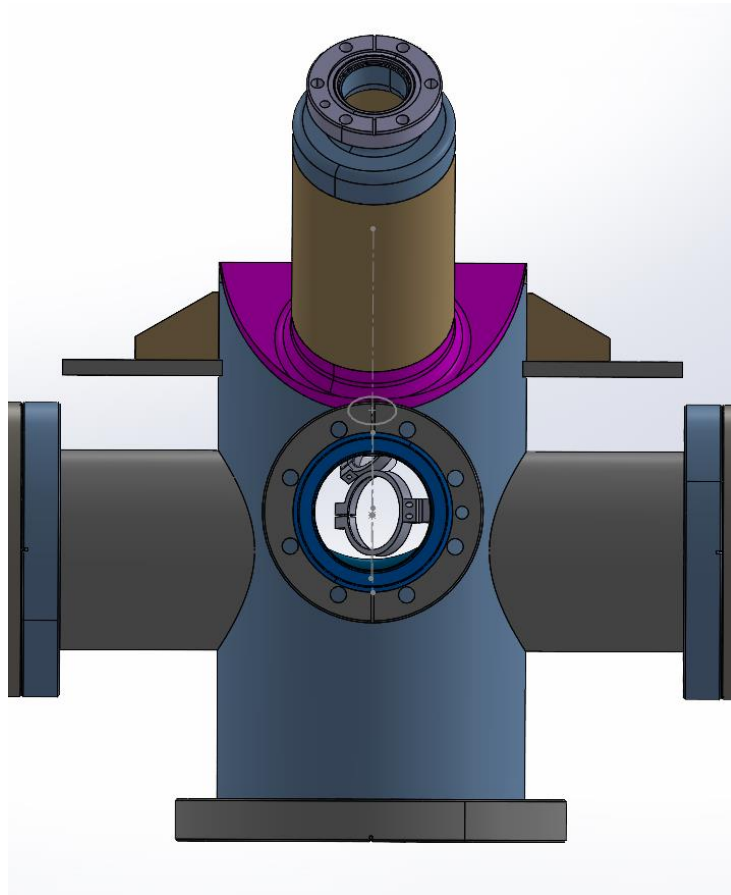
Adam, Mariusz, Lukasz

Starship Chamber repairs

- Electrodes were re-cabled
- Faulty connectors were exchanged
- Bench HiPot tests were satisfactory
- The chamber was reinstalled, pumped and baked, reaching 1.5×10^{-9} mBar
- All electrodes functional!

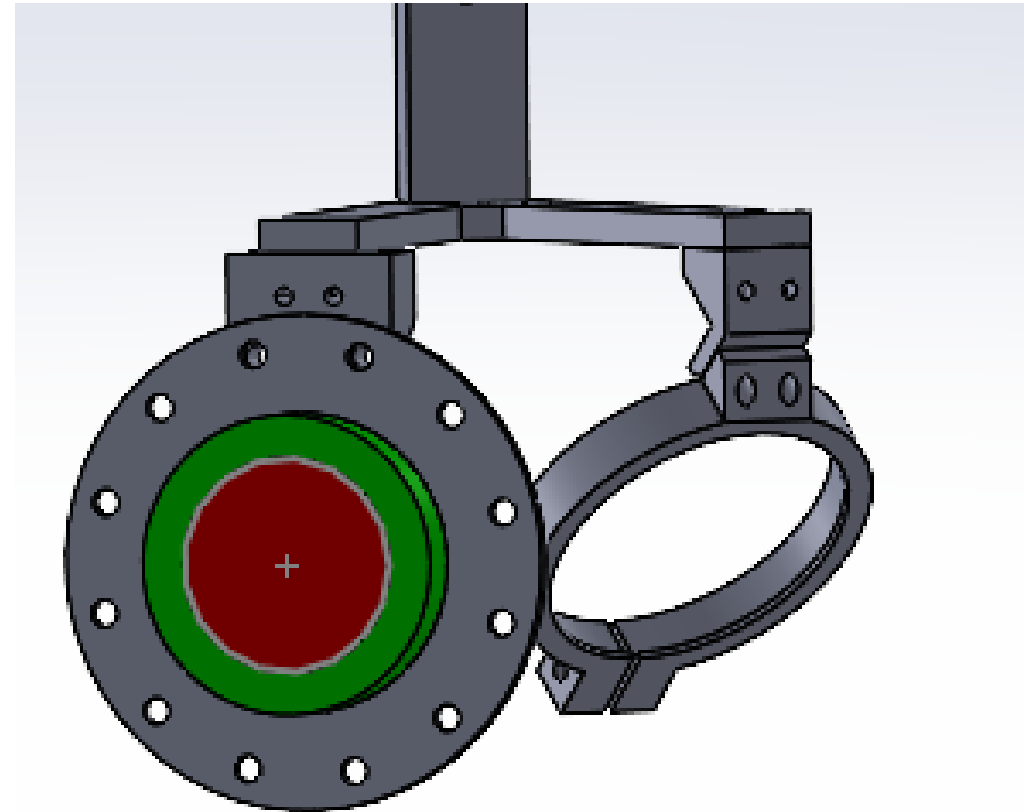
Detection system for the Hedgehog Chamber

Assembly of the rotation based detection/diagnostic system



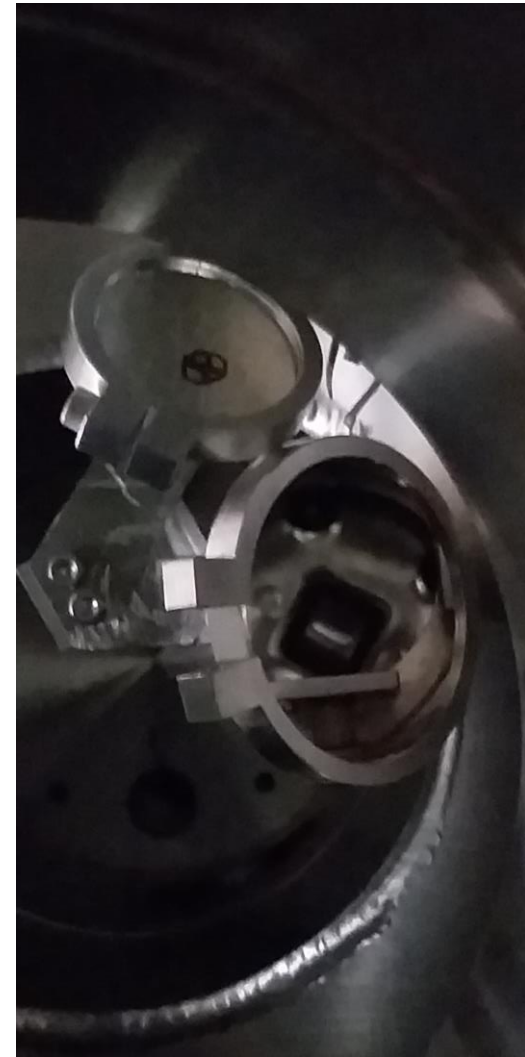
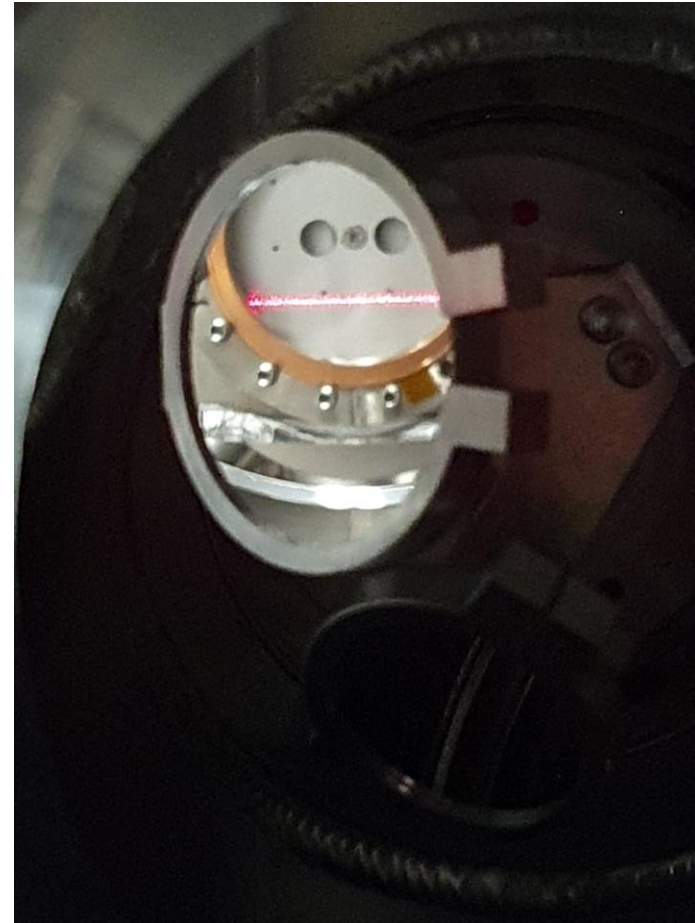
Detection system for the Hedgehog Chamber

Assembly of the rotation based detection/diagnostic system



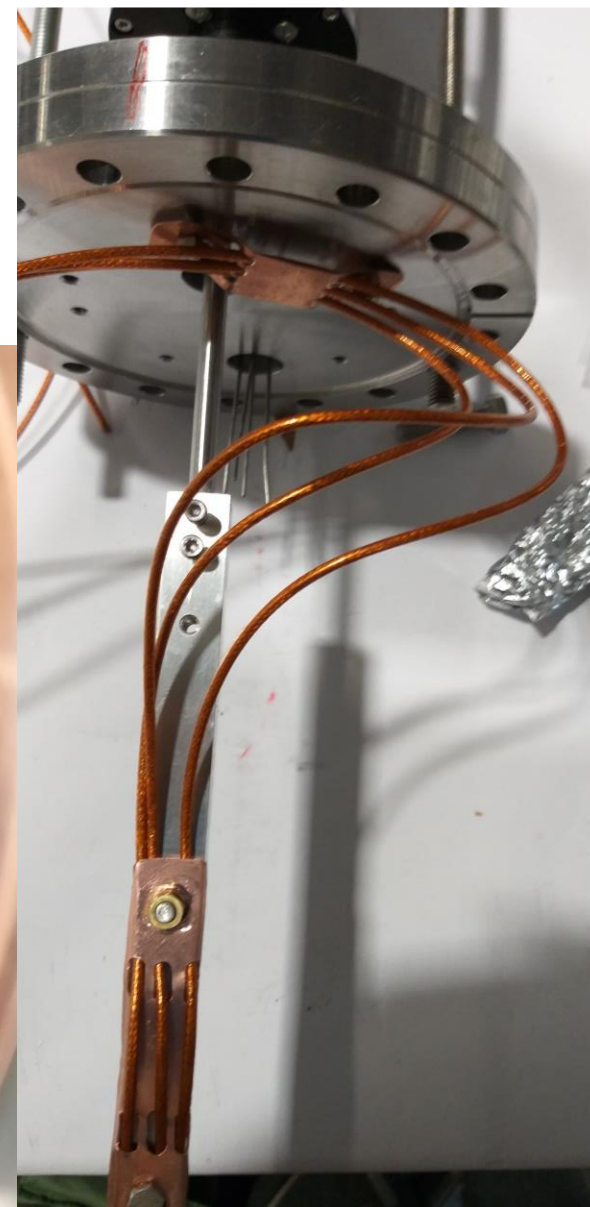
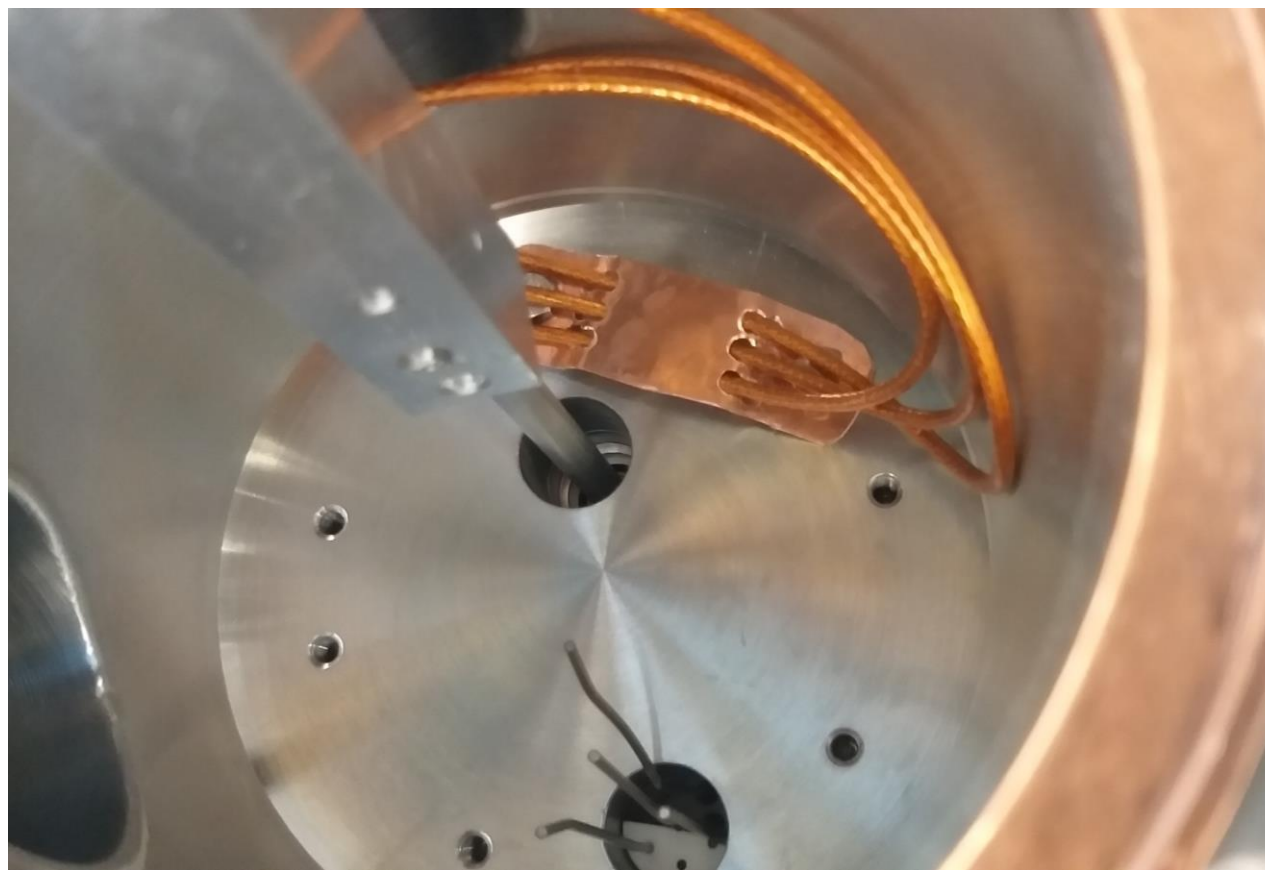
Detection system for the Hedgehog Chamber

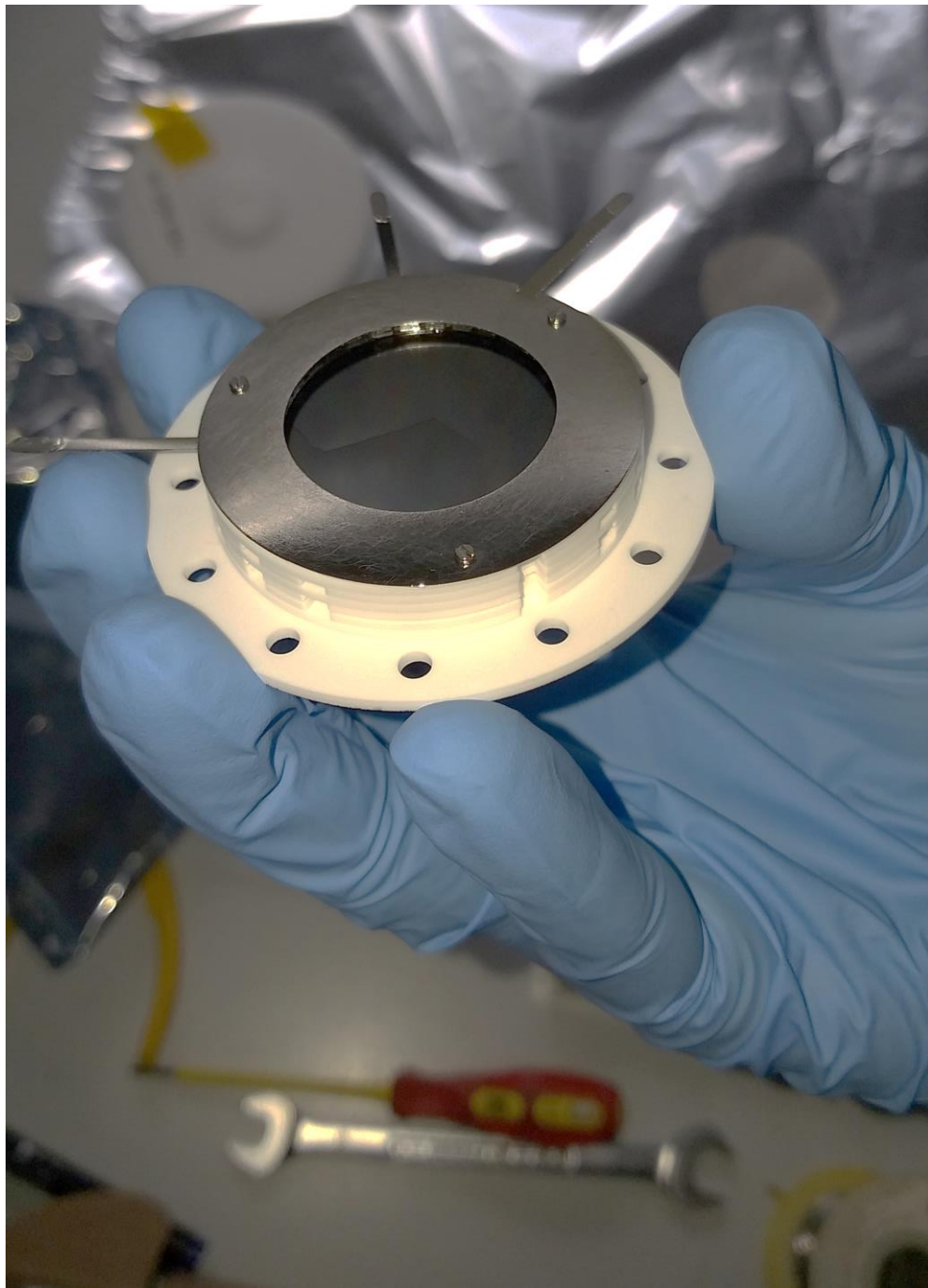
Testing of the device and Hedgehog modifications

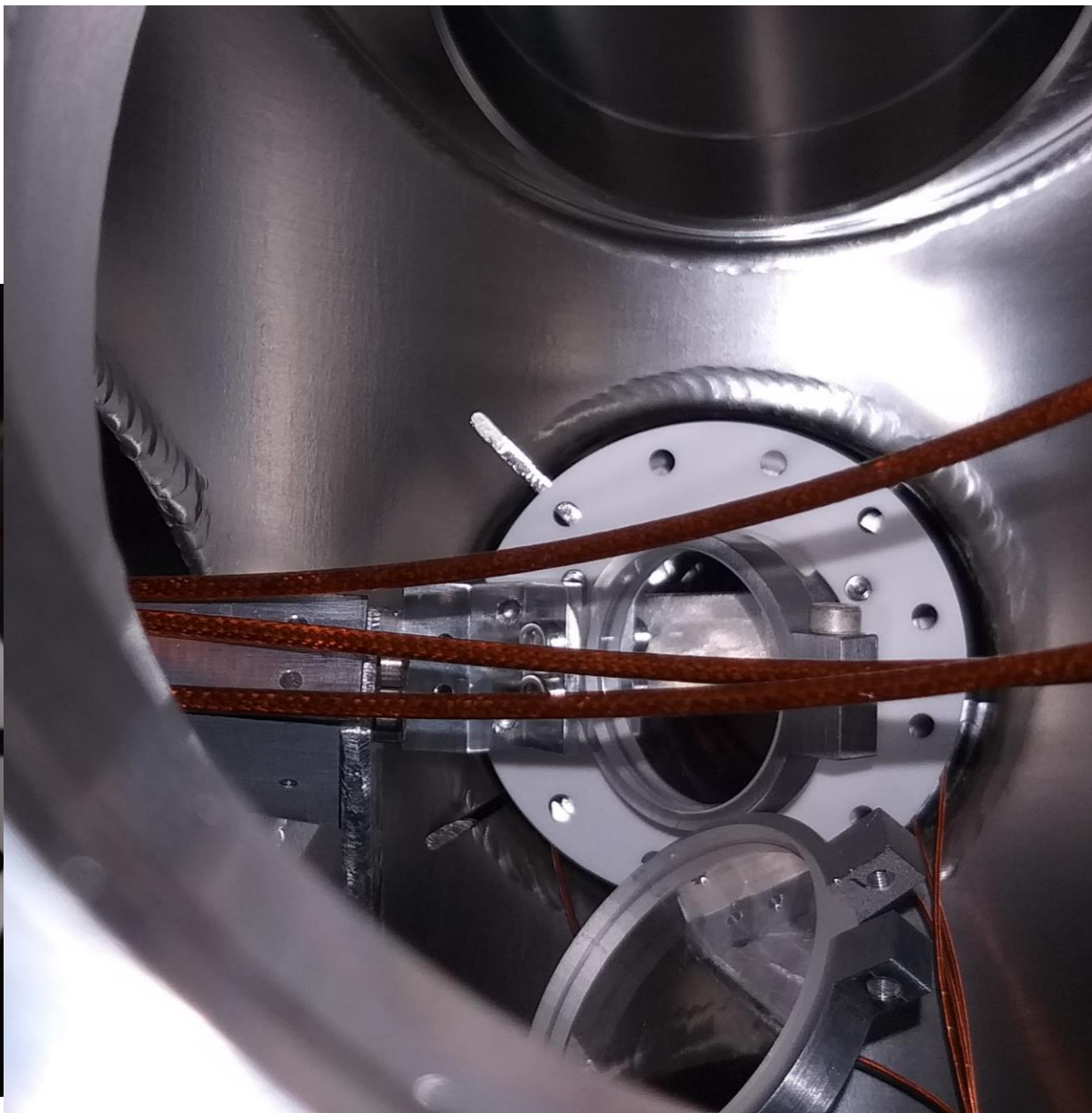
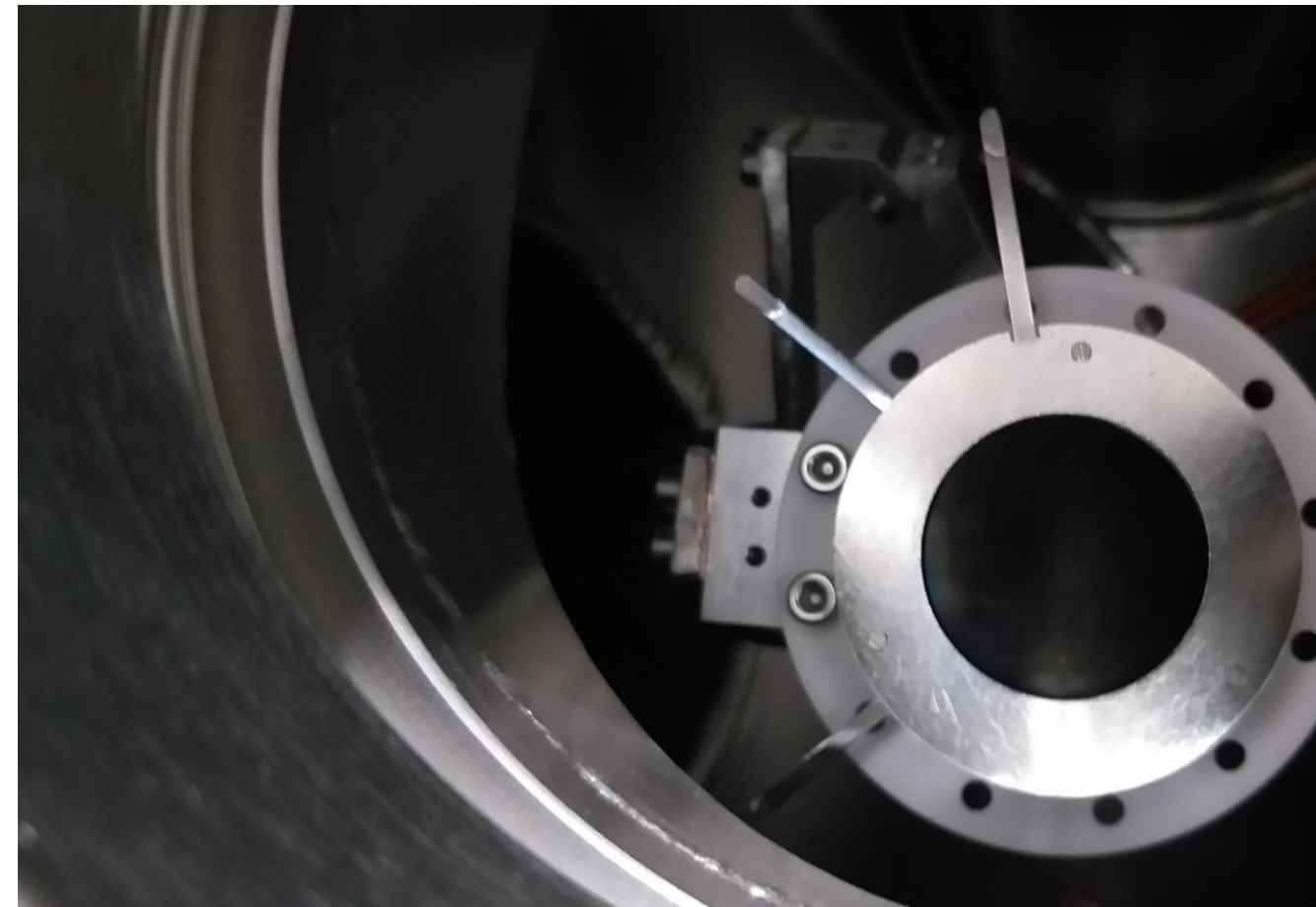


Detection system for the Hedgehog Chamber

Cabling







To-do list

- Improve and finalize cabling
- Repair the MCP (new foil for the stack)
- Install the detector during the August opening

