

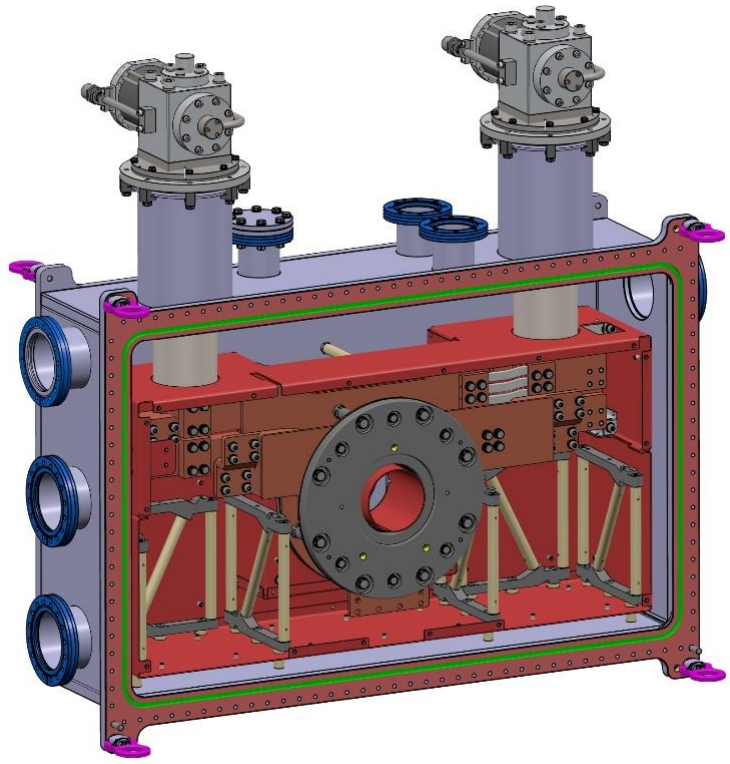
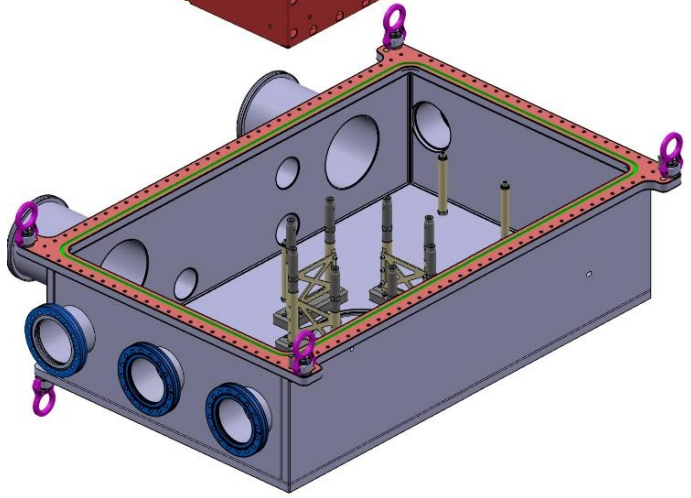
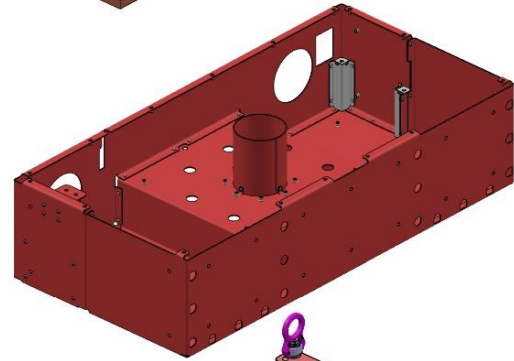
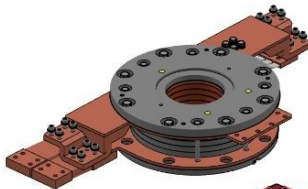
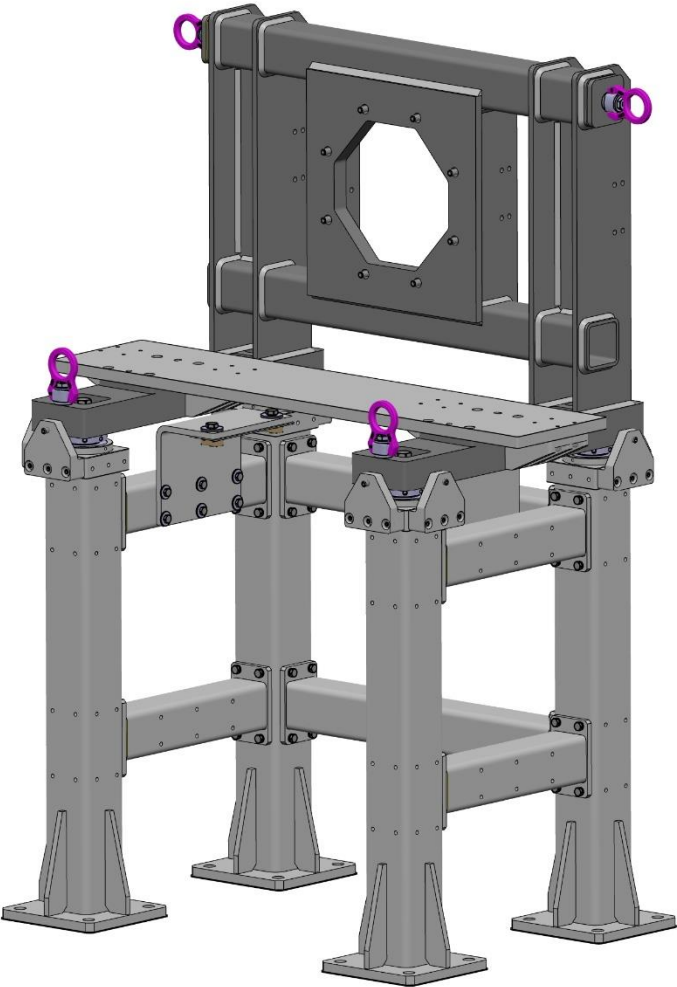
Update on Task 3.2

Michal Duda

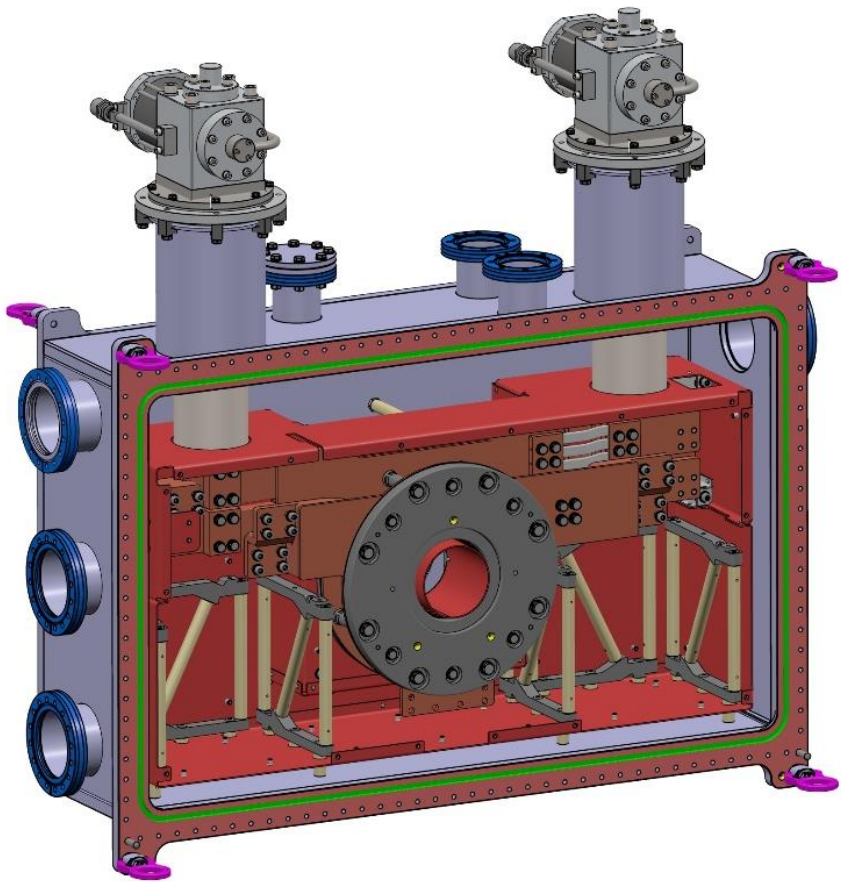
on behalf of HTS solenoid team

2024/05/13

Assembly in progress



Assembly in progress..



- Vacuum test in next month
- Cold test in summer
- First coil expected before summer
- Powering test this fall and winter (tests in LN and cryostat)

