

# CI update

BGC CI team



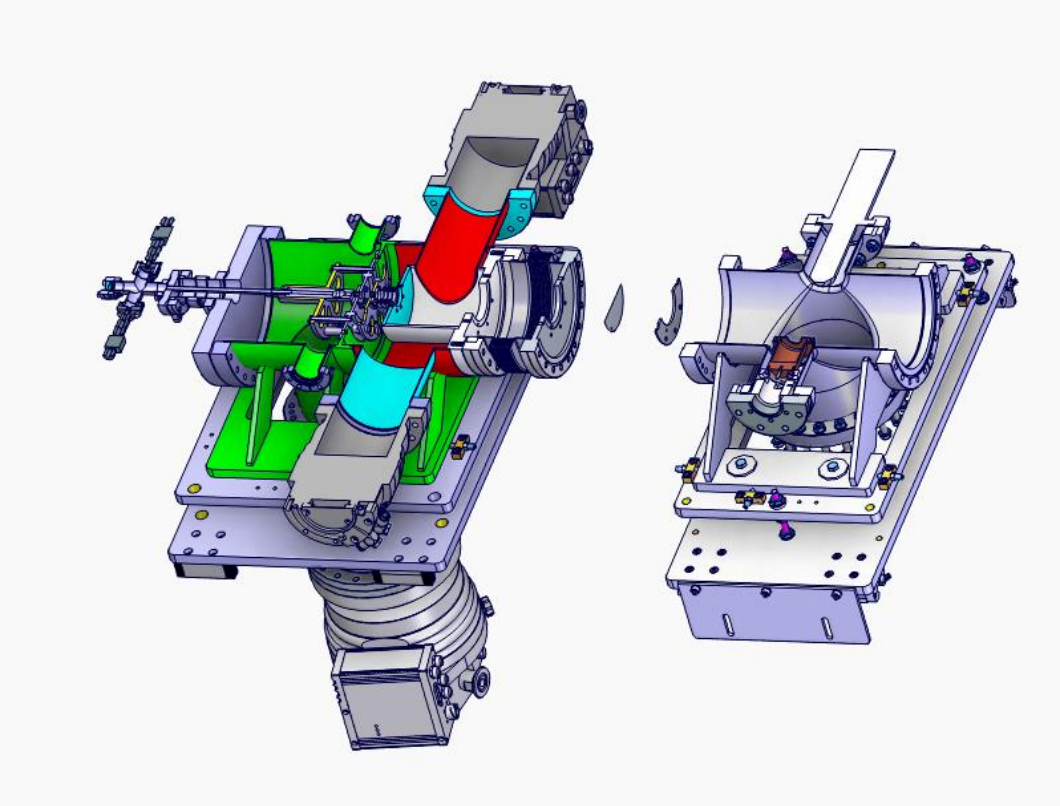
UNIVERSITY OF  
LIVERPOOL



# Updates on procurement plan for EBTS

- Pumps: We will recycle the scroll backing pumps (Tear&Wear, might need one extra). For TPM, we need **4 X HIPACE 300 and 1 X HIPACE 700**.
- Gate vales: 2 gate valves will be reused. **1 X gate valve (DN100)** to purchase due to the increased flange size in the gas dump chamber.
- Dump chamber: Standard piece which Sameed had a quotation.
- Interaction chamber: Most likely will be done in the CERN workshop.
- Gas jet forming chamber:
  - Manufacturing the v3 design
  - Wait for v4 design later this year (depending on the availability, how long the EBTS tests will last and the installation plan of v4 into LHC beam two).
  - Or Jeremy jet forming chamber (need an adapter, doable, cost efficient)
- Optics: EBTS optics recycle for now.

# Jeremy for EBTS



# HaloJet (preliminary)

