



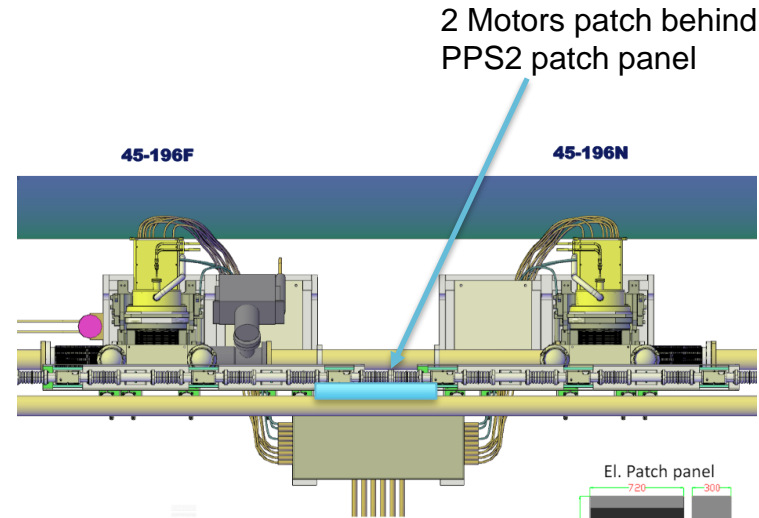
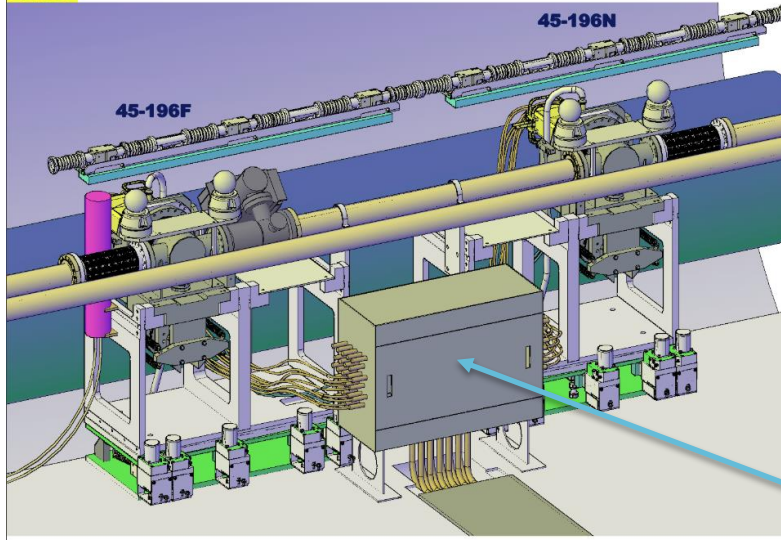
WP19 CEM-GM-ICS FRAS meeting
AOB:

PPS2 patch panel integration
HL DIC, DIFs etc

Vincent Barbarroux

PPS2 patch panel integration

LSS5L



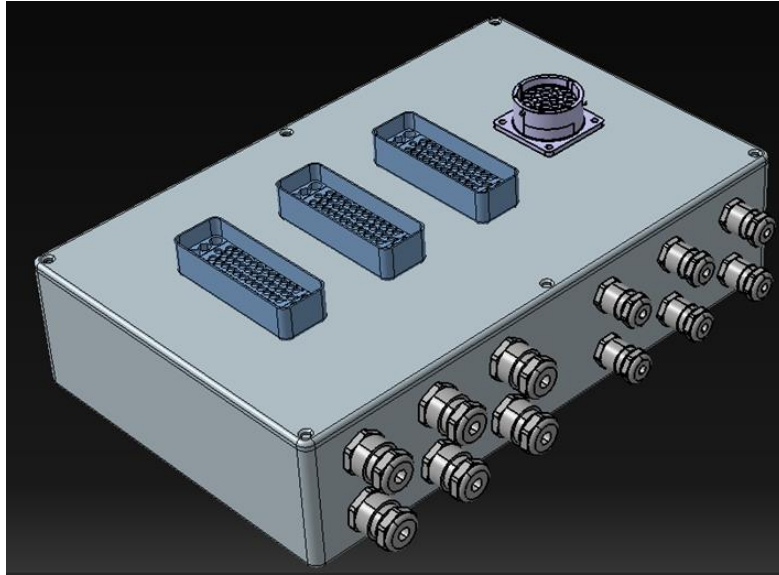
2 Motors patch behind PPS2 patch panel

1 OF patch for 2 stations here

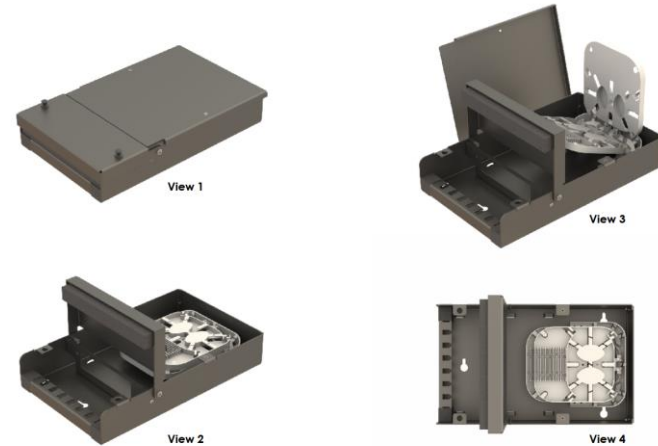
➤ Routing to be defined (similar to Collimators)

PPS2 patch panel integration

Motors patch panel first design



Example of Small patch for Optical Fibers (up to 12 channels)



HL DIC, DIFs etc

- Need to confirm number of power supply sockets
- Number of ethernet sockets in each racks
- PPS2 motor Sambuca racks: in UR55? (some space in GYPOS04=UR55 or extension to 52U) or in UA?
- WP7 DIC for BIS to be updated. Initially defined in GYPOS1 of US15, USC55. Sambuca racks + relay boxes layout to be agreed

IP	Side	Location	Defined use	Rack						Equipment			Total		
					HLS	WPS	TEM	HUM	PRE	Motor	WIRE Stretcher	GXHR			
5	R	UPS	WPS rack (12U)	GYPOS1=UP556	0	16	0	0	0	0	0	0	0	16	
			WPS rack (12U)	GYPOS2=UP556	0	15	0	0	0	0	0	0	0	15	
			WPS rack (12U)	GYPOS3=UP556	4	0	9	3	9	0	0	0	0	25	
		UR	MT-FSI LASER RACK	GYPOS1=UR55	0	0	0	0	0	0	0	0	0	0	0
			MT-FSI LASER RACK	GYPOS2=UR55	0	0	0	0	0	0	0	0	0	0	0
			MOTOR CONTROL FRAS	GYPOS3=UR55	0	0	0	0	0	0	0	10	0	0	10
			SENSOR RACK	GYPOS4=UR55	4	0	0	0	0	0	0	0	0	0	4
			MOTOR CONTROL FRAS	GYPOS5=UR55	0	0	0	0	0	0	15	0	0	0	15
			MOTOR CONTROL FRAS	GYPOS6=UR55	0	0	0	0	0	0	15	0	0	0	15
			MOTOR CONTROL FRAS	GYPOS7=UR55	0	0	0	0	0	0	10	0	0	0	10
			MOTOR CONTROL FRAS	GYPOS8=UR55	0	0	0	0	0	0	15	0	0	0	15
			SENSOR RACK	GYPOS9=UR55	0	0	21	5	6	0	0	0	0	0	32
		UL	SENSOR RACK	GYPOS1=UL557	17	0	0	0	0	0	0	0	0	0	17
			MOTOR CONTROL FRAS	GYPOS2=UL557	0	0	0	0	0	0	15	0	0	0	15
			MOTOR CONTROL FRAS	GYPOS3=UL557	0	0	0	0	0	0	15	0	0	0	15
	SENSOR RACK		GYPOS4=UL557	0	0	0	0	0	0	0	0	0	0	0	
	UA	SENSOR DAQ	GYPOS1=UA57	0	35	0	0	0	0	0	0	0	0	35	
		SENSOR DAQ	GYPOS2=UA57	0	0	0	0	0	0	0	0	0	0	0	
	L	USC55	MOTOR CONTROL FRAS	GYPOS1=USC55	0	0	0	0	0	0	15	0	0	0	15
			MOTOR CONTROL FRAS	GYPOS2=USC55	0	0	0	0	0	0	15	0	0	0	15
			MT-FSI LASER RACK	GYPOS3=USC55	0	0	0	0	0	0	0	0	0	0	0
		UR	SENSOR RACK	GYPOS4=USC55	0	0	0	0	0	0	0	0	0	0	0
			SENSOR RACK	GYPOS51=UR55	0	0	21	5	6	0	0	0	0	0	32
			MOTOR CONTROL FRAS	GYPOS52=UR55	0	0	0	0	0	0	15	0	0	0	15
			MOTOR CONTROL FRAS	GYPOS53=UR55	0	0	0	0	0	0	10	0	0	0	10
			MOTOR CONTROL FRAS	GYPOS54=UR55	0	0	0	0	0	0	15	0	0	0	15
			MOTOR CONTROL FRAS	GYPOS55=UR55	0	0	0	0	0	0	15	0	0	0	15
	UA	MOTOR CONTROL FRAS	GYPOS56=UR55	0	0	0	0	0	0	0	10	0	0	10	
		SENSOR RACK	GYPOS57=UR55	4	0	0	0	0	0	0	0	0	0	4	
		MT-FSI LASER RACK	GYPOS58=UR55	0	0	0	0	0	0	0	0	0	0	0	
UPS	MT-FSI LASER RACK	GYPOS59=UR55	0	0	0	0	0	0	0	0	0	0	0		
	SENSOR DAQ	GYPOS1=UA53	0	35	0	0	0	0	0	0	0	0	35		
	SENSOR DAQ	GYPOS2=UA53	0	0	0	0	0	0	0	0	0	0	0		
UPS	SENSOR RACK	GYPOS1=UP554	0	16	0	0	0	0	0	0	0	0	16		
	SENSOR RACK	GYPOS2=UP554	0	15	0	0	0	0	0	0	0	0	15		
			SENSOR RACK	GYPOS3=UP554	6	0	9	3	9	0	0	0	27		



Thank you