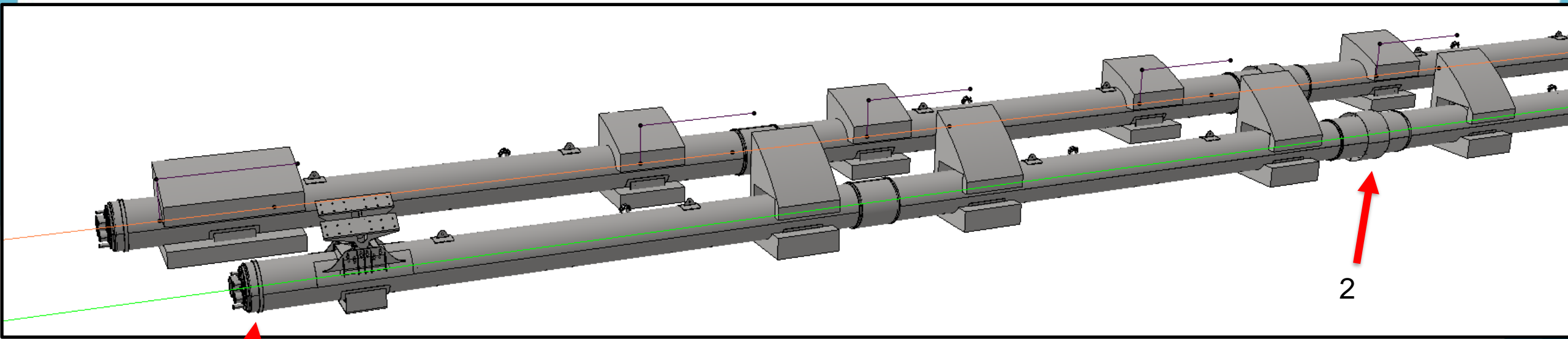
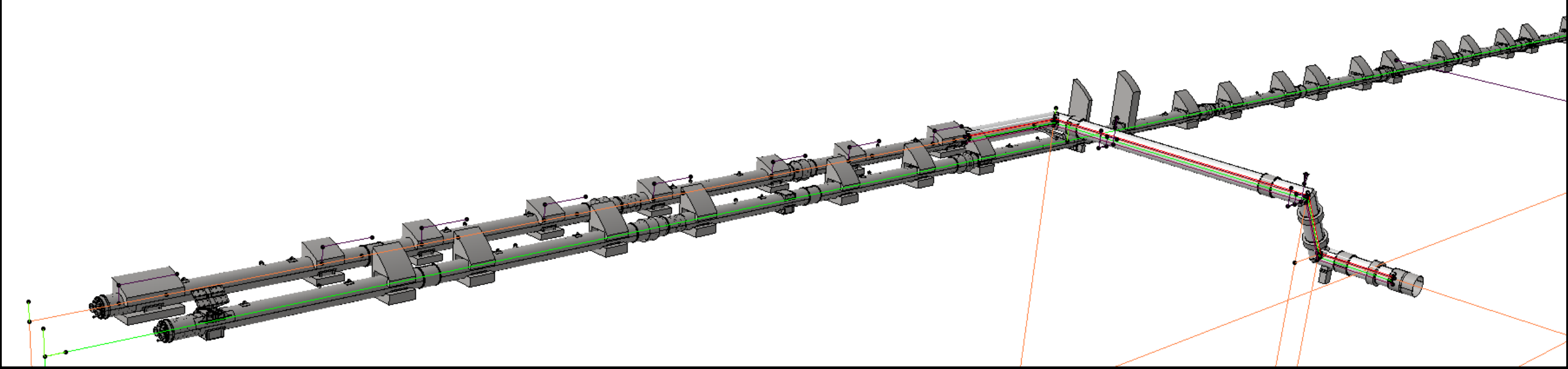
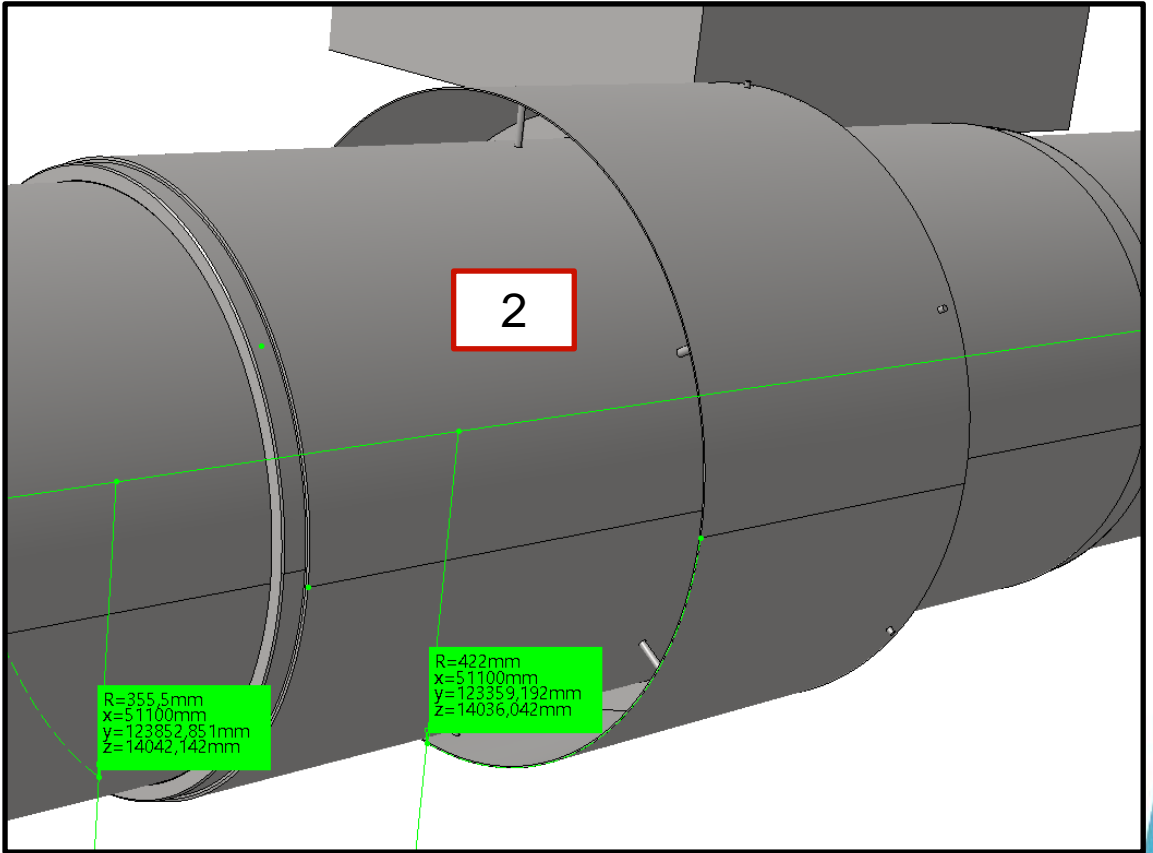
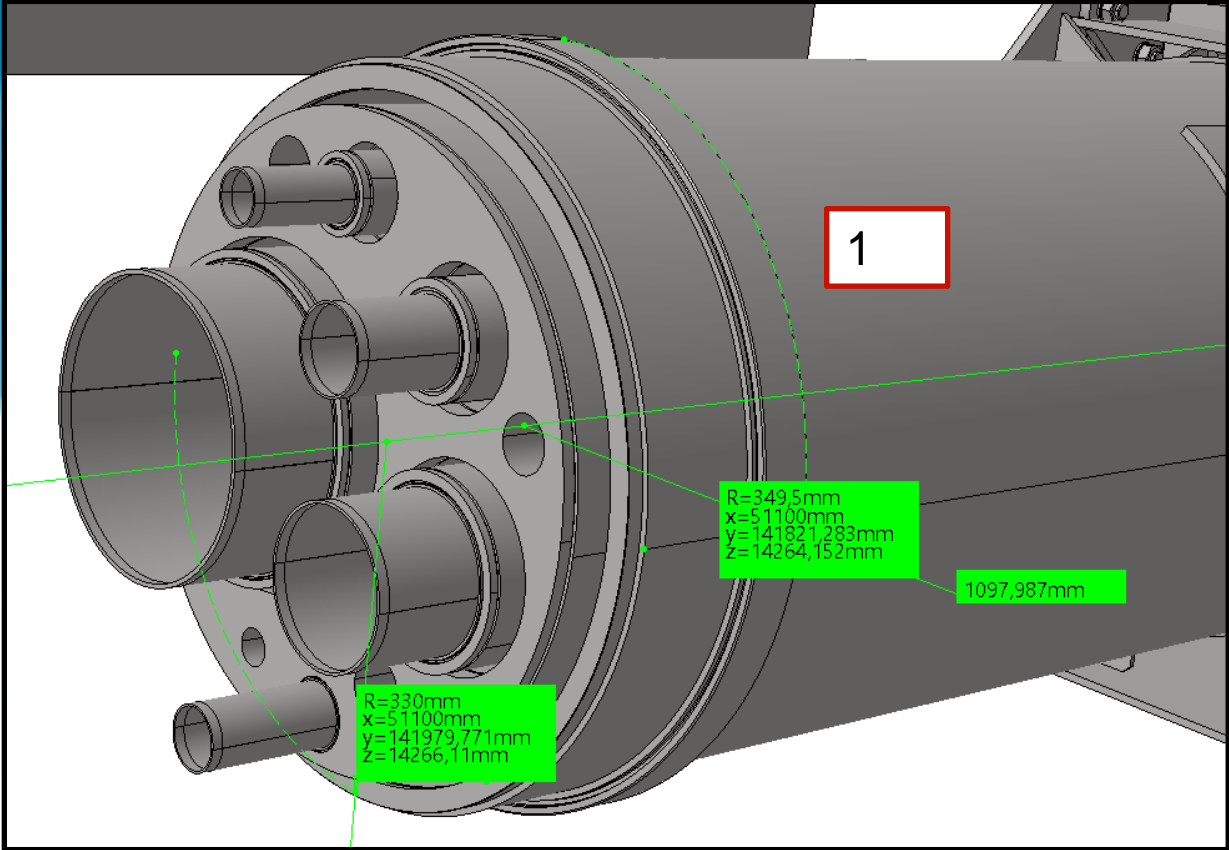
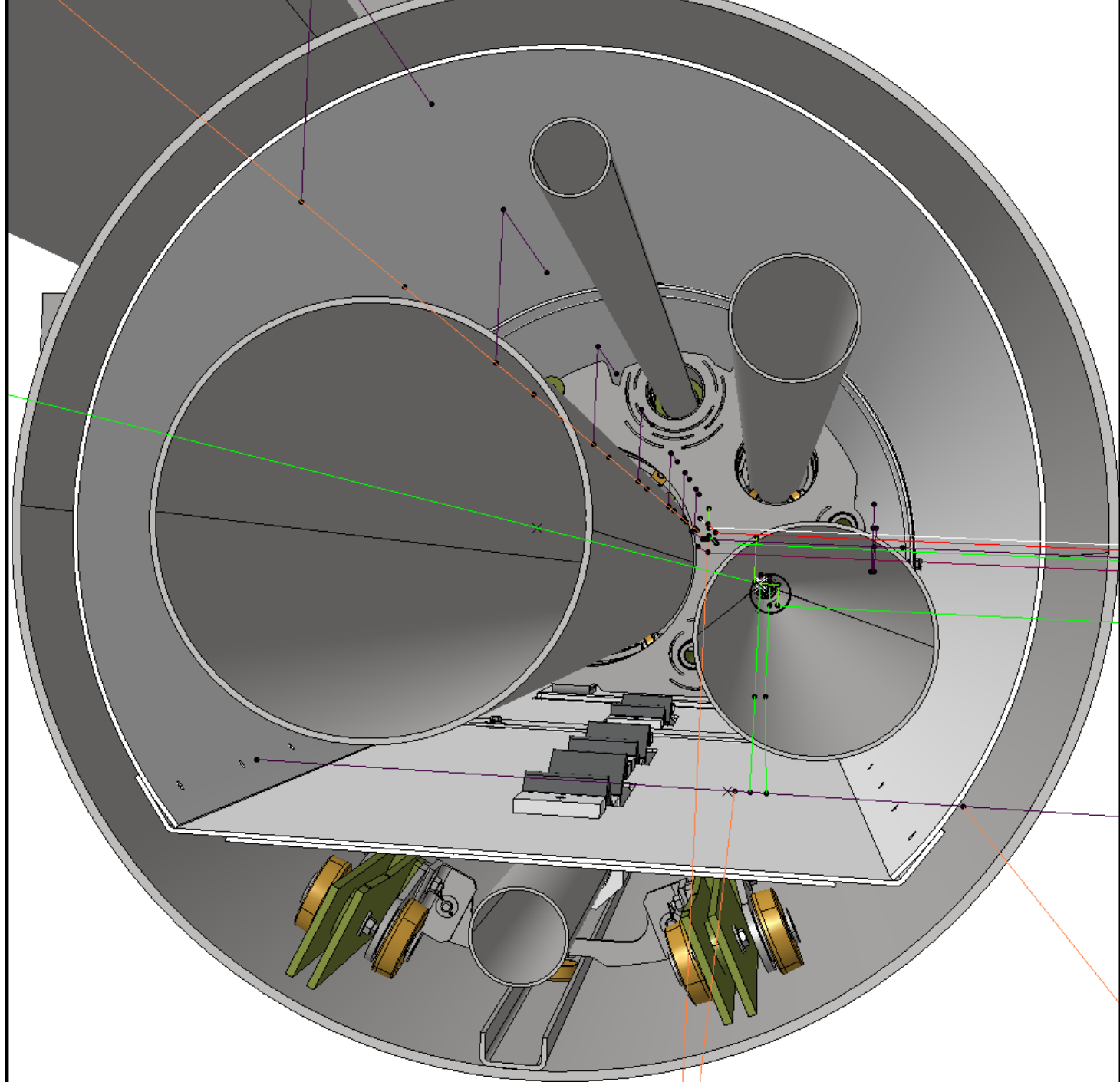


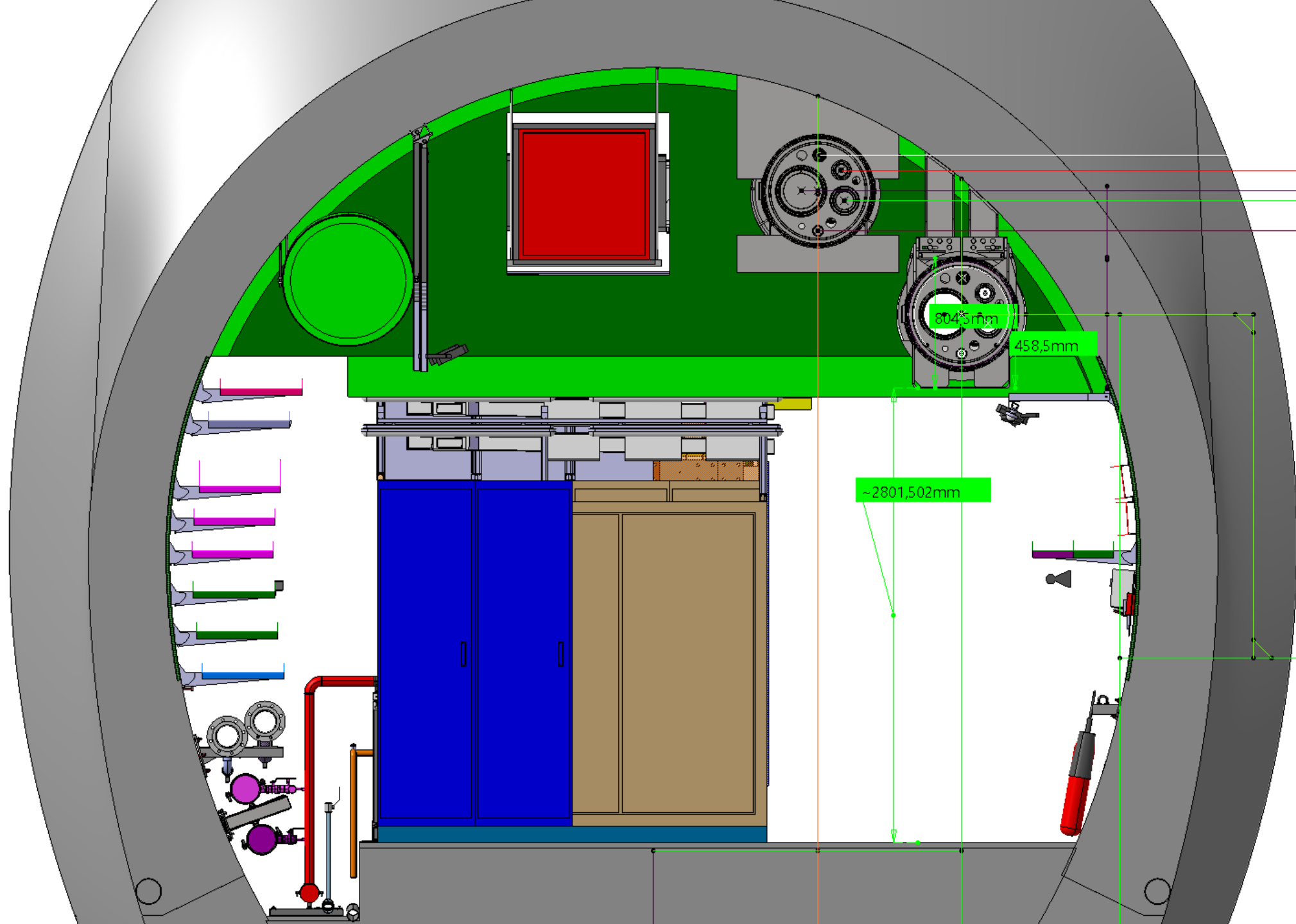
# QXL UR15

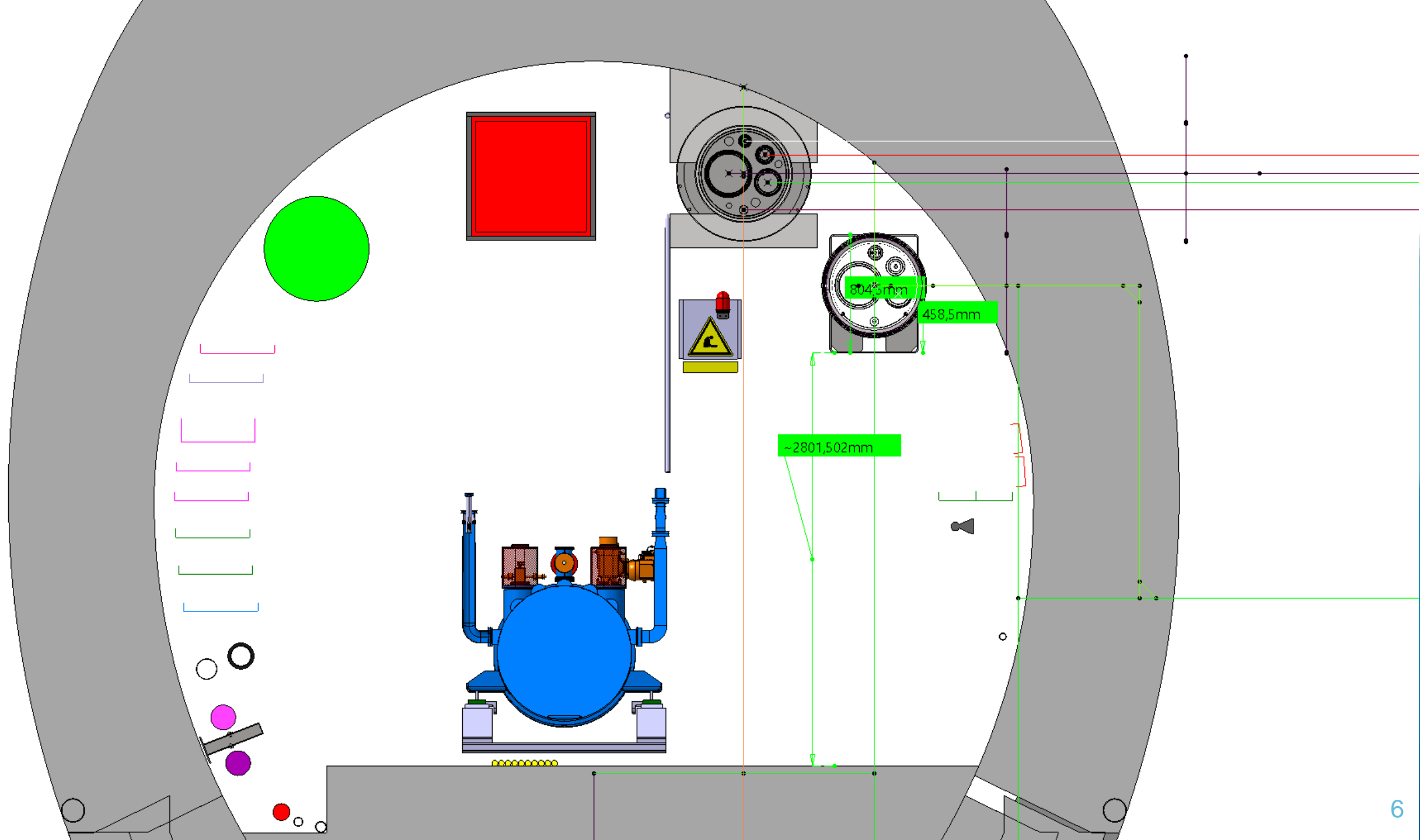
Stephane Maridor

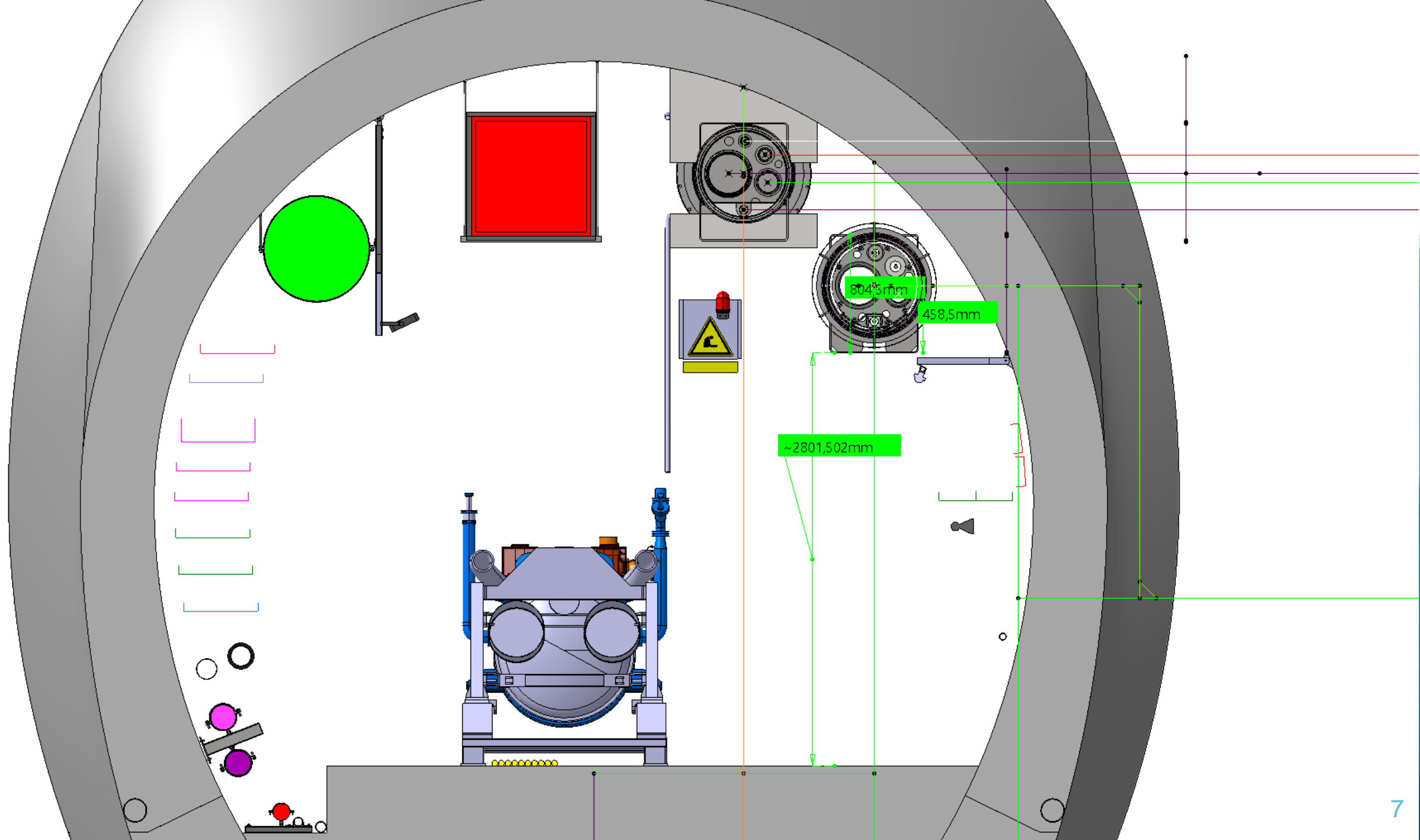


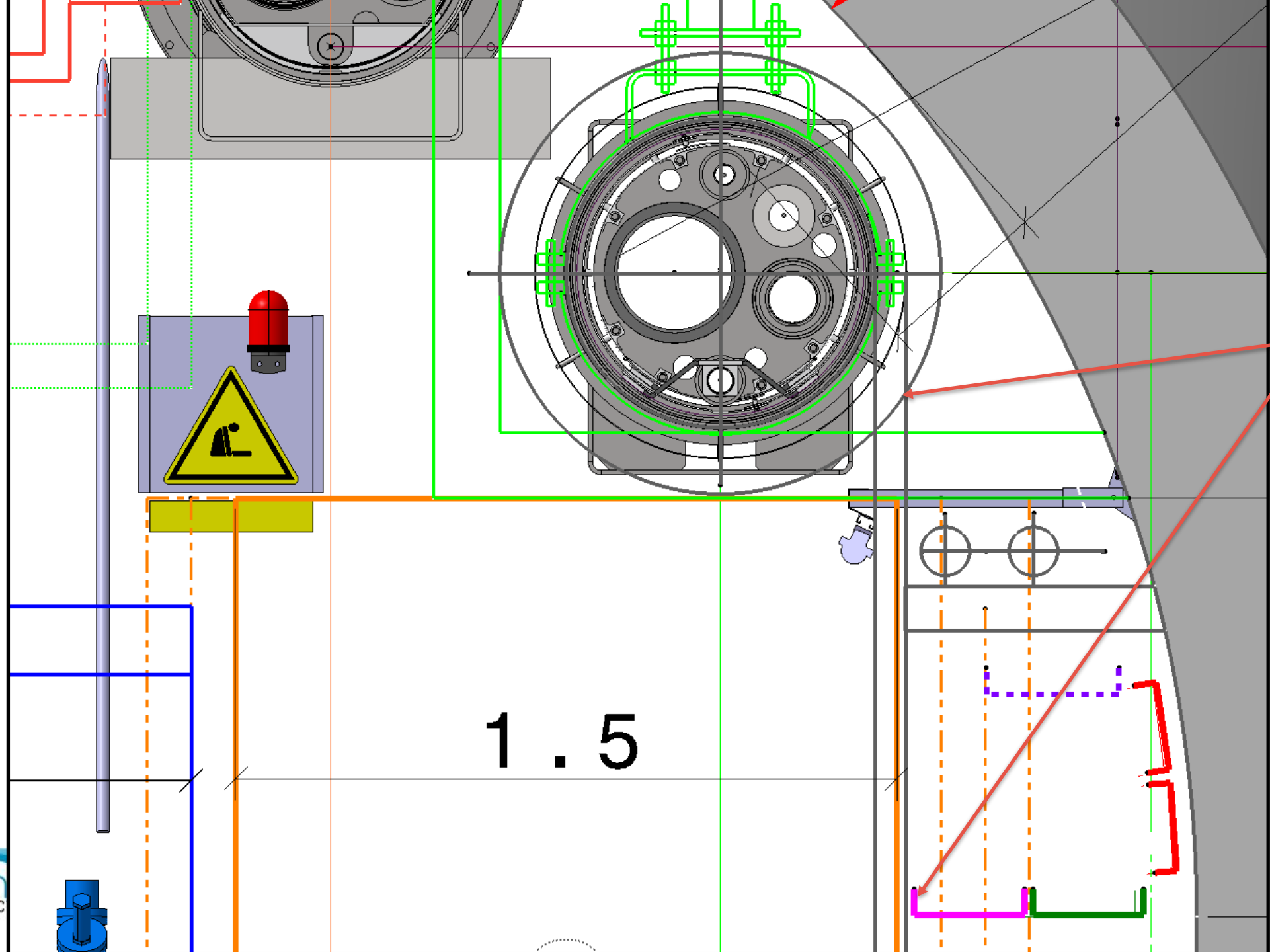








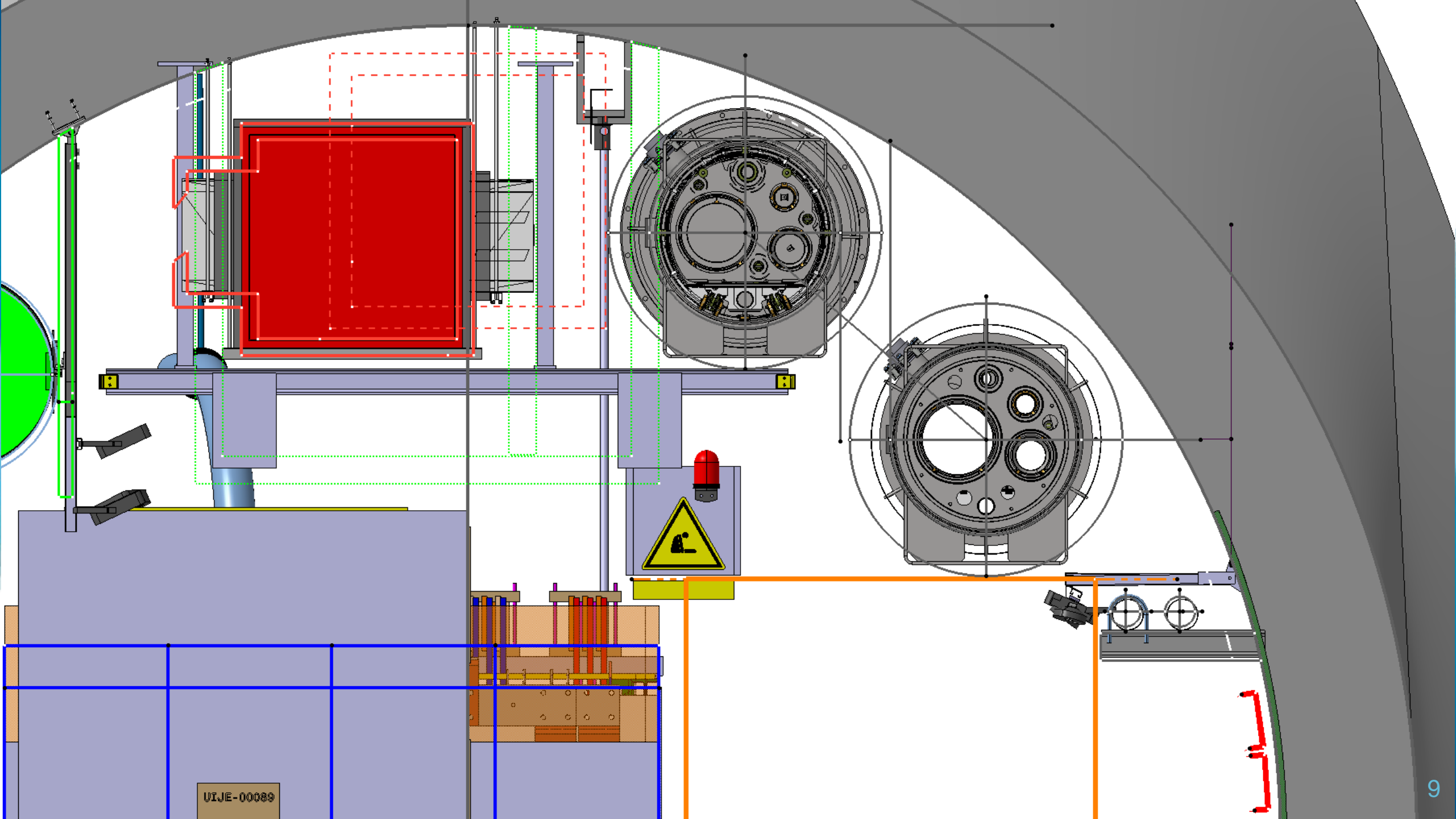




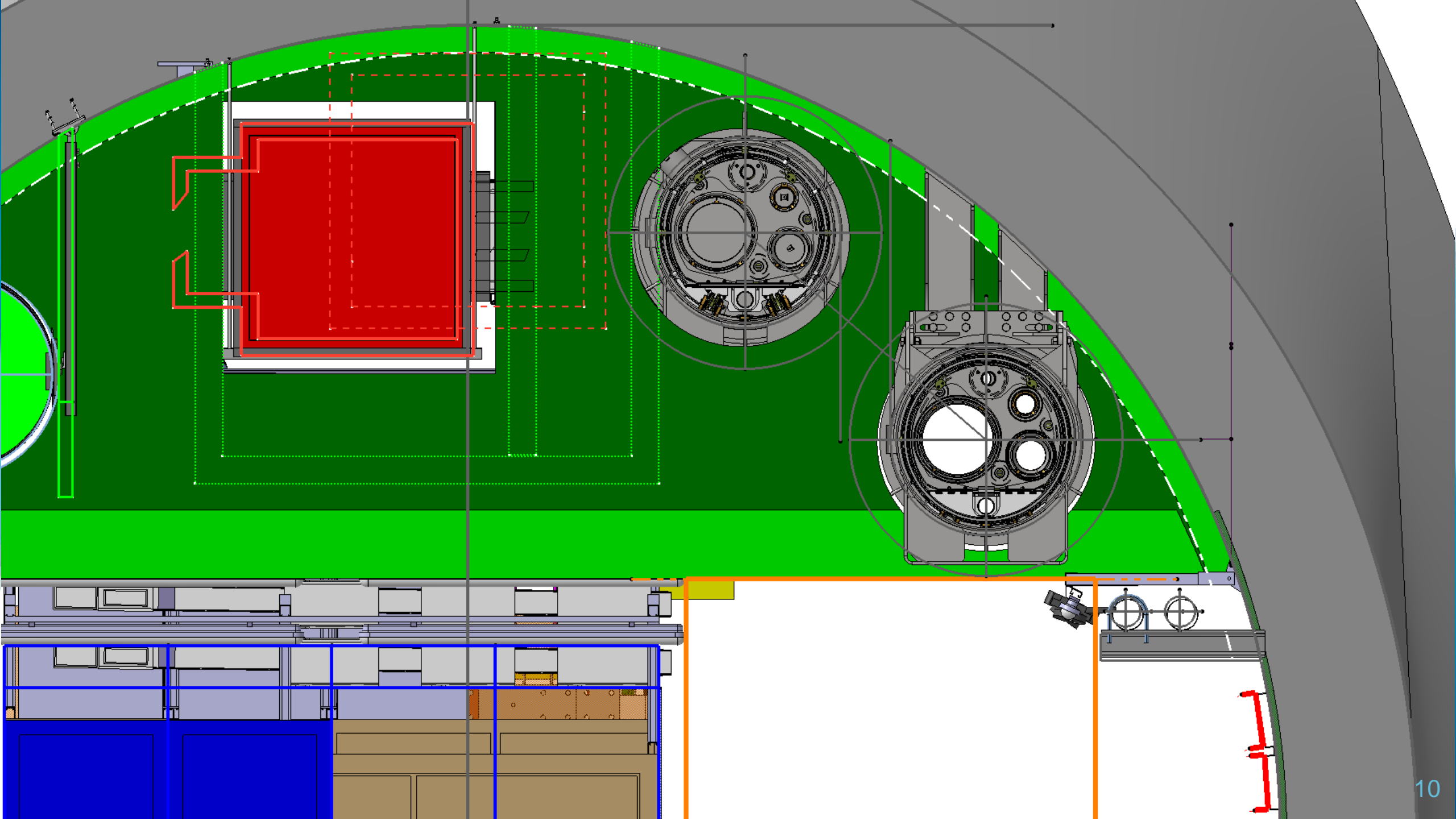
1 . 5

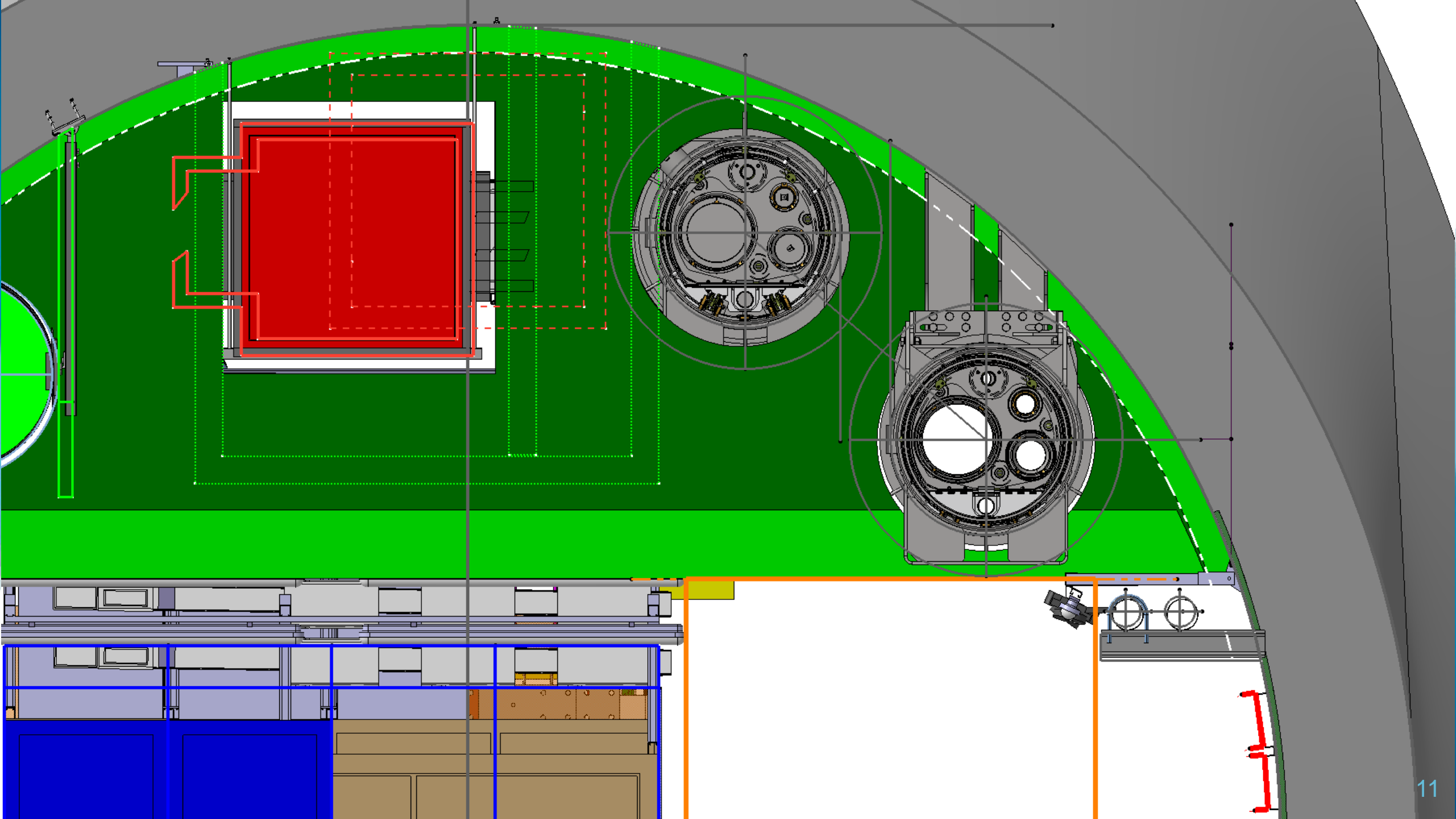


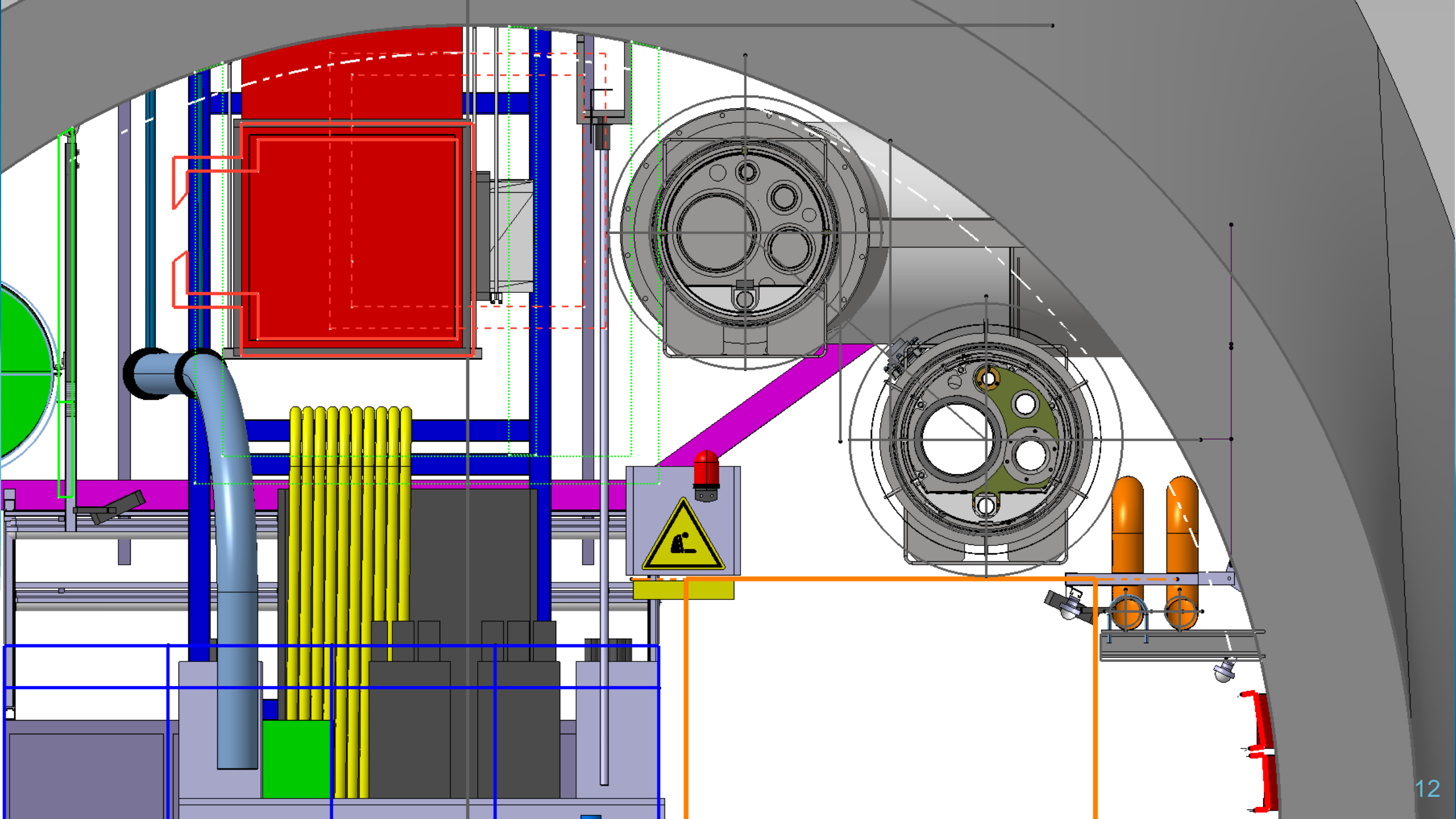




UIJE-00089



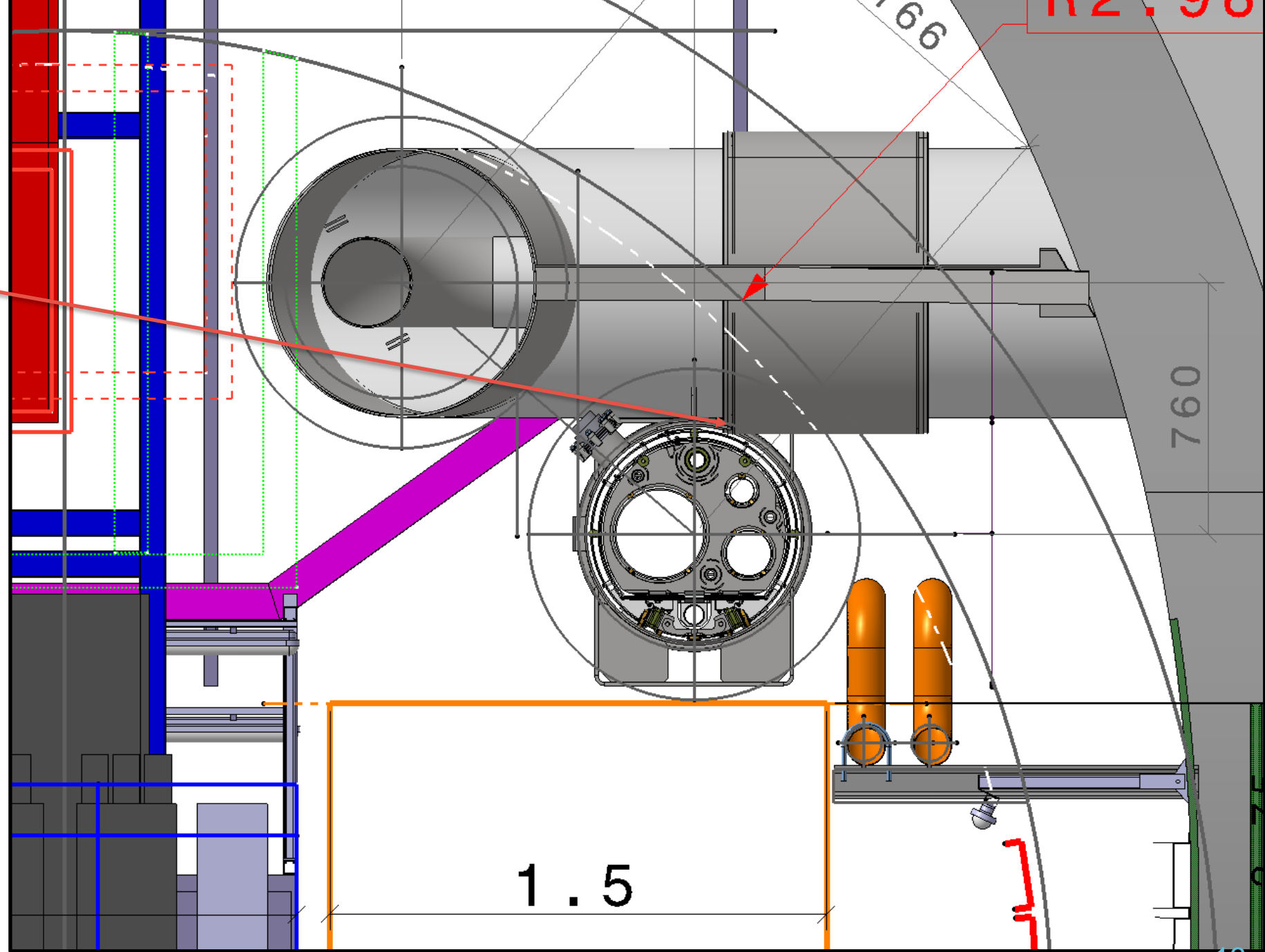




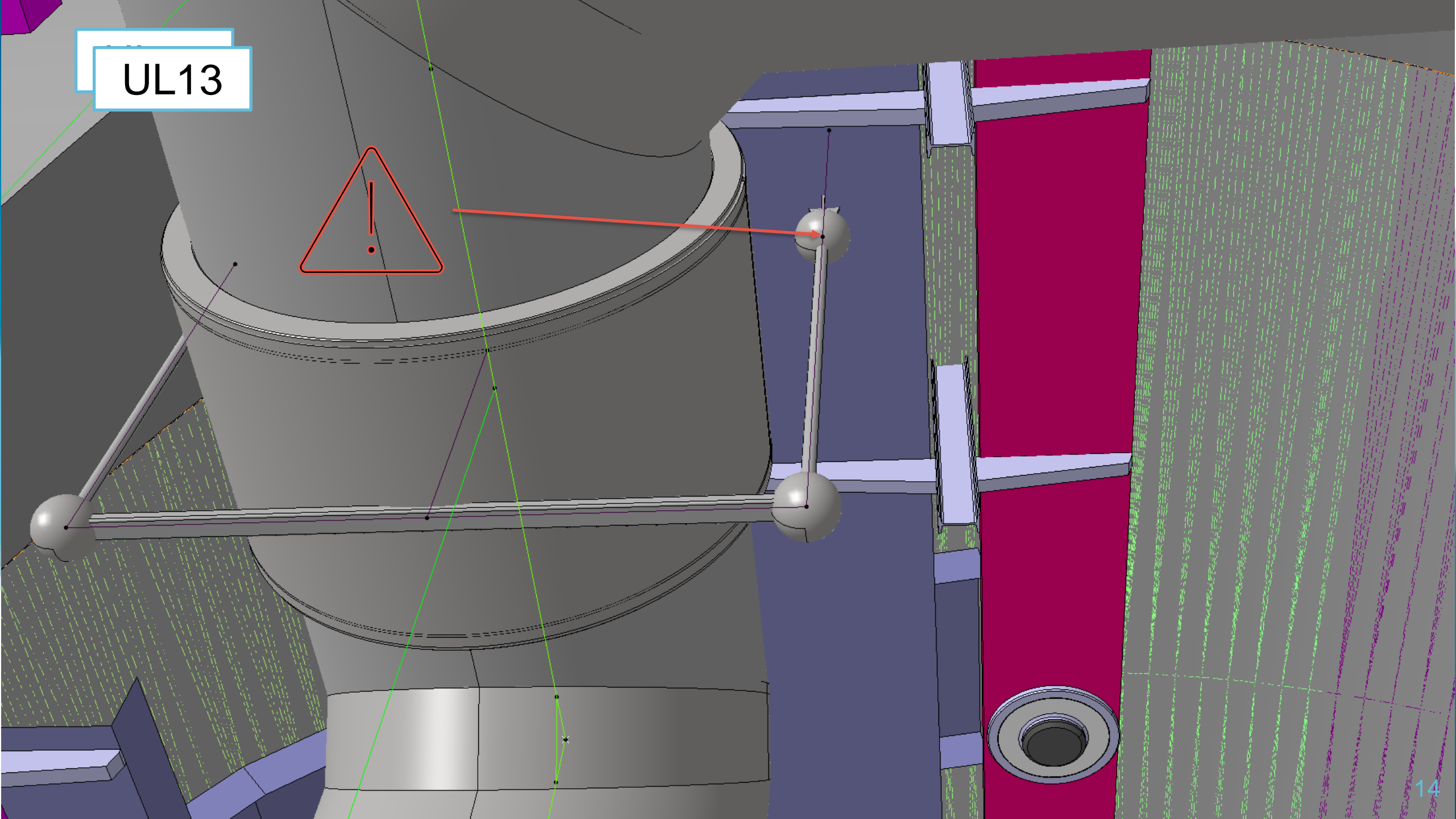
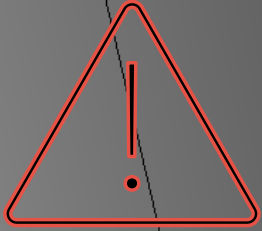
UL17



COLLISION

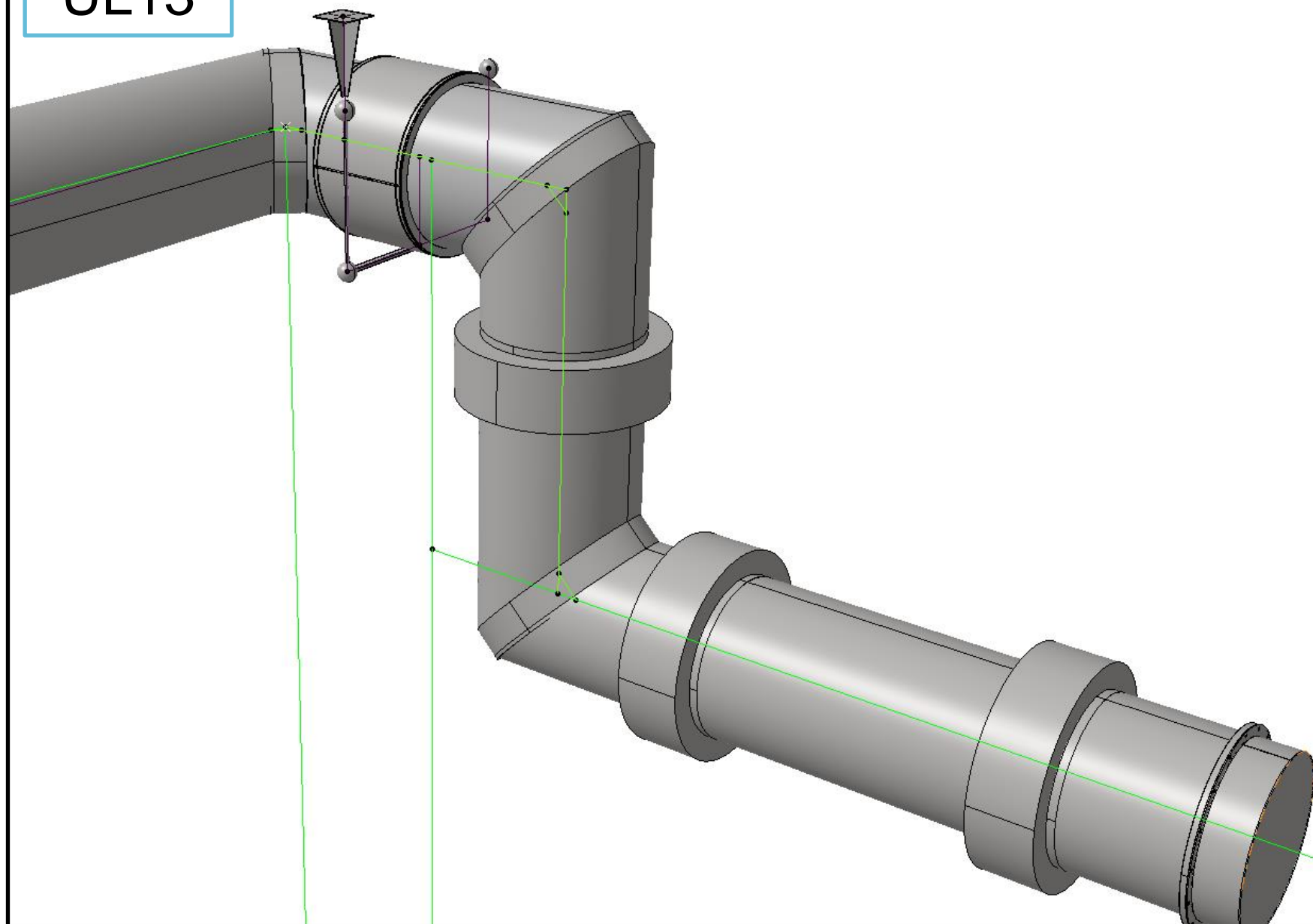


UL13

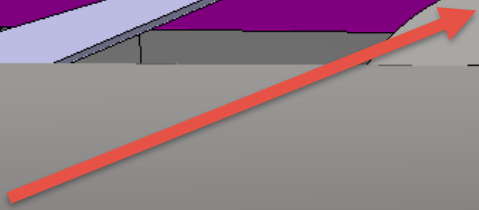
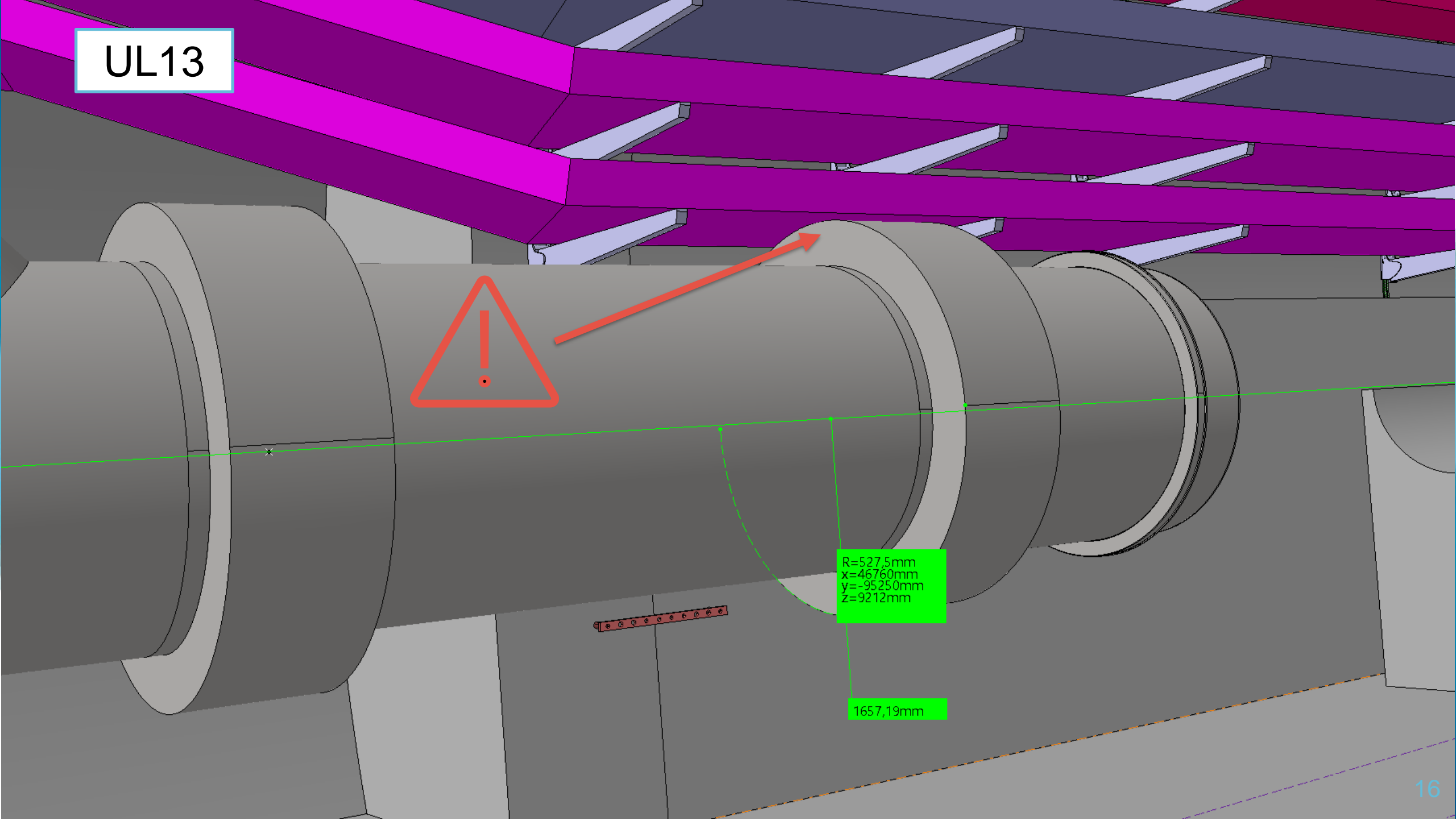




UL13



UL13

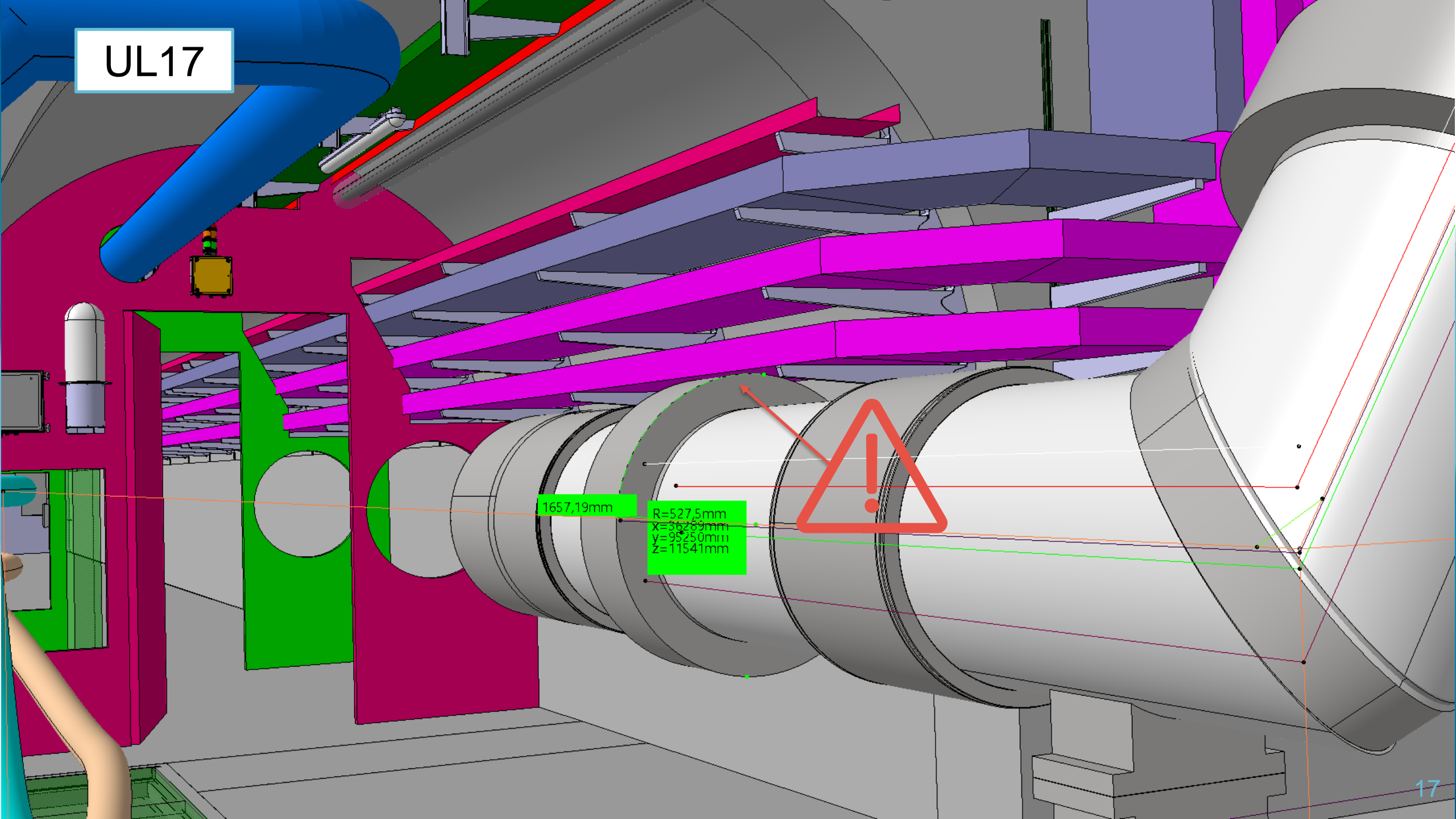


R=527,5mm  
x=46760mm  
y=-95250mm  
z=9212mm

1657,19mm



UL17



1657,19mm

R=527,5mm  
X=36289mm  
y=95250mm  
Z=11541mm