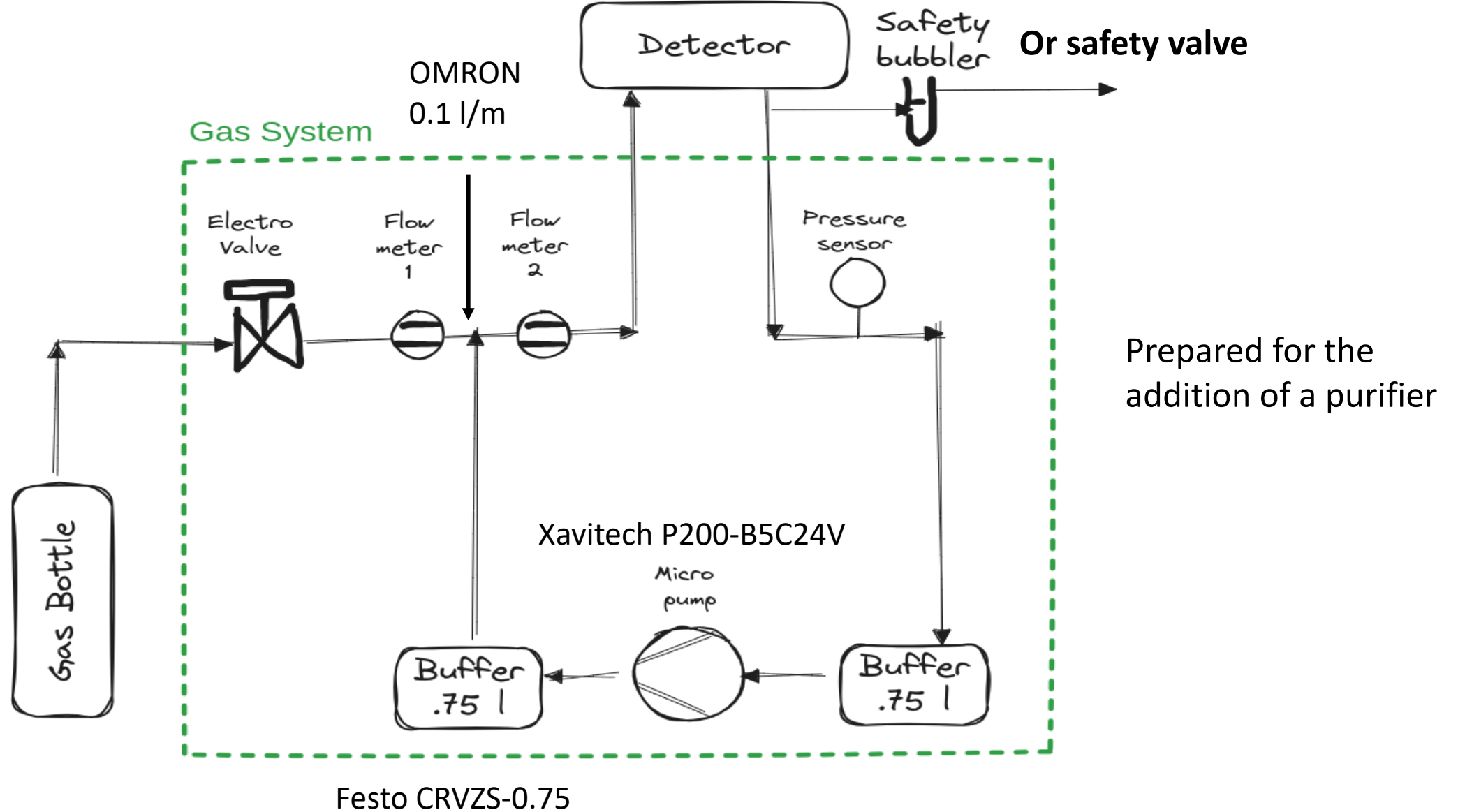


uLoop update

Components



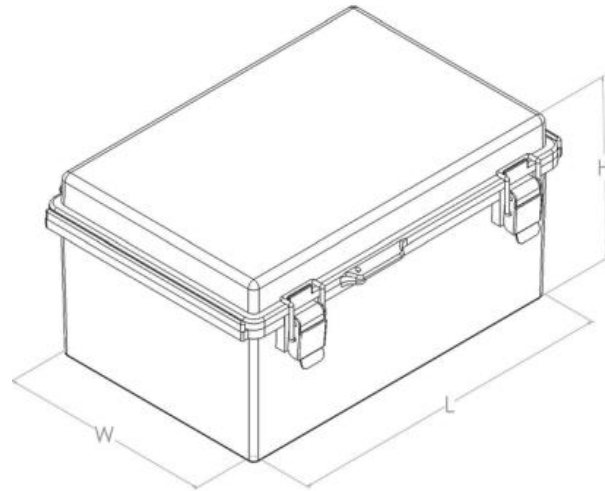
Boxes

No need for ATEX boxes

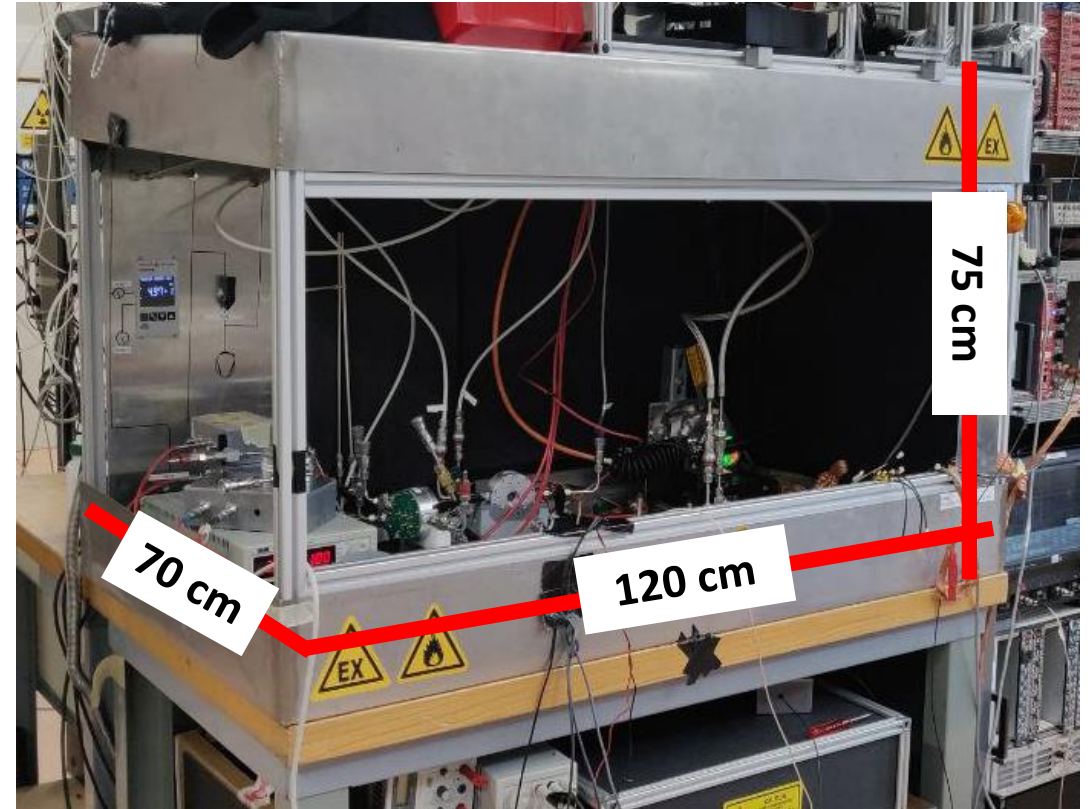


500x400x300mm
Steel

<https://fr.rs-online.com/web/p/coffrets-muraux/8428447?gb=s>



500x400x200mm
Polycarbonate
With or without clear lid
<https://www.farnell.com/datasheets/3966125.pdf>



Or a panel with Bosch profile