

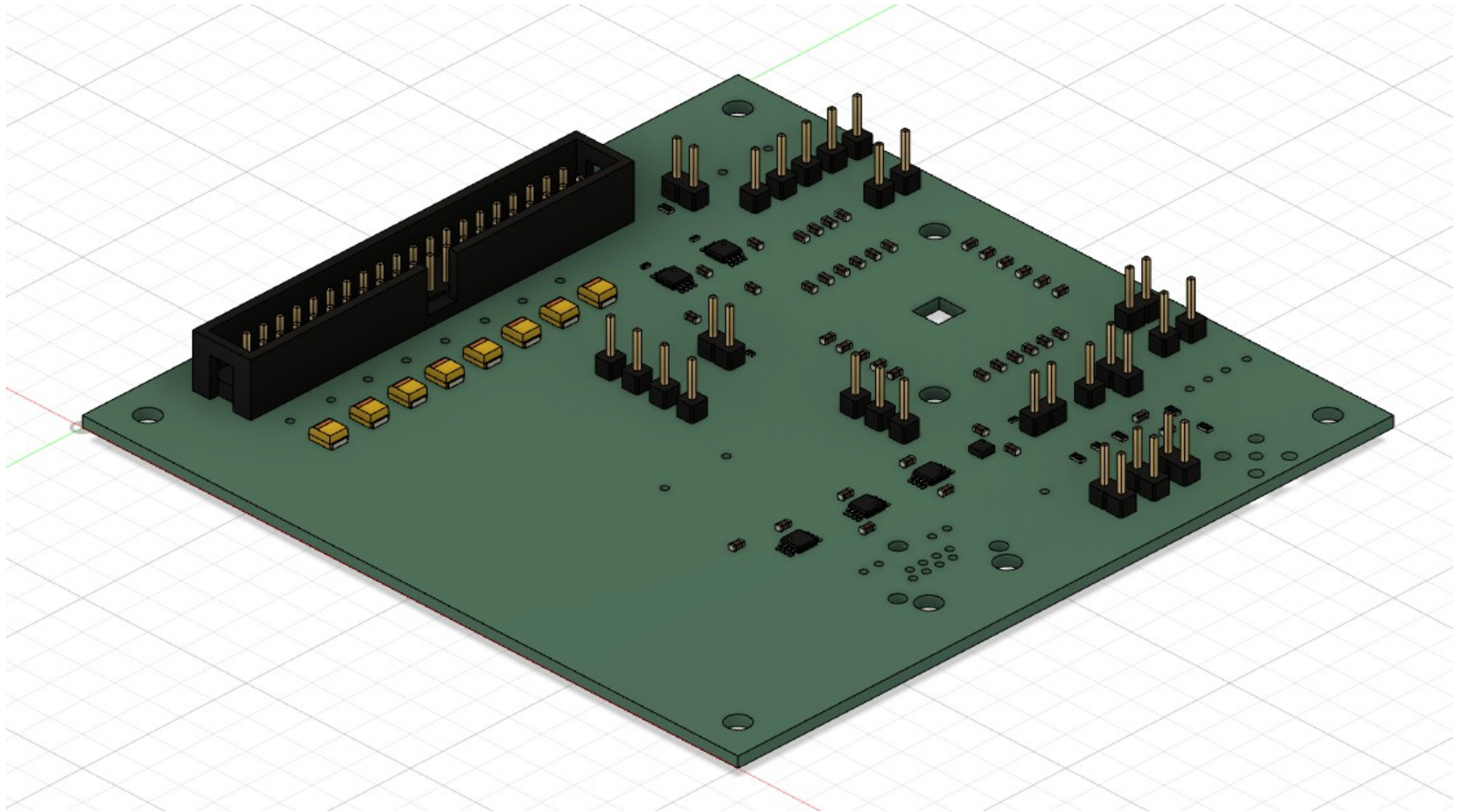
HVCMOS



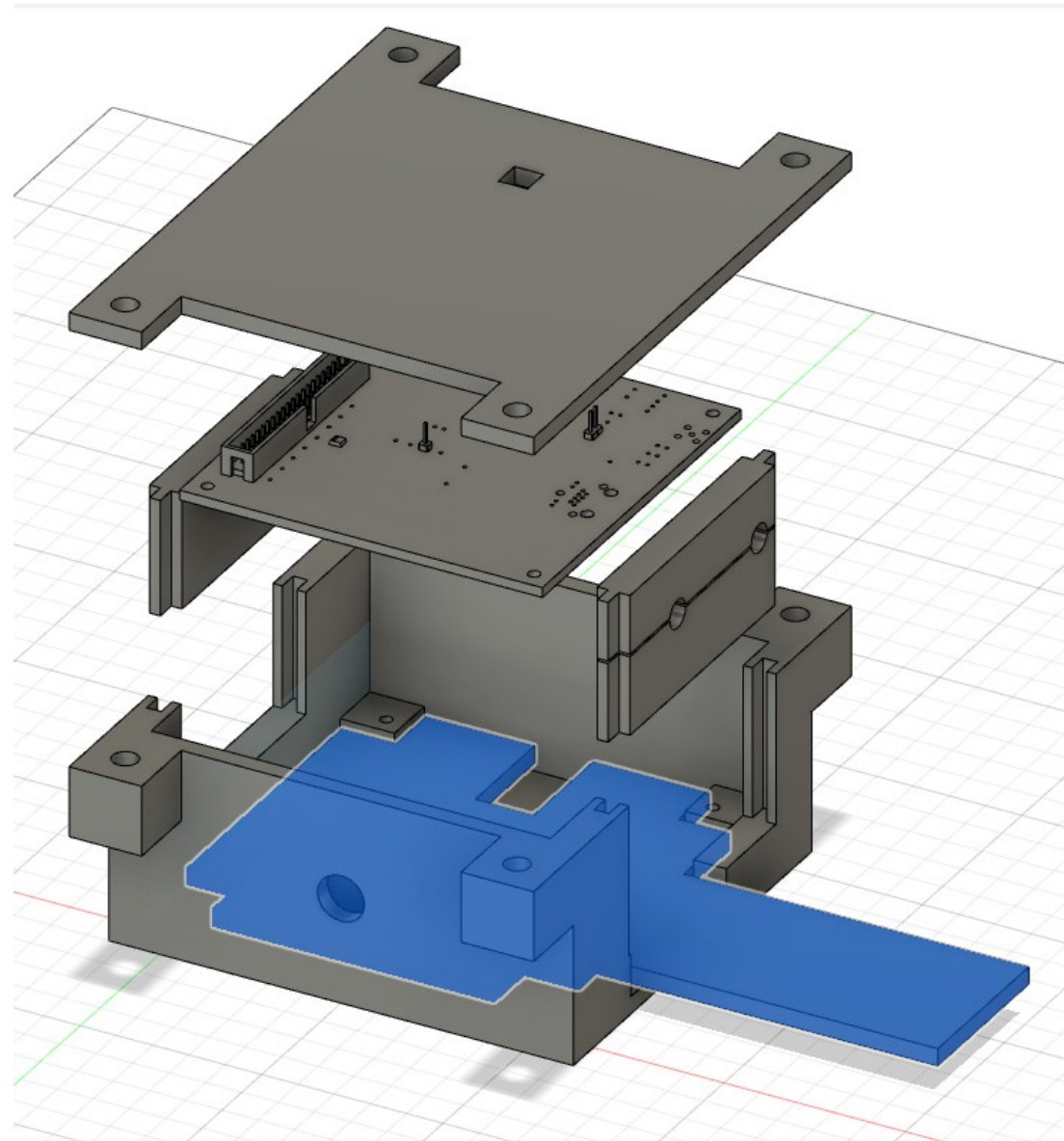
UNIVERSITY OF
LIVERPOOL

Samuel Powell

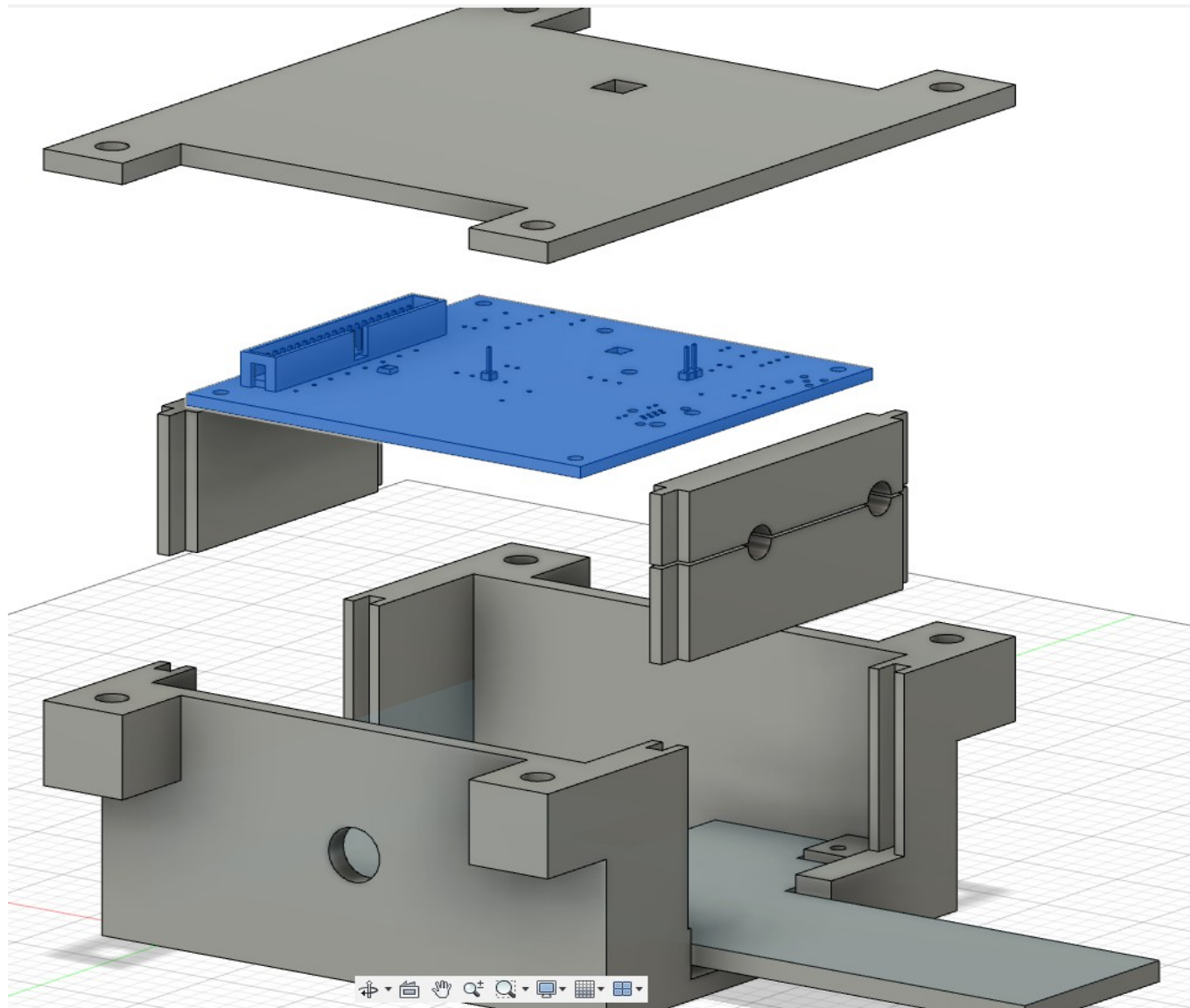
RD50-MPW4 - Peltier cooling enclosure



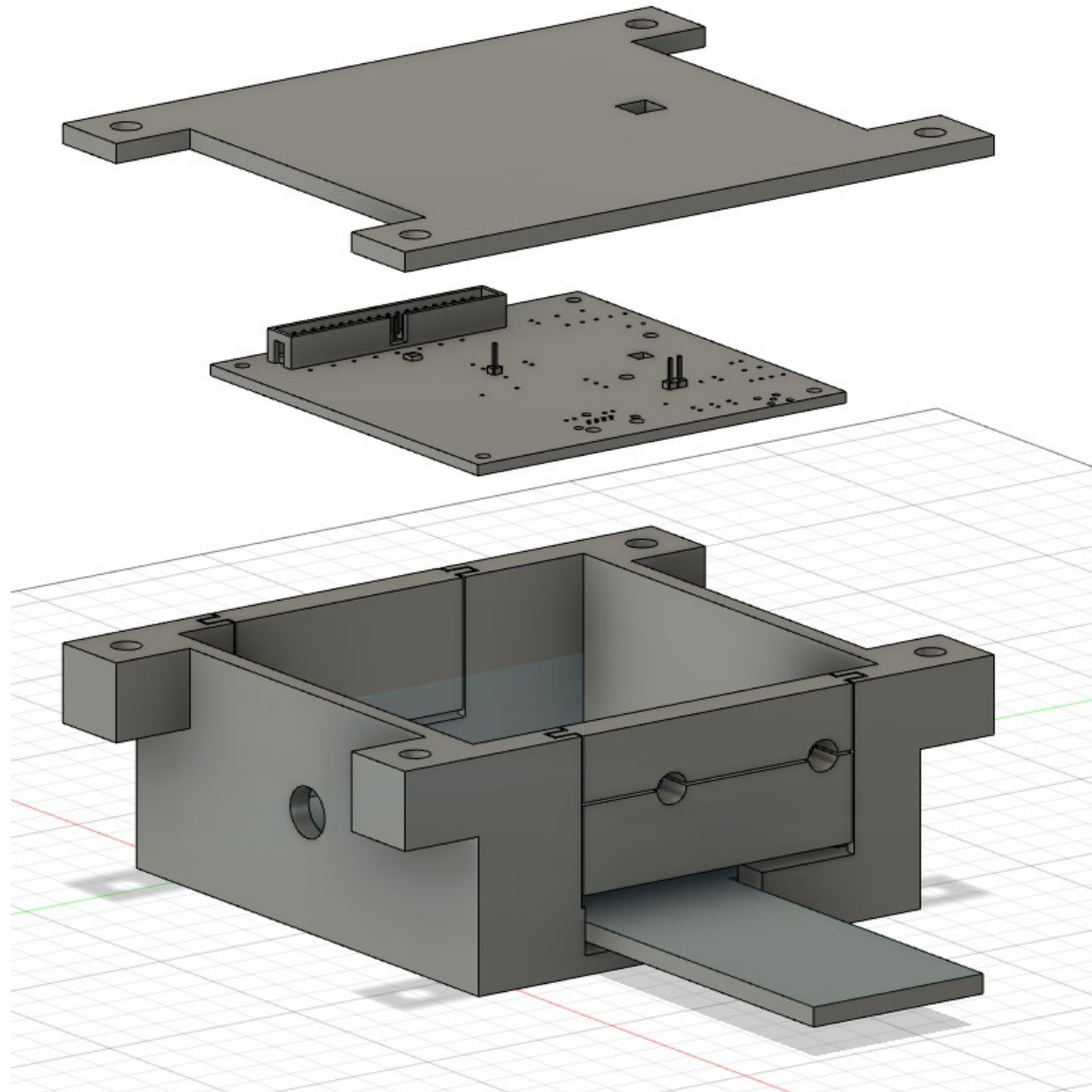
RD50-MPW4 - Peltier cooling enclosure



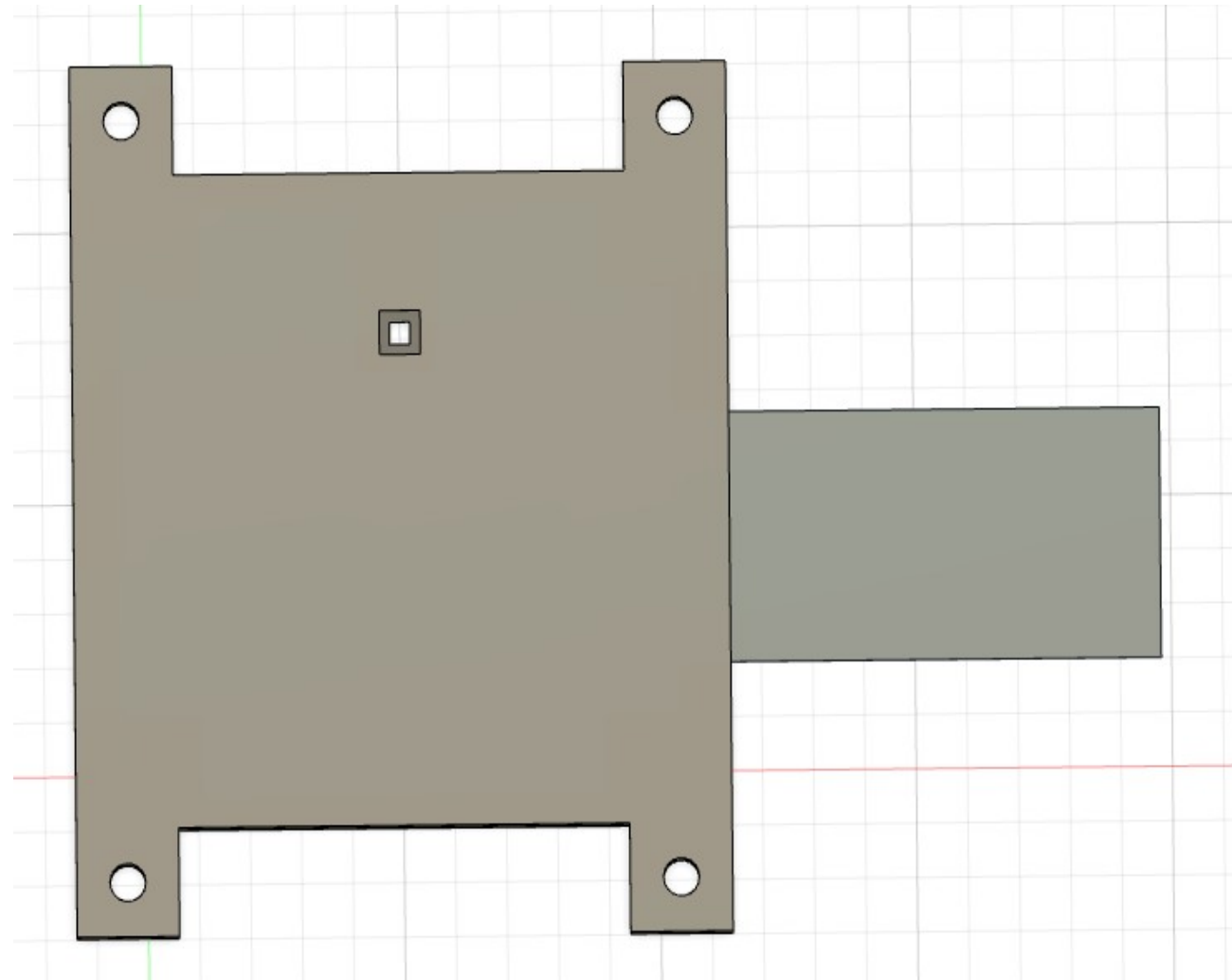
RD50-MPW4 - Peltier cooling enclosure



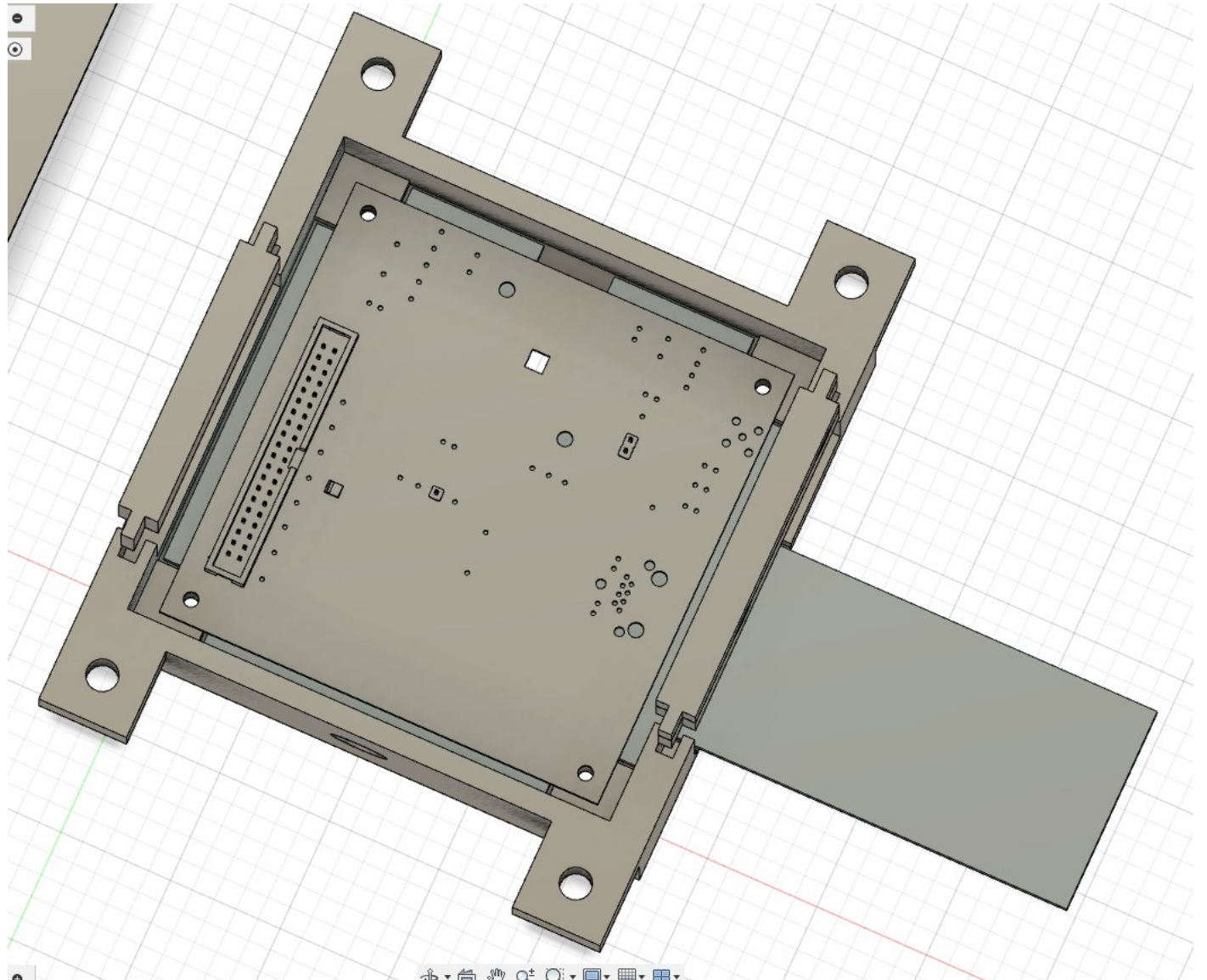
RD50-MPW4 - Peltier cooling enclosure



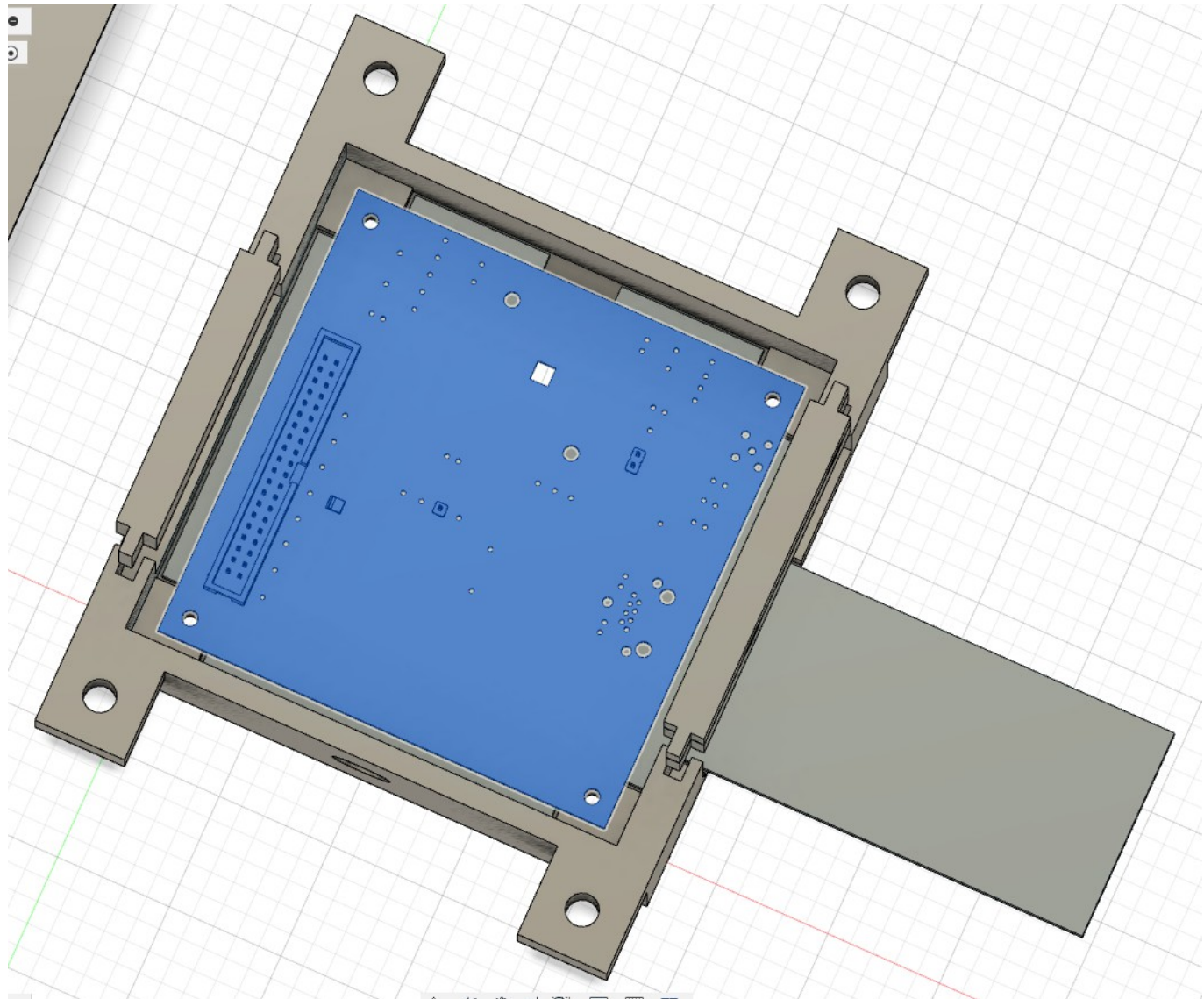
RD50-MPW4 - Peltier cooling enclosure



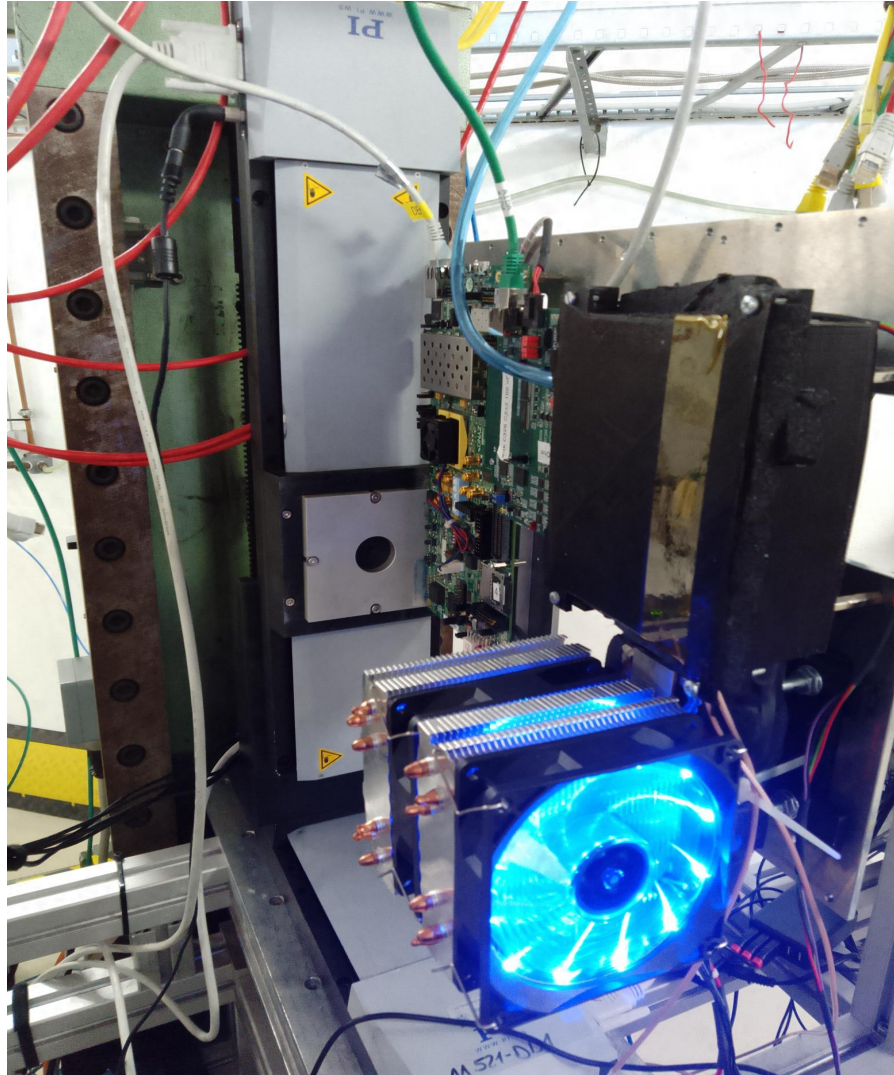
RD50-MPW4 - Peltier cooling enclosure



RD50-MPW4 - Peltier cooling enclosure



RD50-MPW4 - Peltier cooling enclosure



Samuel Powell

Peltier cooler

