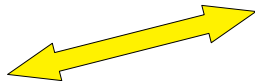
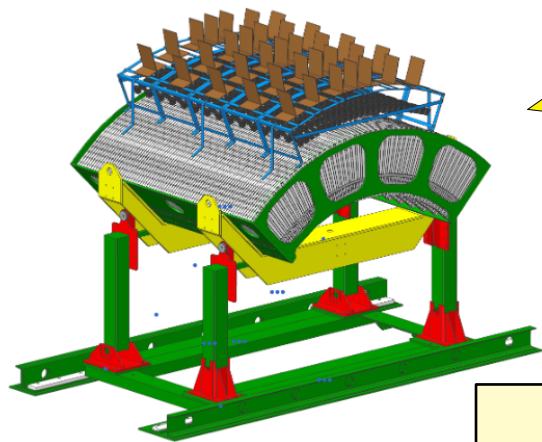


ENUBET test beam, East Hall T9 - August 14 – 28 , 2024



- Goal: test of the **ENUBET demonstrator** (2.2 x 1.7 x 1.4 m³ sampling calorimeter, **3.5 tons**).
- Demonstrator at CERN from 01.08, transport and handling requested via EDH, lifting instructions and documentation sent to HSE-OHS-PE (**same as 2022 and 2023**).
- Installation from Wed 14.08 to Thu 15.08 (safety clearance visit requested for Thu at 16:00)
- Setup: Demonstrator (self-standing, its support can tilt and move left/right) + silicon microstrip detectors (particle tracking) + plastic scintillators (trigger, muon tagging) on aluminum frames. + PICOSEC (gaseous tracking detector) below/behind
- Beam: electrons only (all energy range), muons to intercalibrate the channels. A few runs with hadrons (positive to have protons) to test high statistics.
- ISIEC done (ID: [1363](#))

