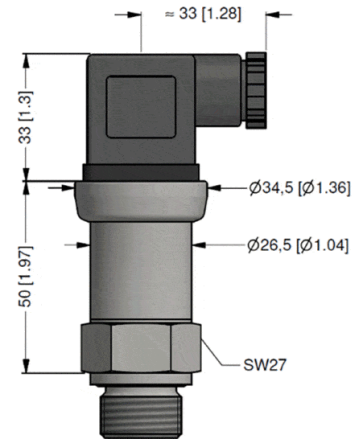


# Applied Measurements



Price: ~ 200 Pounds

## AT A GLANCE

- Ranges: 0-10mbar up to 0-1000mbar
- Gauge
- Outputs: 4-20mA / 0-10Vdc
- Supply: 8-32Vdc / 10-28Vdc / 14-30Vdc
- Accuracy:  $<\pm 0.35\%$  FSO
- Optional IS-version:  
Ex ia = intrinsically safe for gases and dusts

- **Designed for Very Low Range Pressure and Vacuum Applications**
- **Variety of Output Signals Available**
- **Mechanical & Electrical Configurations**
- **Excellent Linearity**
- **Small Thermal Effect**
- **Excellent Long-Term Stability**

<https://appmeas.co.uk/products/pressure-sensors/low-range-air-pressure-sensor-dmp343/>



Model Range: 3390

**Pressure switch with internal diaphragm**

**for lower pressure**

**Case in stainless steel**

**Accuracy 0.5%**

---

**Measuring range**

0-10 mbar up to 0-1000 mbar

-1-0 bar

---

**Pressure connection**

G 1/2 B

G 1/4 B (as Option)

---

**Output**

4-20 mA 2-wire system

0-20 mA / 4-20 mA

---

Price: ~ 300 EURO

<https://suku.de/en/product/194-type-3390-heim-pressure-sensor-4-20-ma-with-internal-diaphragm-lower-pressure.html>



Price: ~ 400 EURO

## Specifications

	Standard FS Pressure Ranges			
PR-41X (relative) PD-41X (diff.)	30	100	300	mbar
Overpressure	300	1000	1500	mbar
Neg. Overpressure	30	100	300	mbar
	2-Wire		3-Wire	
Supply ( $U_B$ ) 41X	8...28 VDC		13...28 VDC	
Supply ( $U_B$ ) 41X-Ei	10...30 VDC		15...30 VDC	
Analog Output (scaleable)	4...20 mA		0...10 V	
Load (k $\Omega$ )	$<(U_B - U_{Bmin.}) / 20 \text{ mA}$		$\geq 100$	
Error Band typ.*	$\pm 0,1 \text{ \%FS}$		$\pm 0,2 \text{ \%FS}$	
Error Band max.*	$\pm 0,2 \text{ \%FS}$		$\pm 0,3 \text{ \%FS}$	
* Within the compensated temperature range				
Stability	FS $\geq 100$ mbar: $\pm 0,1 \text{ \%FS}$		FS $\leq 100$ mbar: $\pm 0,1$ mbar	

## Special Versions

- IP67
- Alternative plugs (see front page)
- Cable version
- Pressure ranges neg./pos.: Example: -10...+10 mbar
- Intrinsically safe version for use in explosion exposed areas (must only be used in combination with certified intrinsically safe equipment!)