

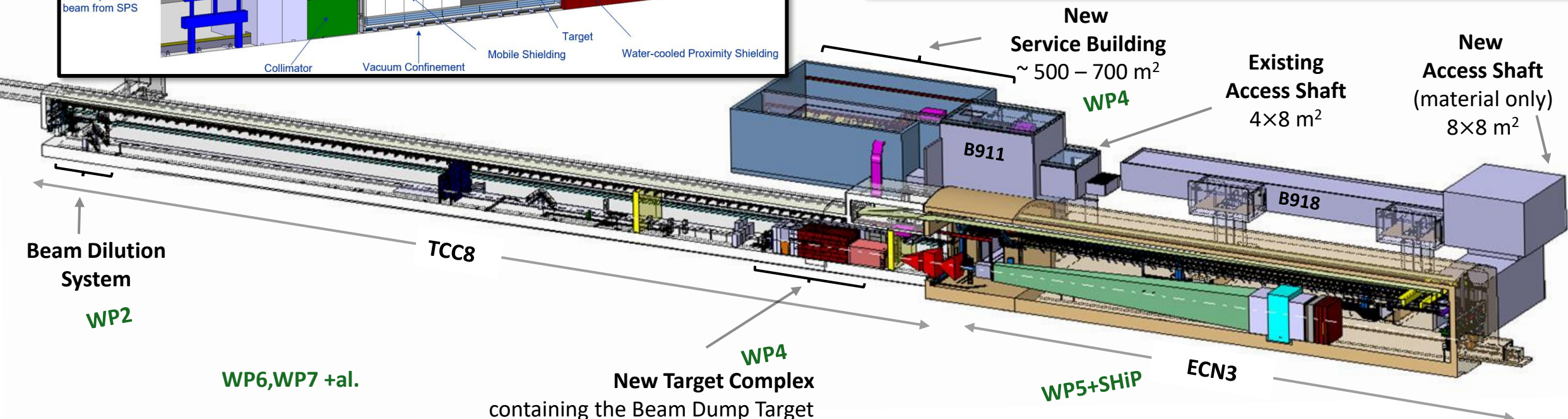
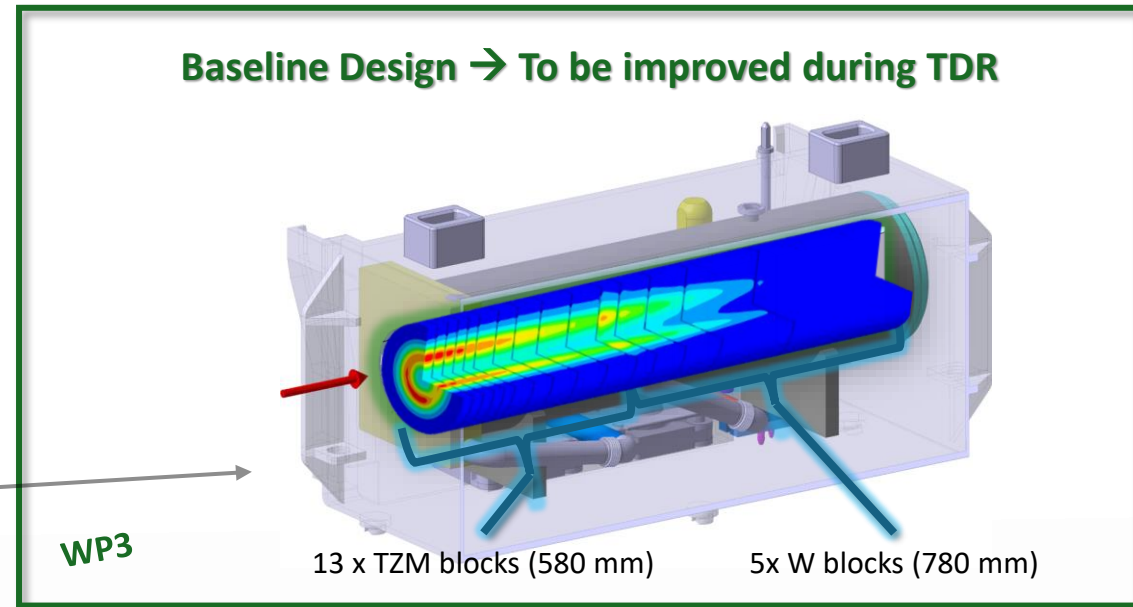
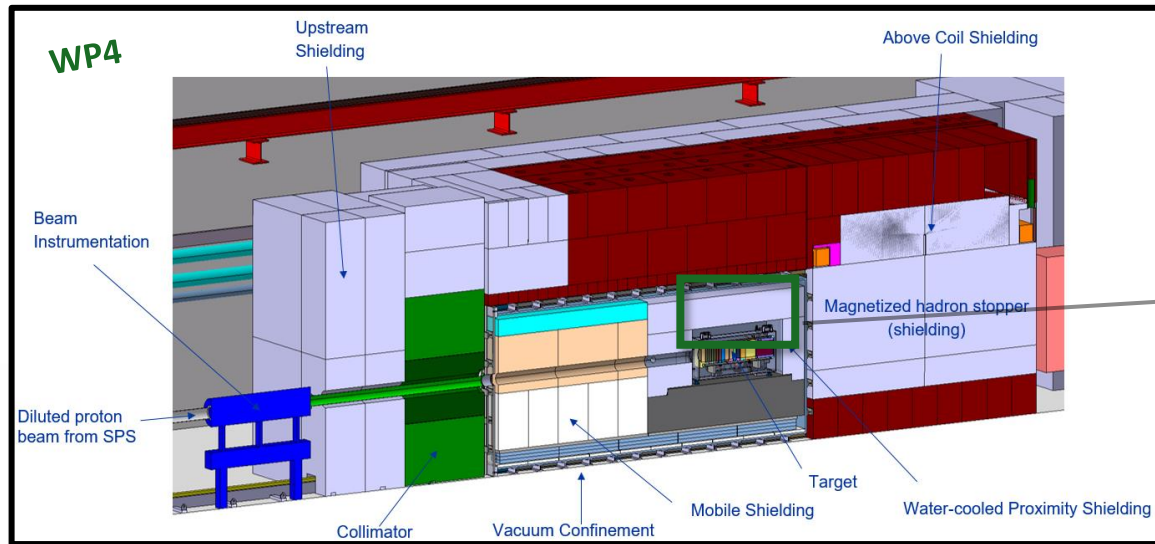
BDF target station

Design limits of responsibilities

R. Franqueira Ximenes, J-L. Grenard, C. Mucher – WP3, WP4

15-08-2024

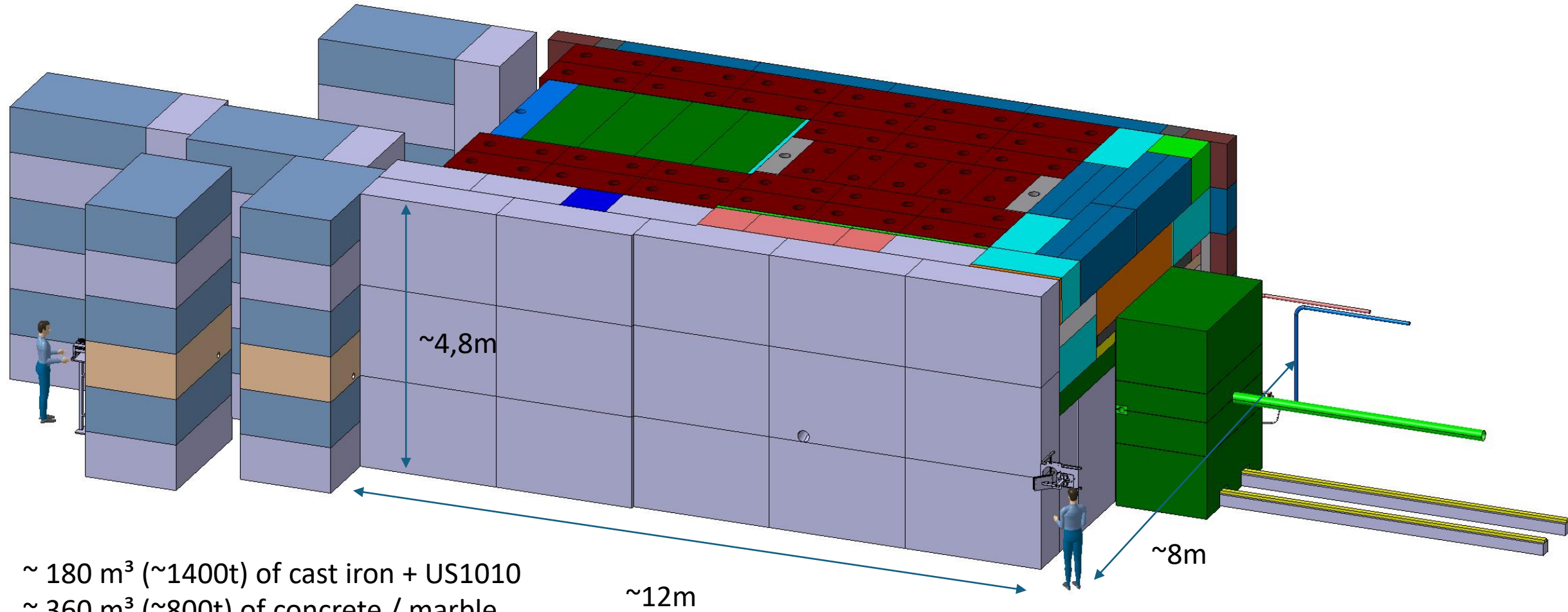
BDF/SHiP Target



Overall integration

BE-EA integration team coordinated by J-L. Grenard and F. Butin

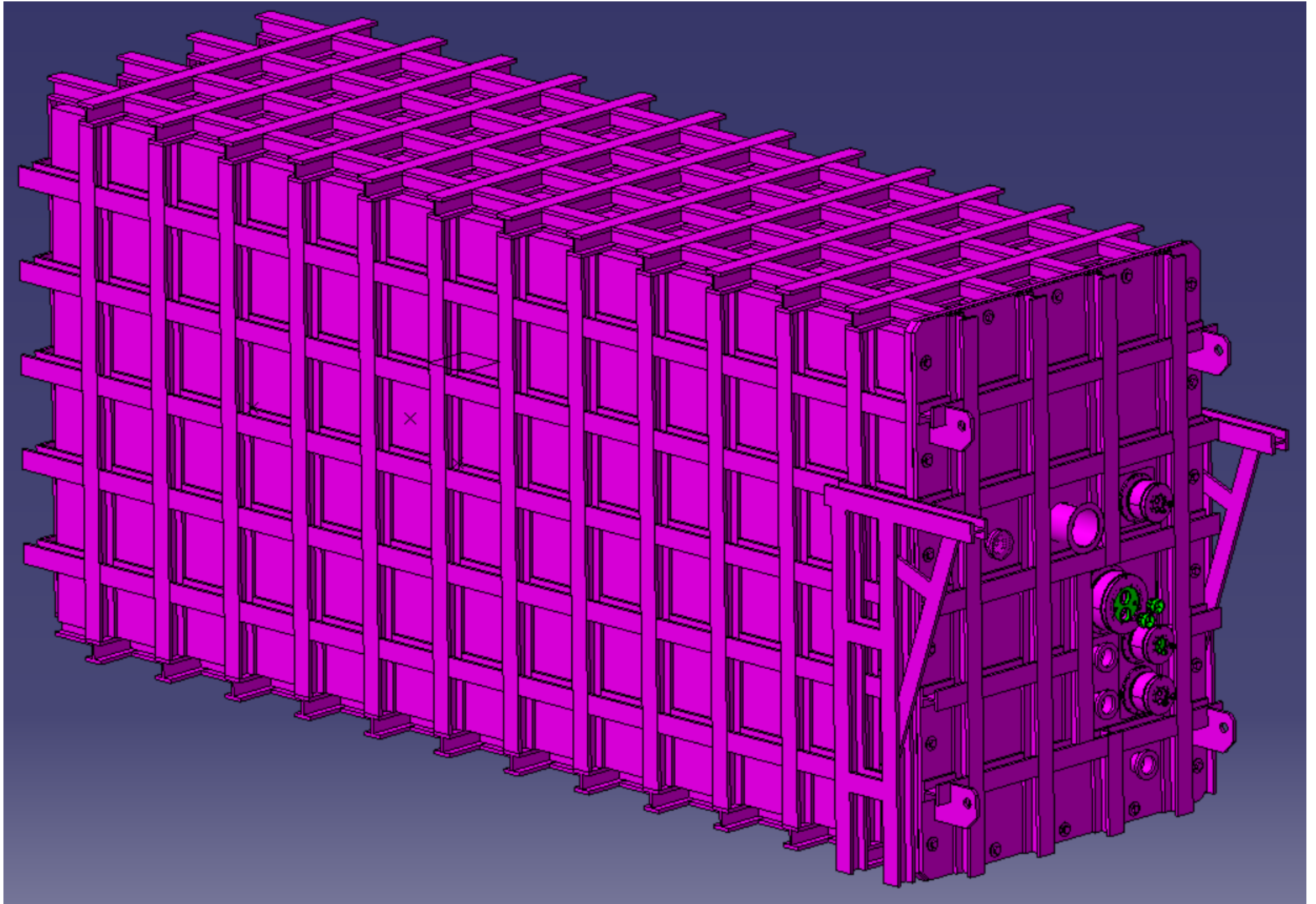
BDF Target complex integration - shielding



- SY-STI design
- EN-MME design

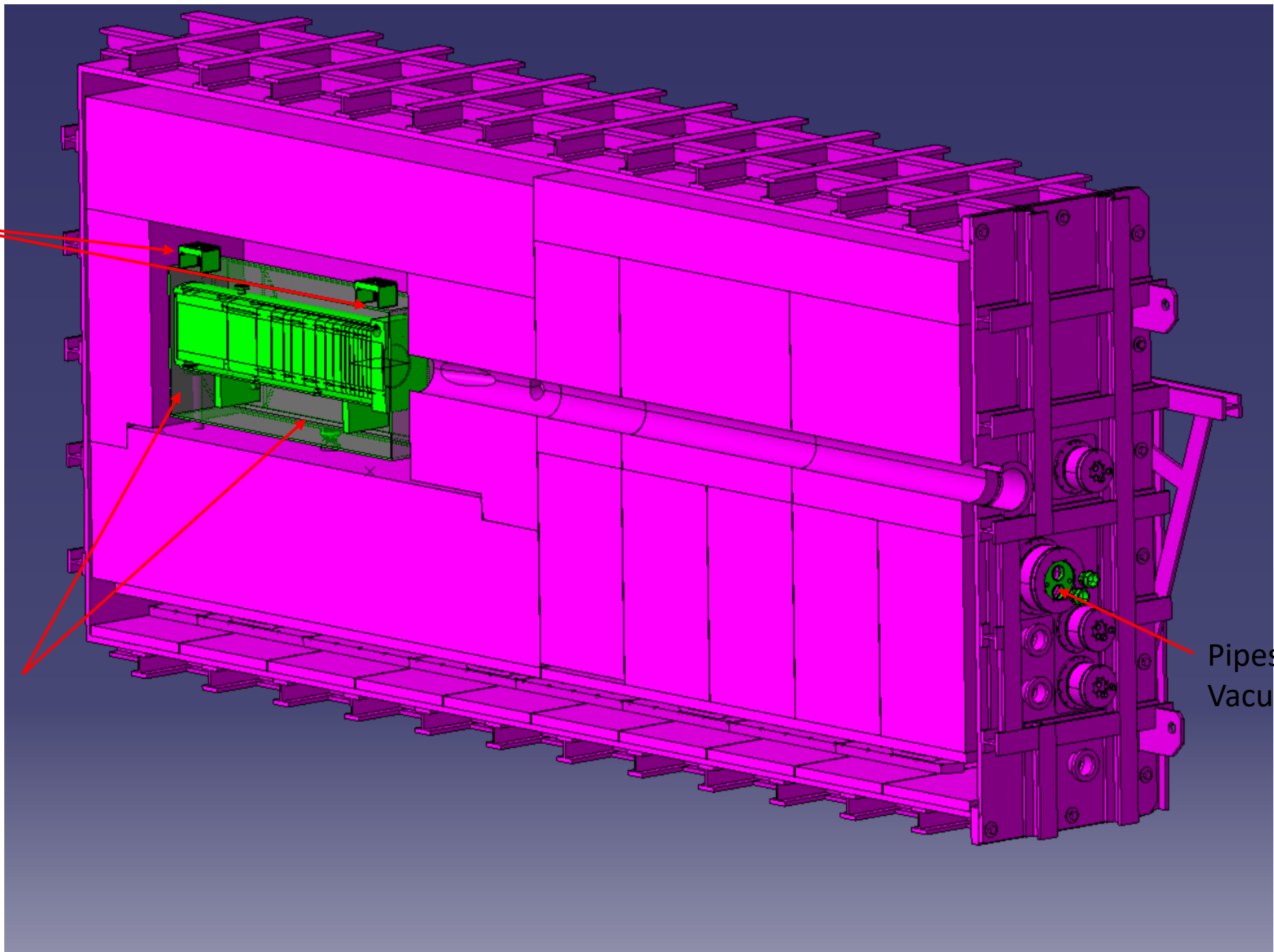
Overall integration
SY-STI

Ref: ST1760441_01

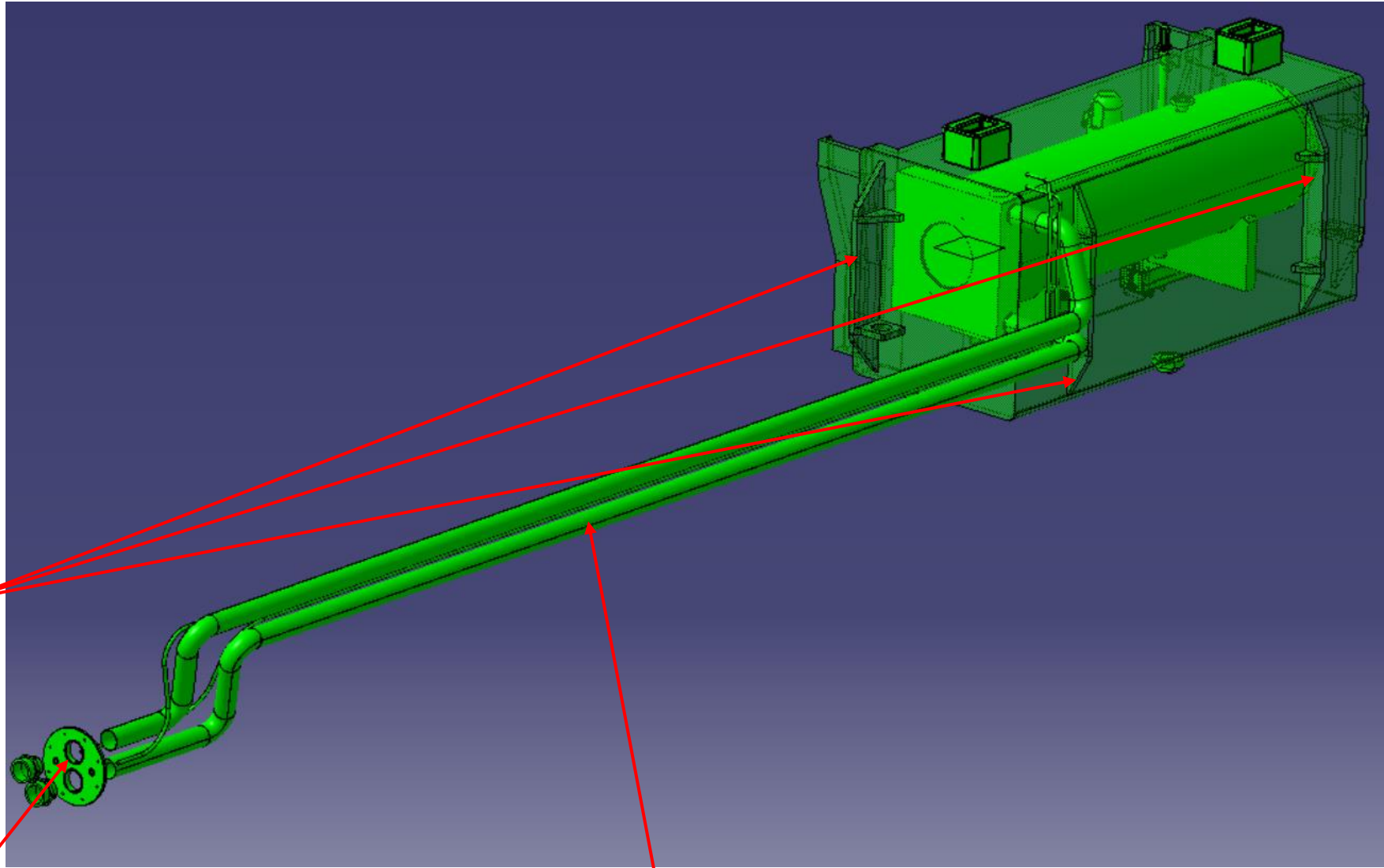


Lifting features

Alignment features
(interface with trolley)



Pipes interface with
Vacuum vessel



Pre guides features

Pipes interface with Vacuum vessel

Pipes routing