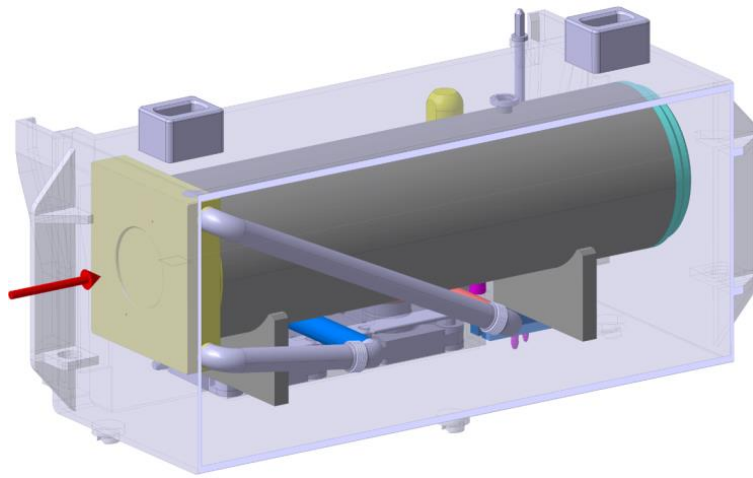


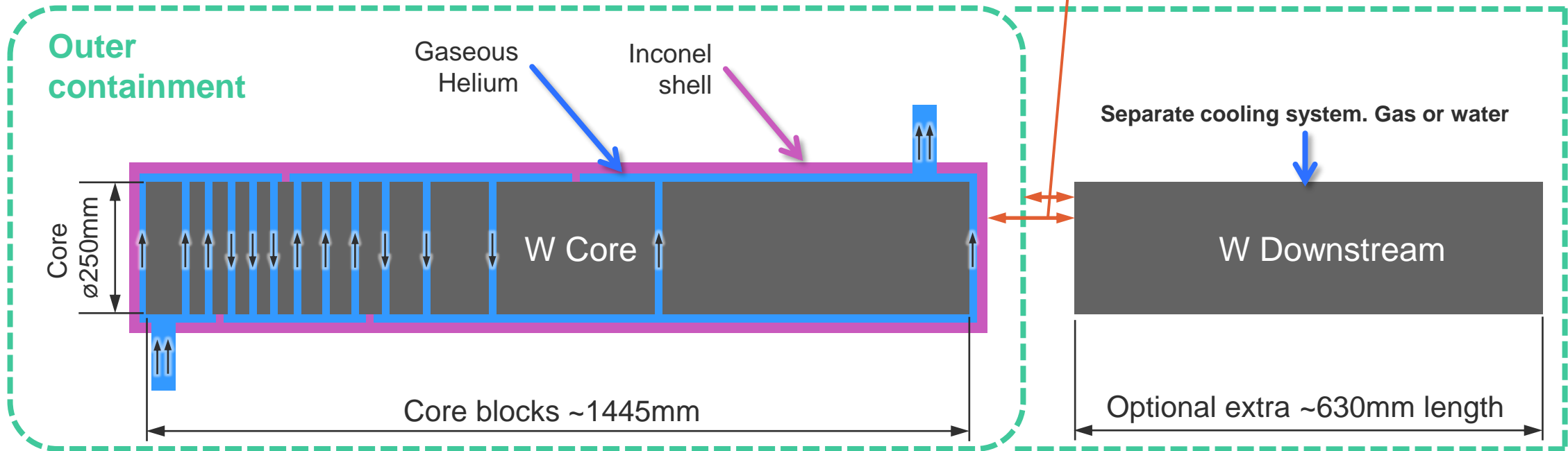
Target Layout



- Distance between downstream W and main target?? – UNKNOWN
- Close as possible for physics?
- Depends if is in same containment vessel + details of containment vessel(s)

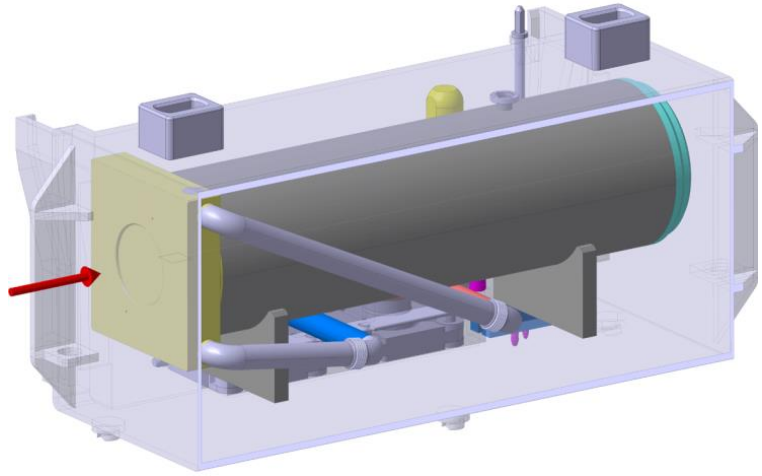
Not to scale

Optional extra downstream section



Target Layout

Not to scale



- Diameter driven by
- beam size (driven by mechanical engineering, & optics)
 - & physics
- 362 or 250mm blocks to be made via same manufacturing process. Material is available in both sizes.

Optional extra Diameter

beam

