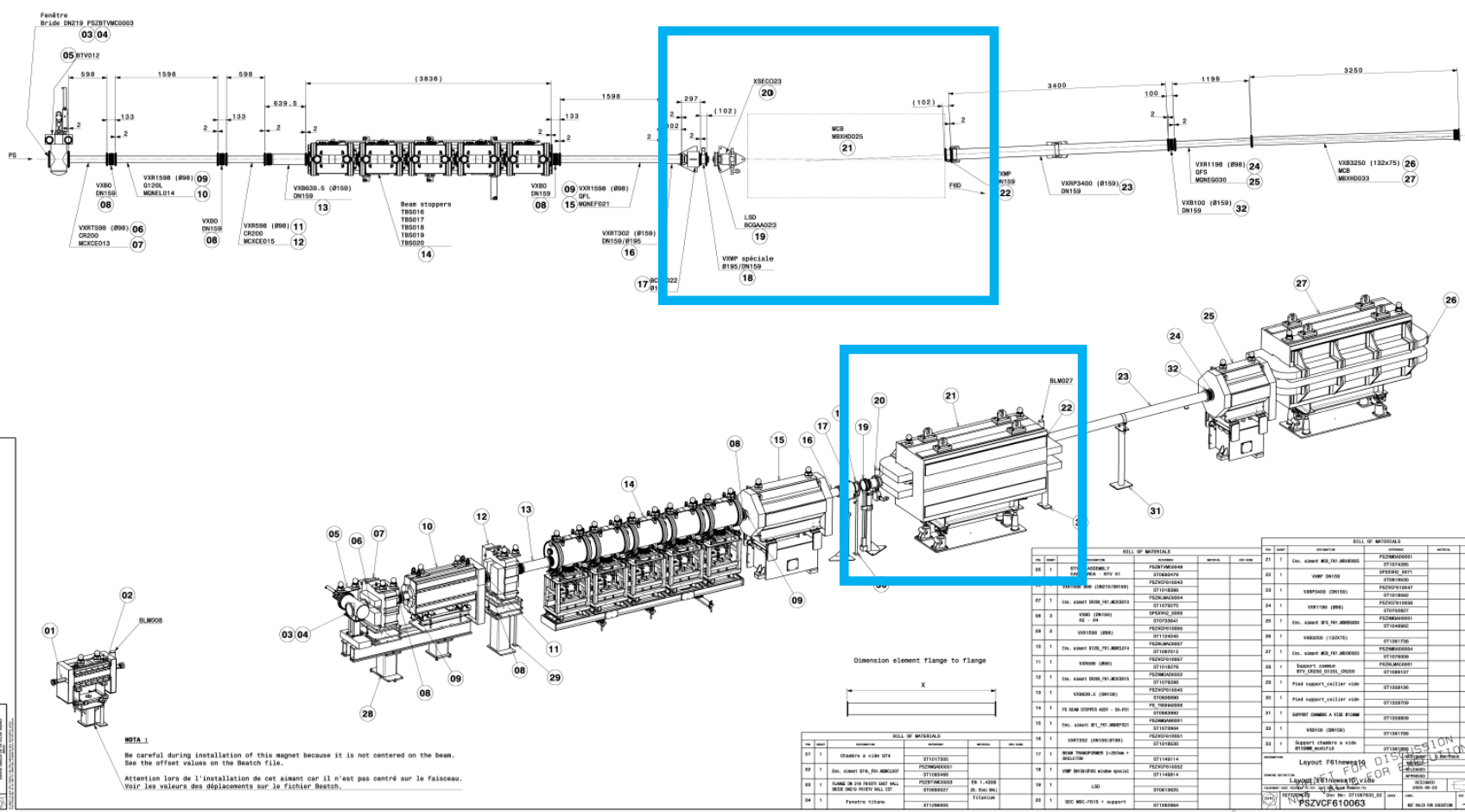


Vacuum BE/EA – F61 full vacuum in MBXHD025 and XSEC023

24 September 2024

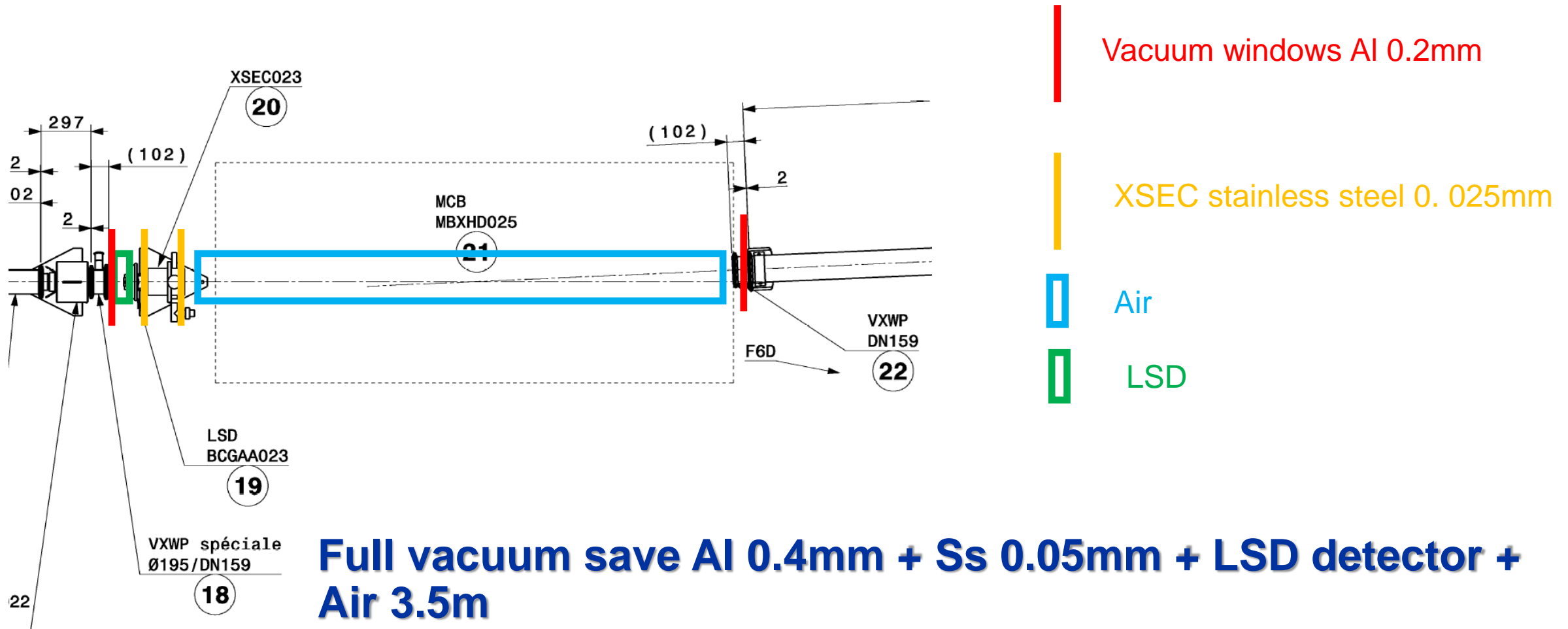
Philippe BOISSEAUX-BOURGEOIS

Current beamline configuration

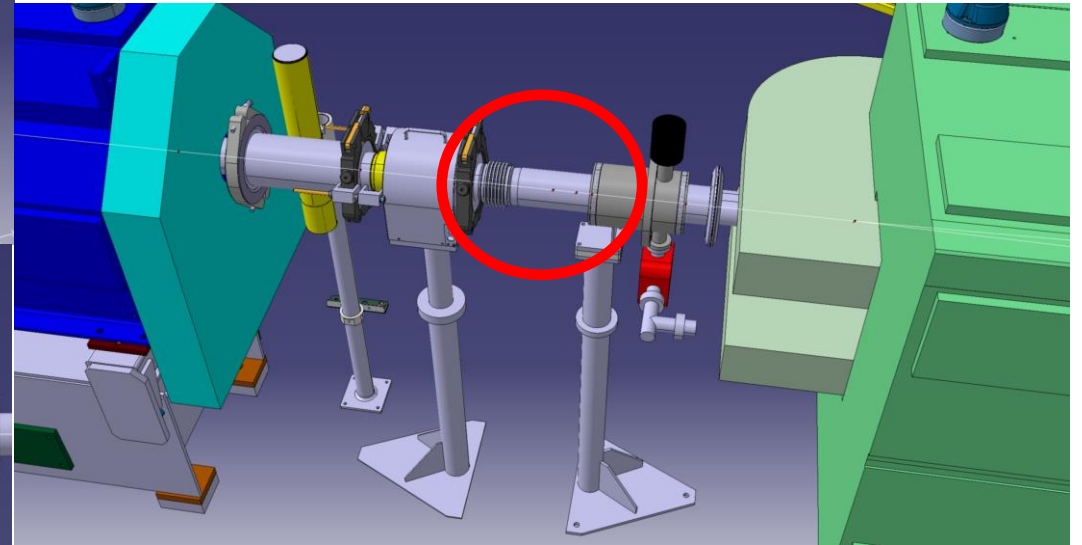
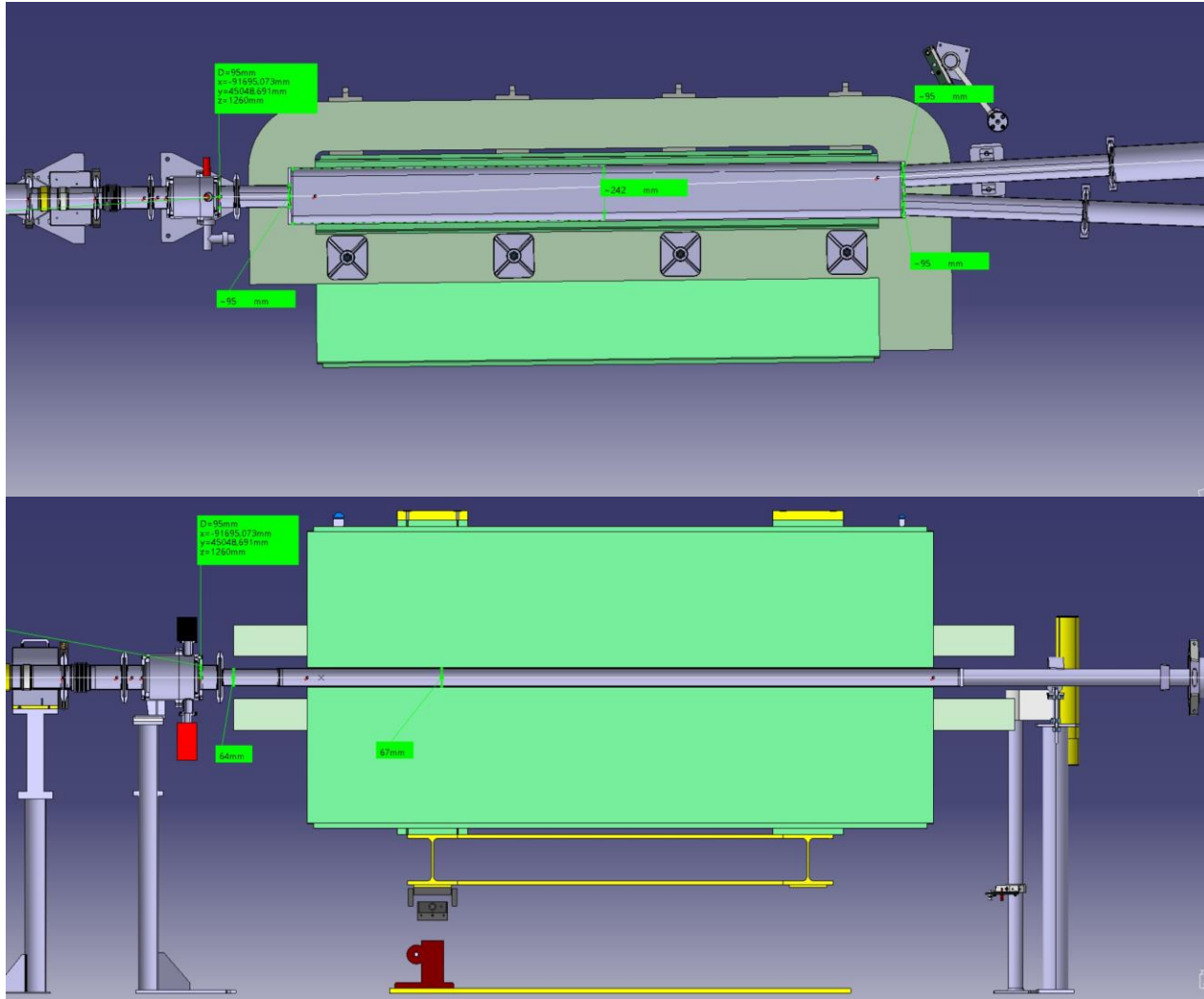


Increasing of vacuum in F61 for the CHIMERA/HEARTS experiment operation during the run 2025

Current beamline configuration



New beamline configuration

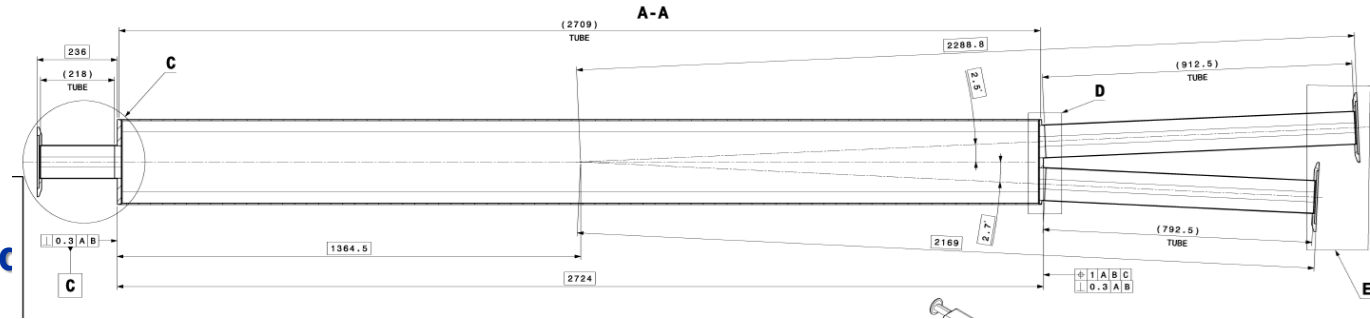


Planning (Manufacturing + Installation)

All drawing are now finished.

EN-MME will build the vacuum part before 15th January 2025

Installation on beam line between 20th January and the end of January.

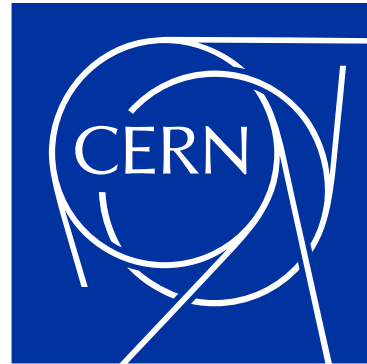


47	0%	▸ Modification F61 beam line	14 days	Tue 07-01-25	Fri 24-01-25						No
48	0%	Survey RP	2 hrs	Fri 10-01-25	Fri 10-01-25	HSE-RP	A. Herve				No
49	0%	Vacuum maintenance & inspection lines	1 day	Tue 07-01-25	Tue 07-01-25	BE-EA	P. Boisseaux-Bourgeois	DSS			No
50	0%	▸ New position of LSD023	2.5 days	Mon 13-01-25	Wed 15-01-25						No
51	0%	Disconnection control & gas	2 hrs	Mon 13-01-25	Mon 13-01-25	BE-EA,SY-BI	J. Tan; D. Jaillet				No
52	0%	Move & install the LSD023 upstream of the BTV012	1 day	Mon 13-01-25	Tue 14-01-25	BE-EA	A. Ebn Rahmoun	DSS	51		No
53	0%	New cables installation	1 day	Mon 13-01-25	Mon 13-01-25	EN-EL	J. Tan	I. Ortega,S. Deschamps			No
54	0%	New gas pipe installation	1 day	Tue 14-01-25	Tue 14-01-25	BE-EA	D. Jaillet			53	No
55	0%	Tests of LSD	4 hrs	Wed 15-01-25	Wed 15-01-25	SY-BI	J. Tan	I. Ortega,S. Deschamps	54		No
56	0%	Remove Ionic pump and windows XSEC023	4 hrs	Mon 13-01-25	Mon 13-01-25	SY-BI	A. N. Goldbaltt	M. Duraffourg			No
57	0%	New vacuum pipe installation inside magnet F61.MBXHD025	1 day	Mon 20-01-25	Mon 20-01-25	BE-EA	P. Boisseaux-Bourgeois	DSS			No
58	0%	Installation new vacuum tube support	4 hrs	Tue 21-01-25	Tue 21-01-25	BE-EA	P. Boisseaux-Bourgeois	DSS	57		No
59	0%	Vacuum connection between BCTF022 to MBXHD025	4 hrs	Tue 21-01-25	Tue 21-01-25	BE-EA	P. Boisseaux-Bourgeois	DSS	58		No
60	0%	Vacuum tests	1 day	Wed 22-01-25	Wed 22-01-25	BE-EA	P. Boisseaux-Bourgeois	DSS	59		No
61	0%	Cleaning after works	4 hrs	Thu 23-01-25	Thu 23-01-25	SCE-SSC	P. Da Costa		60		No
62	0%	Update panorama pictures GIS portal	1 day	Fri 24-01-25	Fri 24-01-25	BE-EA	J. Buesa Orgaz				No
63	0%	Leveling Gallery & gallery 817 Sector 5	4 hrs	Mon 02-12-24	Mon 02-12-24	BE-GM	C. Venduvre				No
64	0%	Beam Stopper maintenance and tests F61.016;017;018;019;020	1 day	Mon 02-12-24	Mon 02-12-24	BE-CEM,SY-STI	E. Grenier-Boley	J. Lendaro			No
65	0%	DSO Tests	2 days	Mon 10-02-25	Tue 11-02-25	DSO,EN-AA	CCC	D. Chapuis,DSO,D. Cotte			Yes

Documentation

Finite Element Analysis for the MCB Vacuum Chamber in F61
EDMS [3162570](#)

ECR - Installation of vacuum in F61.MBXHD025 for CHIMERA/HEARTS
EDMS to be create ??



<https://cern.ch/be-dep-ea>