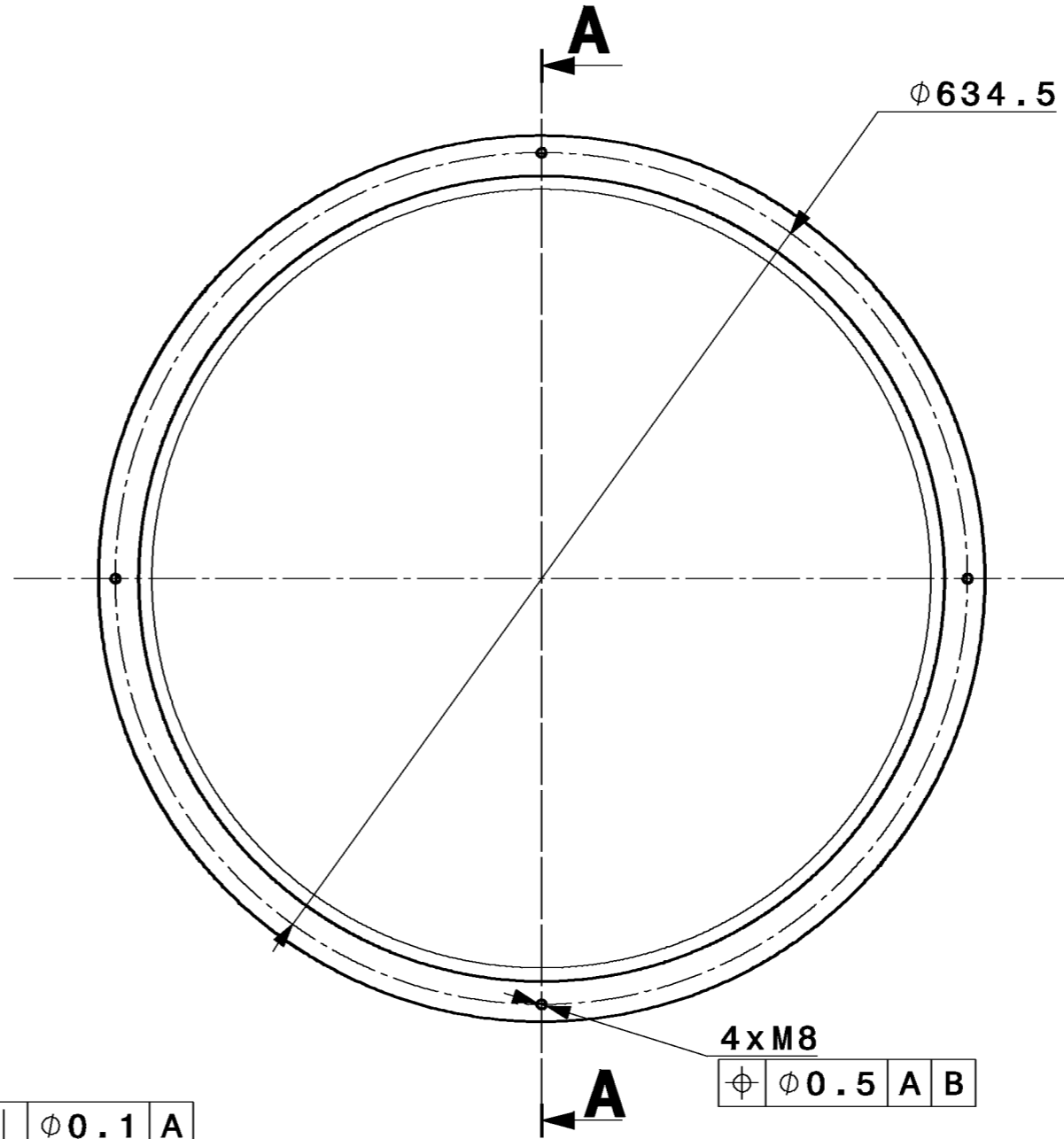
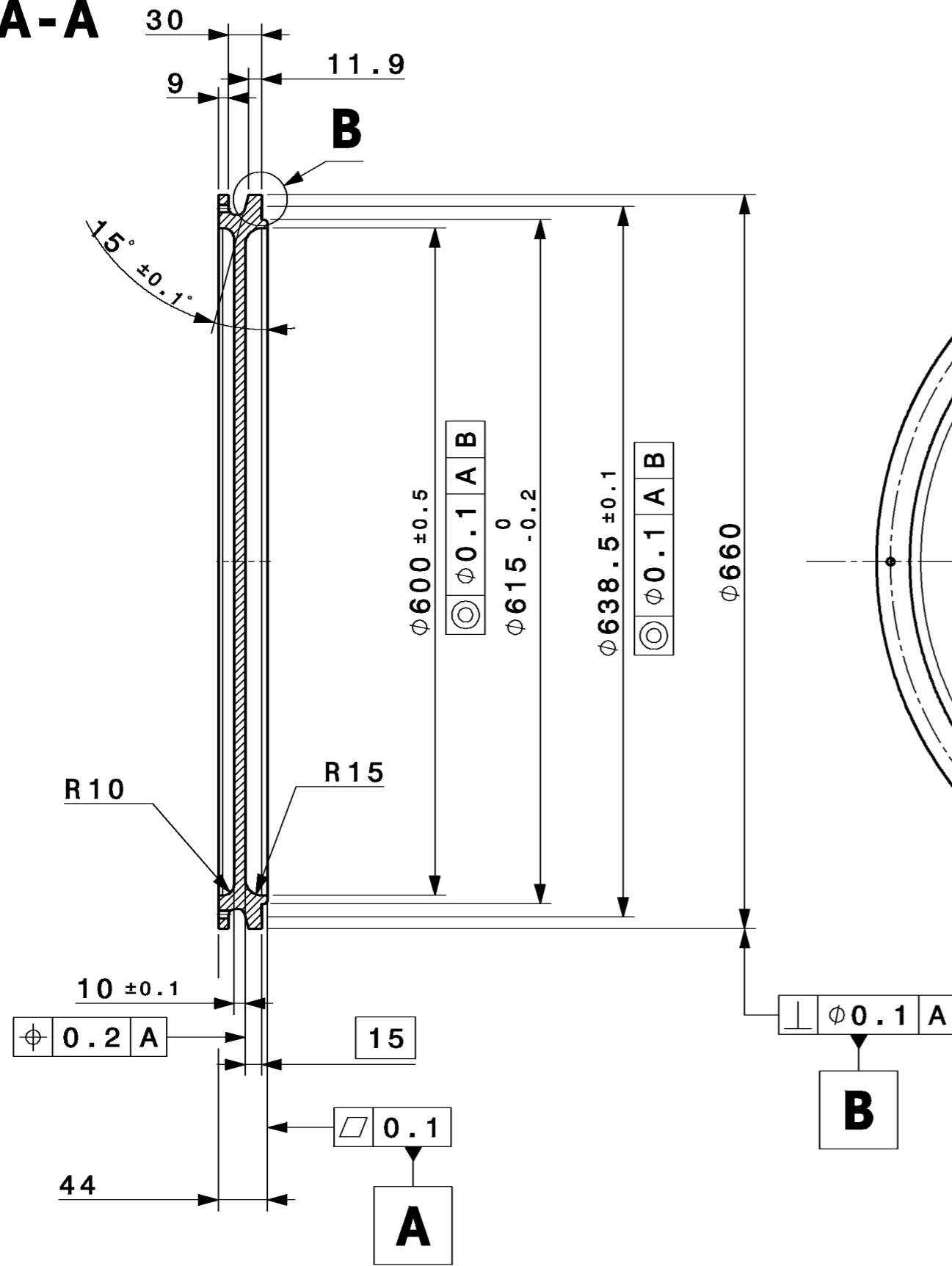
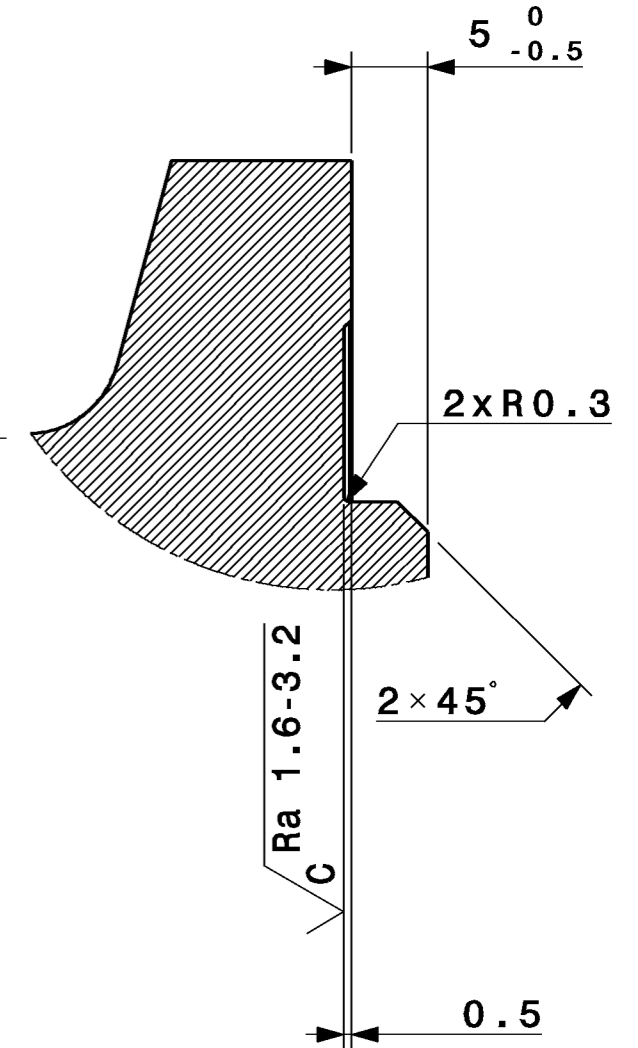


A-A



B
2:1



MATERIAL	INITIAL STATE	FINAL STATE
Titanium Ti-6Al-4V ELI	3D FORGED	
ISO GPS STANDARDS		
ISO 2768-mK	√ Ra 3.2	ISO 13715 $\begin{matrix} -0.3 \\ +0.3 \end{matrix}$
Unless otherwise mentioned, applicable ISO GPS standards are those prior to 2010-08-01 regardless of the drawing date		
MASS 21.2 kg	WHERE USED LHCVDWB_0009	[Last checked at 2020-06-05 08:58]
DESIGNATION DOWNSTREAM WINDOW	DESIGNED	F. SANTANGELO
	CHECKED	C. GARION
	RELEASED	J. FINELLE
	APPROVED	
EQUIPMENT CODE LHCVDWB_Vacuum - Dump lines - Window - ID603.6		RELEASED 2020-06-12
REFERENCES LHCVDWB_0012	Doc No: ST1231658_02	INDEX
LABEL FOR INFORMATION		QAC -
		SHEET 1/1

ORGANISATION EUROPEENNE POUR LA RECHERCHE NUCLEAIRE
 EUROPEAN ORGANIZATION FOR NUCLEAR RESEARCH
 GENEVE

Ce dessin ne peut être utilisé à des fins commerciales sans autorisation écrite
 This drawing may not be used for commercial purposes without written authorization