



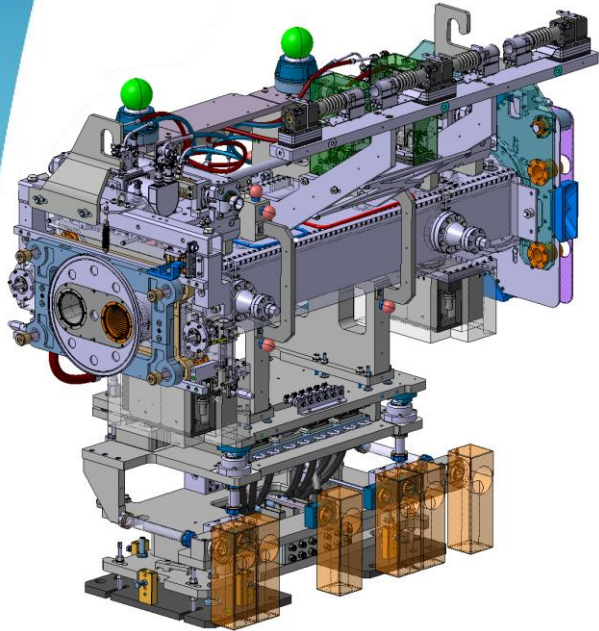
SAT at CERN for collimator supports - 16/12/2024

EDMS 3212394

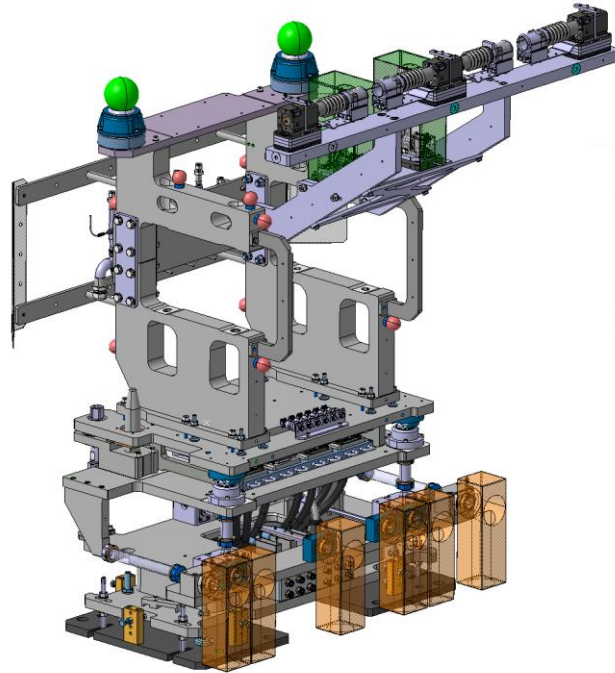
Thibaut Parmentier



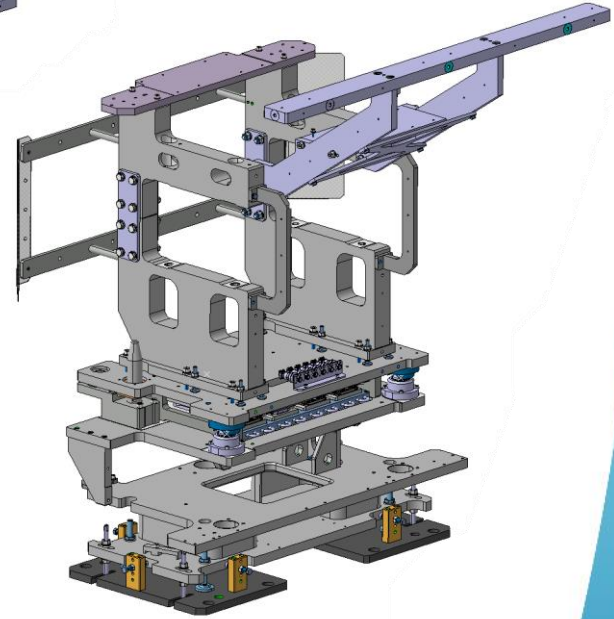
Supports for X-series and masks



Installed collimator
(TCLPX)

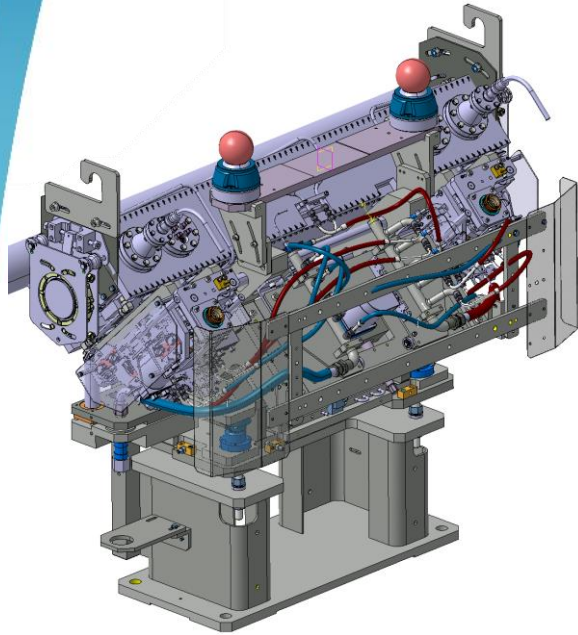


Collimator support

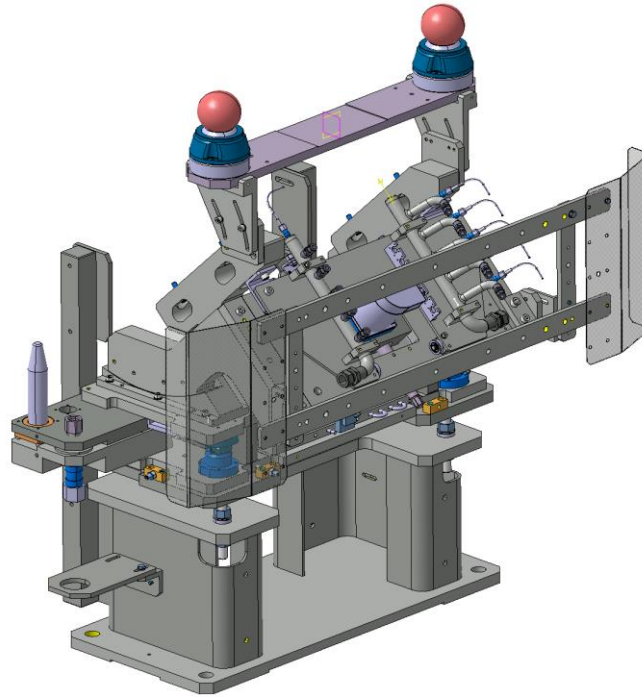


Produced by MC Uldall

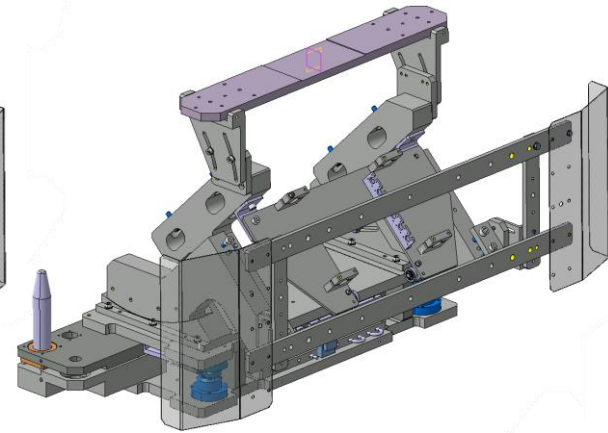
Supports for TCSPM and TCTPM



Installed collimator
(TCSPM 45°)



Collimator support



Produced by MC Uldall

Schedule

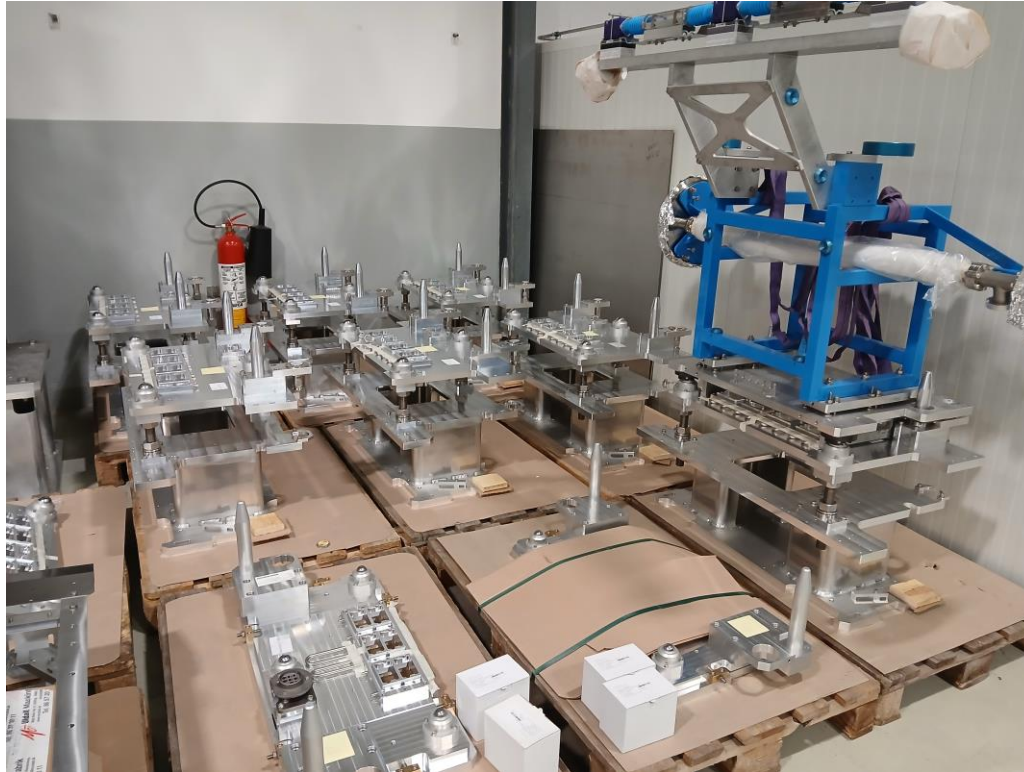
- Week 47 2024: Delivery of the Pre-series units
 - 3 Supports for X-series and masks
 - 1 Support for TCSPM
 - 7 Supports for tests at CERN
 - Loose parts for linear stage
- Week 27 2025: Delivery of the Series units
 - 28 Supports for X-series and masks
 - 11 Supports for TCSPM
 - 10 Supports for TCTPM

Description of the SAT

- Reception and inventory
- Assembly of a linear stage & TCSPM support
- Mounting of commercial components
- Insertion tests

Description of the SAT

- Reception and inventory



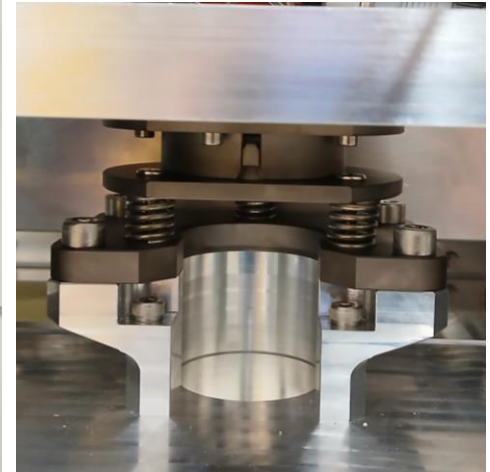
Description of the SAT

- Assembly of a linear stage & TCSPM support



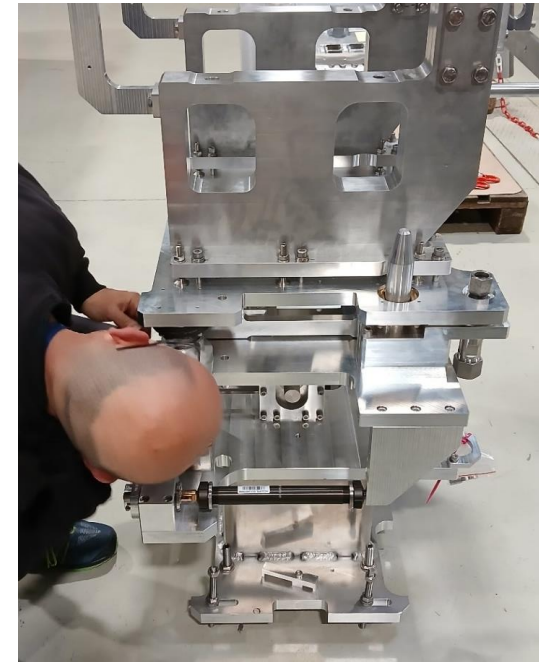
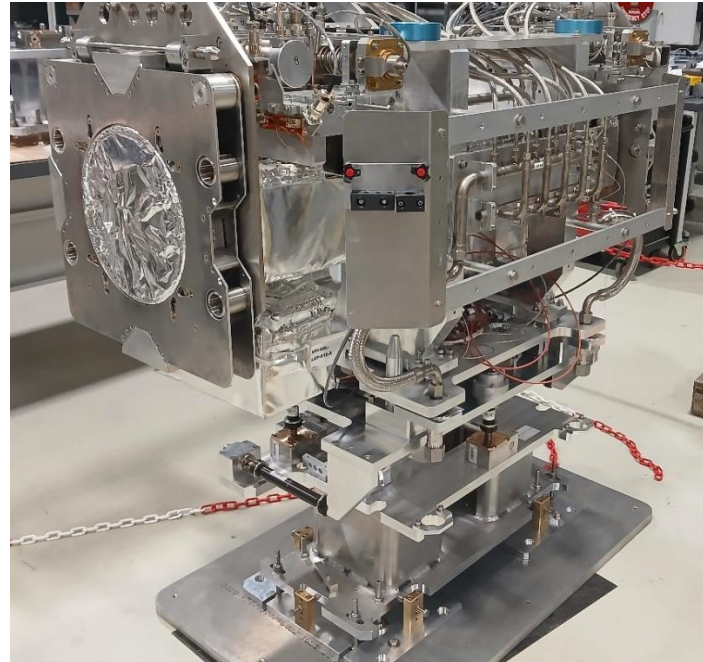
Description of the SAT

- Mounting of commercial components



Description of the SAT

- Insertion tests

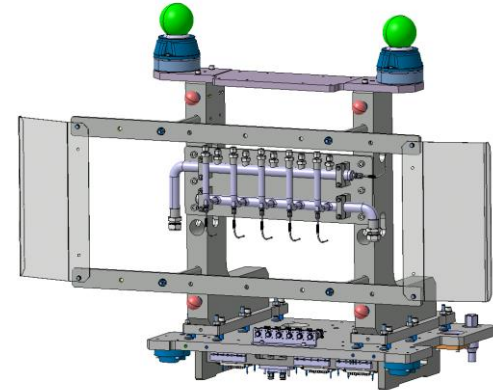
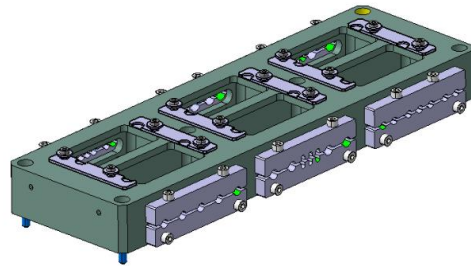
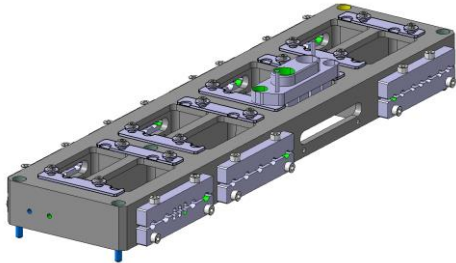


Next steps

- Remarks for the series production
- Acceptance of the pre-series and green light for the series production
- Storage

Next steps

- Remarks for the series production
 - Partial delivery, order to be defined
 - Compression of assemblies for shipment
 - Hypertack patch panels to be sent separately
 - Modification for GM reflectors on TCTPXH supports



Next steps

- Acceptance of the pre-series and green light for the series production
 - Pre-series acceptance: end of week 51
 - Green light series production: 04/12/2024
- Storage



Questions