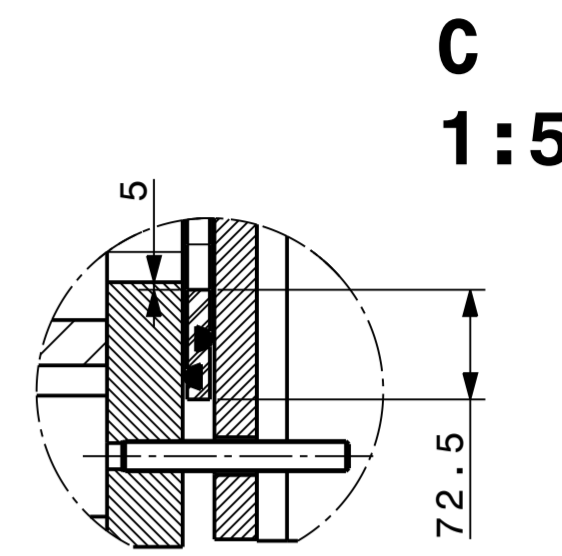
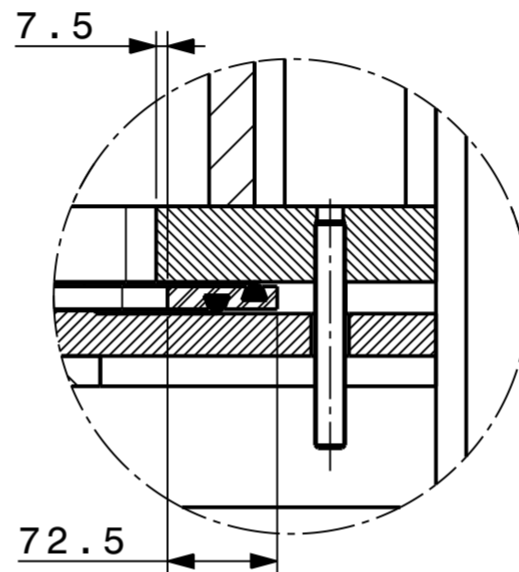


**B**  
**1:5**

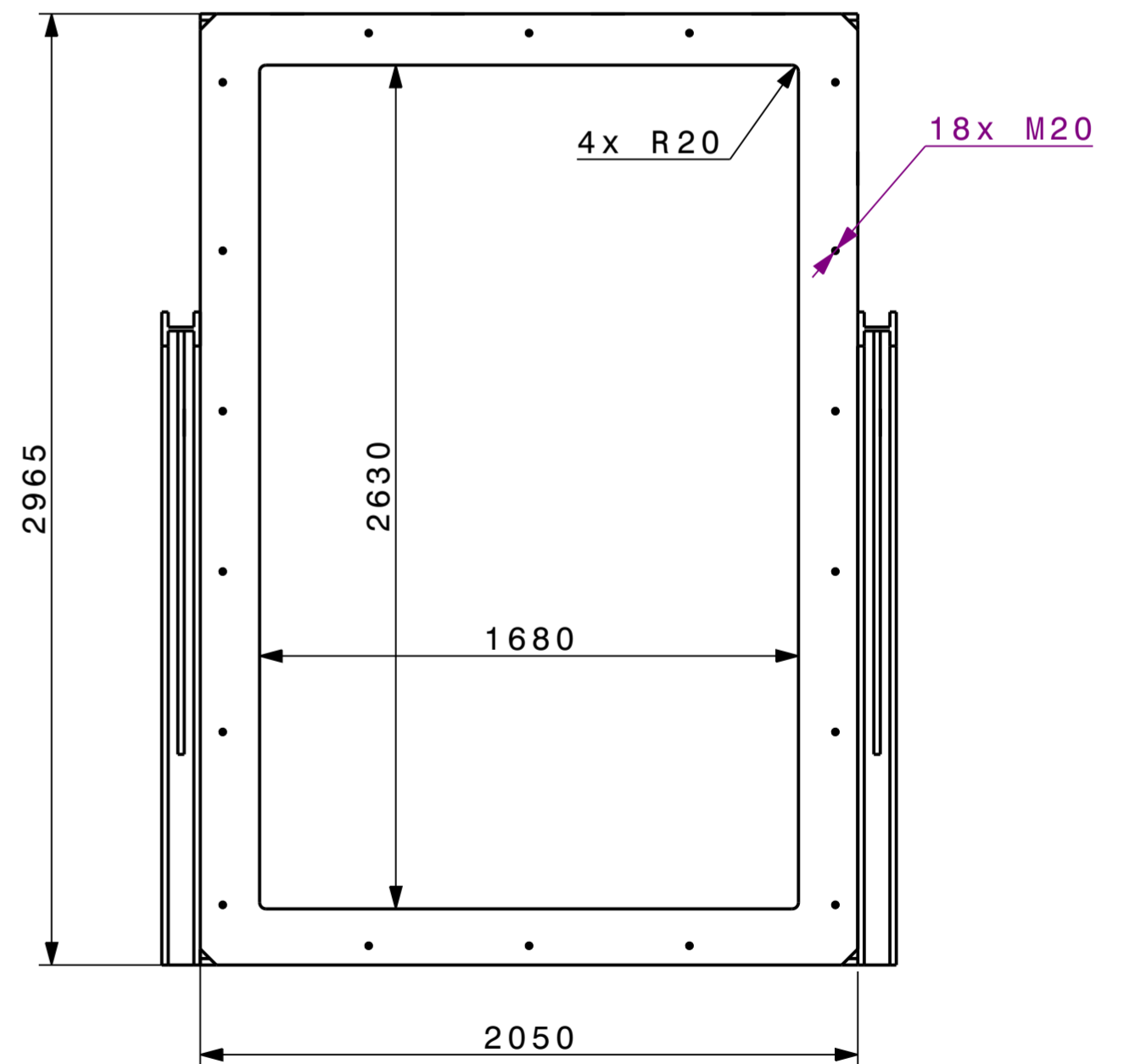


**C**  
**1:5**

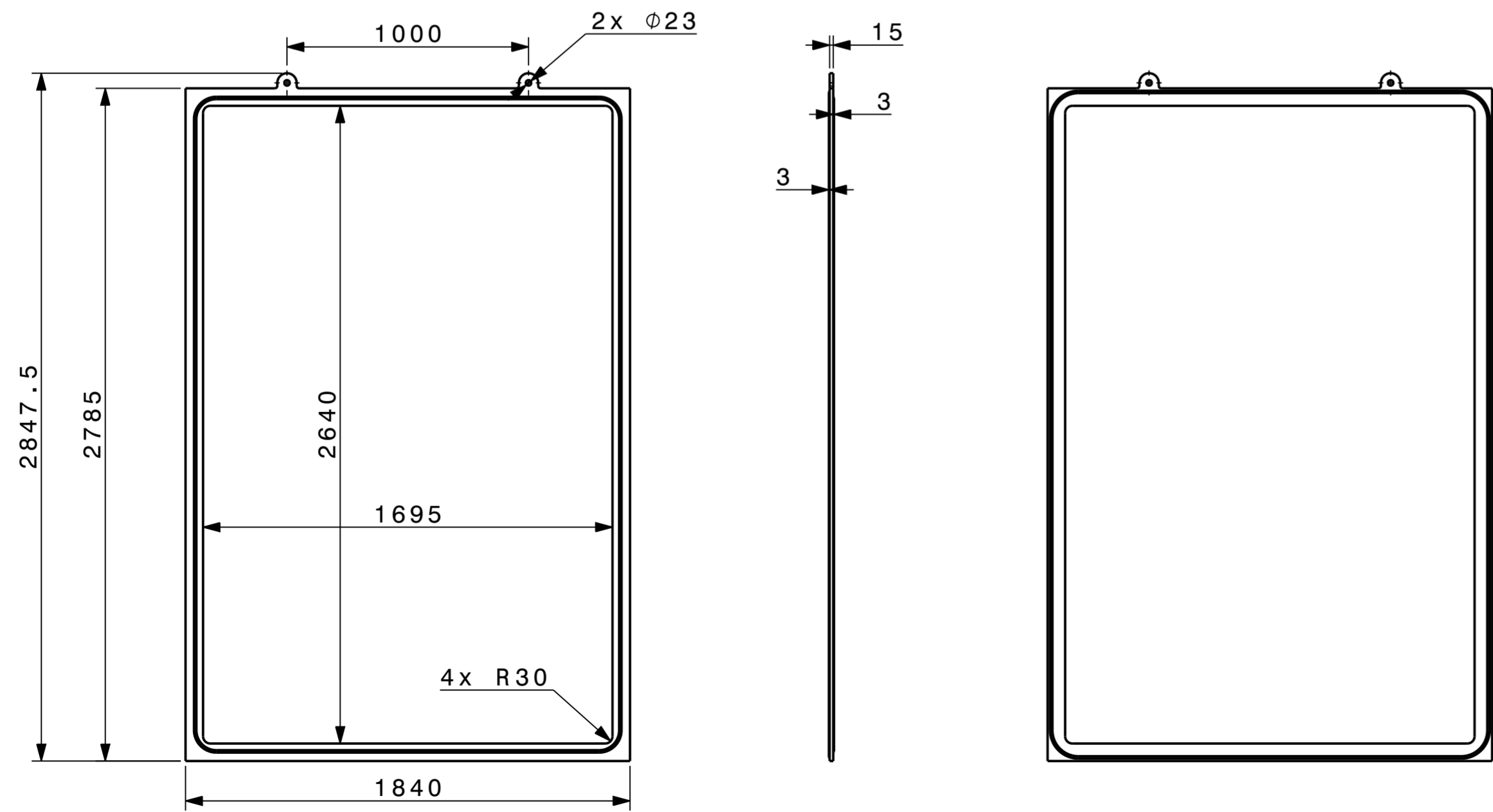


**D-D**  
**1:5**

**VACUUM VESSEL**



**Frame + seal**



WHERE USED		Not Applicable		(Last checked at 2024-10-04 09:03)	
DESIGNATION	VACUUM VESSEL WITH TECHNETICS SEAL			DESIGNED	C.MUCHER
CHECKED				RELEASED	
APPROVED				APPROVED	
DRAWING DEFINITION				DESIGNED	2024-10-04
VACUUM VESSEL WITH TECHNETICS SEAL v2				INDEX	
EQUIPMENT CODE	REFERENCES	Doc No: ST1933228_03	INDEX	LABEL	QAC
NOT VALID FOR EXECUTION				SHEET	
				1/1	