



Science and
Technology
Facilities Council

Status of SRF facilities at UKRI/CI

Daniel Seal
daniel.seal@stfc.ac.uk

14th IFAST WP9 Meeting
12th Feb 2025



Lancaster
University

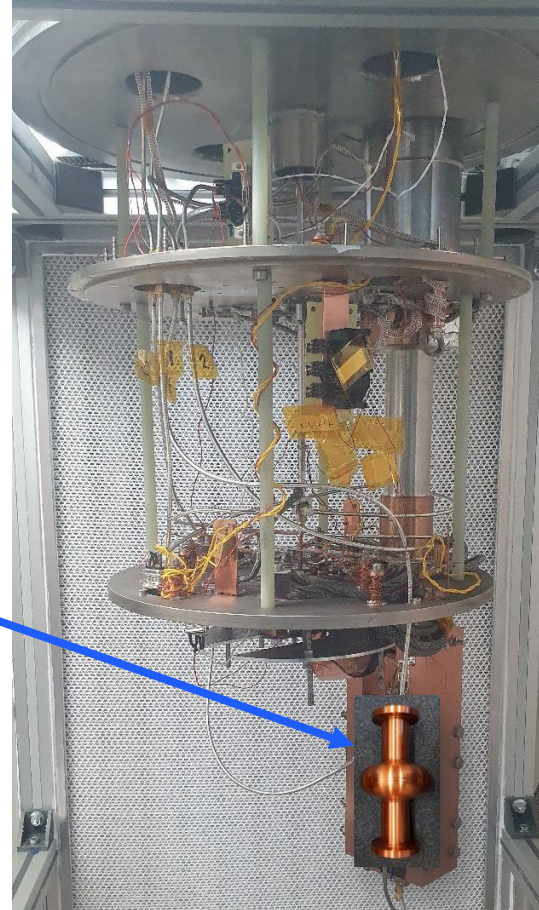


UNIVERSITY OF
LIVERPOOL



Choke Cavity & 6 GHz Facility

- Long delays due to compressor & cold head issues - **now fixed**
- Test cooldown with system now reaching 2.7 K
- Modifications to 6 GHz & 7.8 GHz amplifier system in progress
- Currently possible to test 6 GHz cavities at low power with VNA – **by end Feb**
 - Split cavities to resume testing
 - Aim to try testing INFN seamless cavities this week with new cavity mounts
- Waiting for RF modifications to resume sample Choke Cavity tests – **this month**
- Higher power tests within a couple of months



High Power Cavity Test Facility

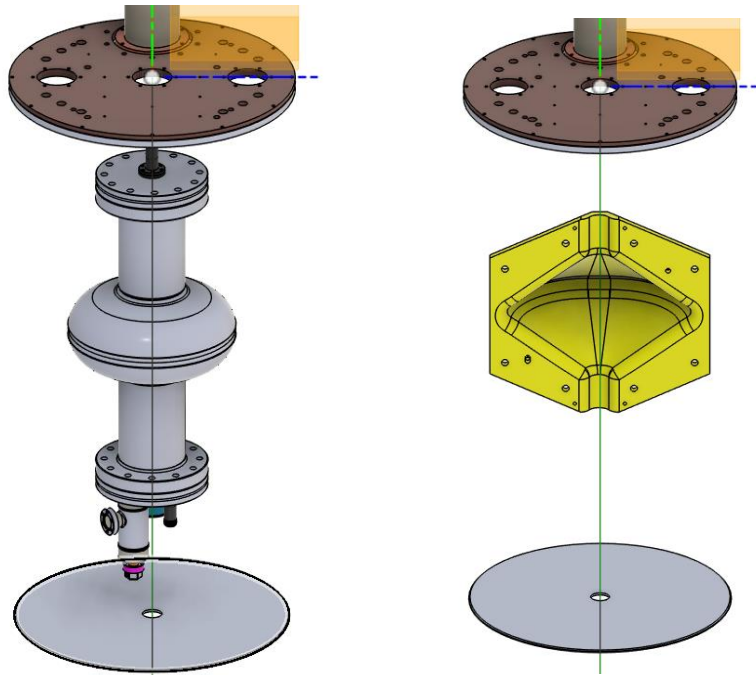
- **Status:**
 - Cryostat is available
 - Cavity insert stand assembled
 - 1.3 GHz RF system is ready
 - RF & electrical cabling in progress
- **1.3 GHz cavities:**
 - 3 x bulk Nb to be sent to CEA for treatment - **delays**
 - 1 cavity required for facility commissioning
- Commissioning within a couple of months



Low Power Cavity Test Facility

- **Status:**

- Cryostat assembled
- Electrical work and vacuum system completed
- RF & control system in progress
- Modifications for split cavity mounting
- Design of cavity heat links



Outlook

- 6 GHz cavity testing to resume:
 - INFN seamless cavities this week
 - Split cavities by the end of Feb
- Planar sample testing to resume by end of Feb
- Low power 1.3 GHz facility – commissioning April
- High power 1.3 GHz facility – commissioning April

Acknowledgements

STFC/CI: O. B. Malyshev, J. Rigby, O. Poynton, A. Akintola, T. Sian, R. Valizadeh, L. Smith, J. Conlon, C. Benjamin, S. Pattalwar, G. Miller, A. Blakett-May, A. Vick, C. Hill, M. Pendleton, M. Jones, P. Smith, A. Wheelhouse, D. Mason, S. Bibby-Trevor, R. McAllister, A. Palmer, A. Wootten, P. McGuinness

Lancaster University/CI: G. Burt, N. Leicester, H. Marks, A. Mogheysheh

University of Liverpool/CI: S. Simon, J. Bradley