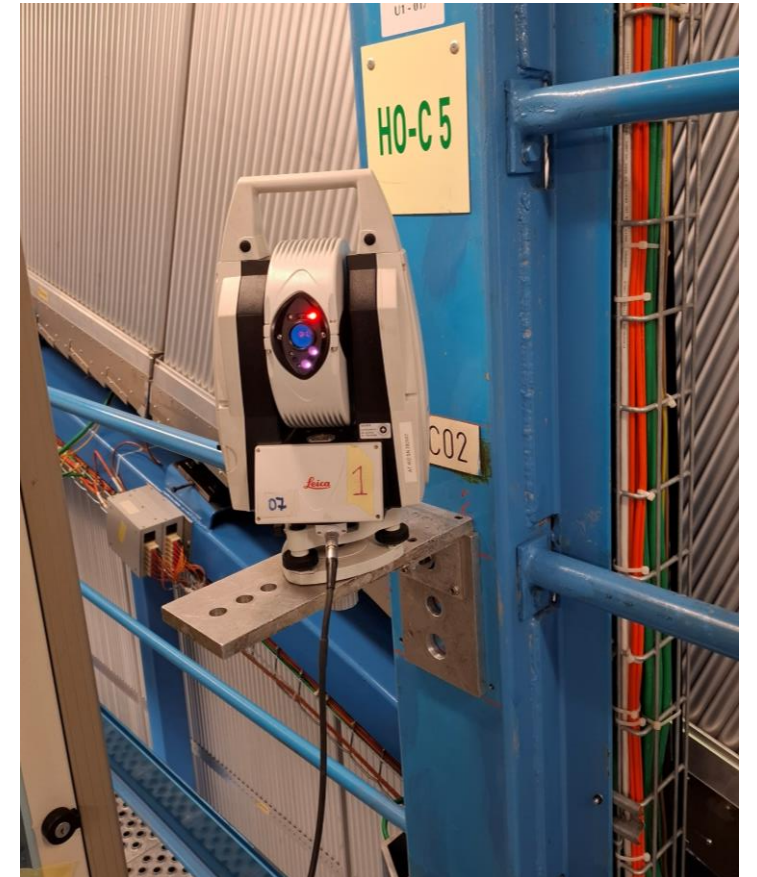


Survey Integration Accessories

Dirk MERGELKUHL, Solomon KAMUGASA (BE-GM-ESA)

26.02.2025

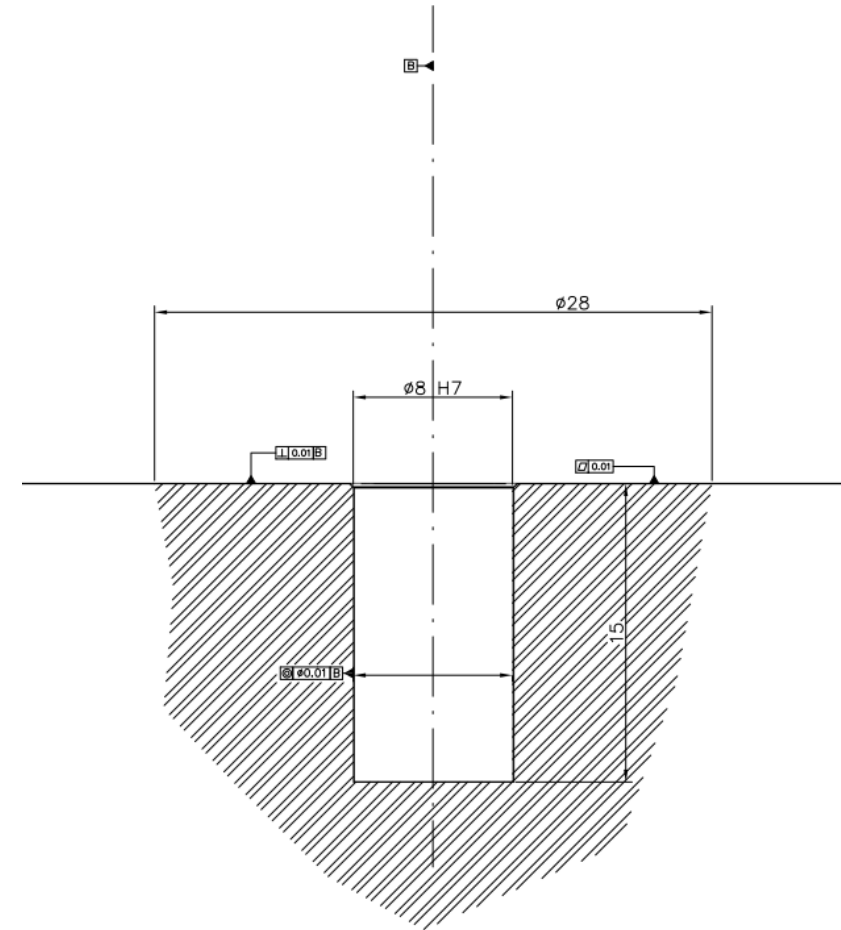
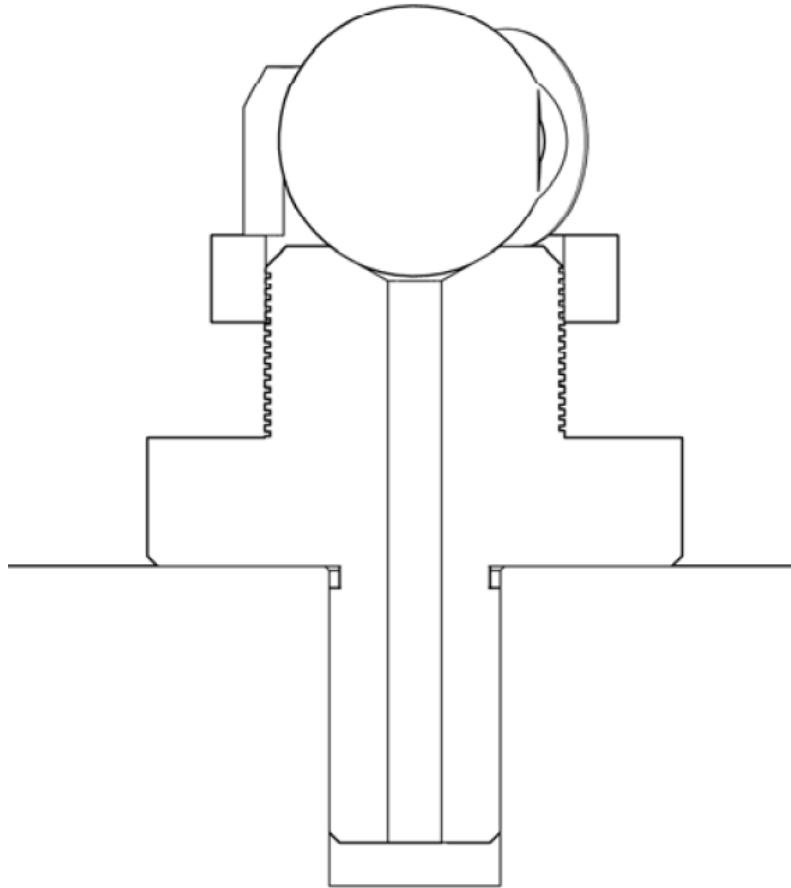
Laser Tracker



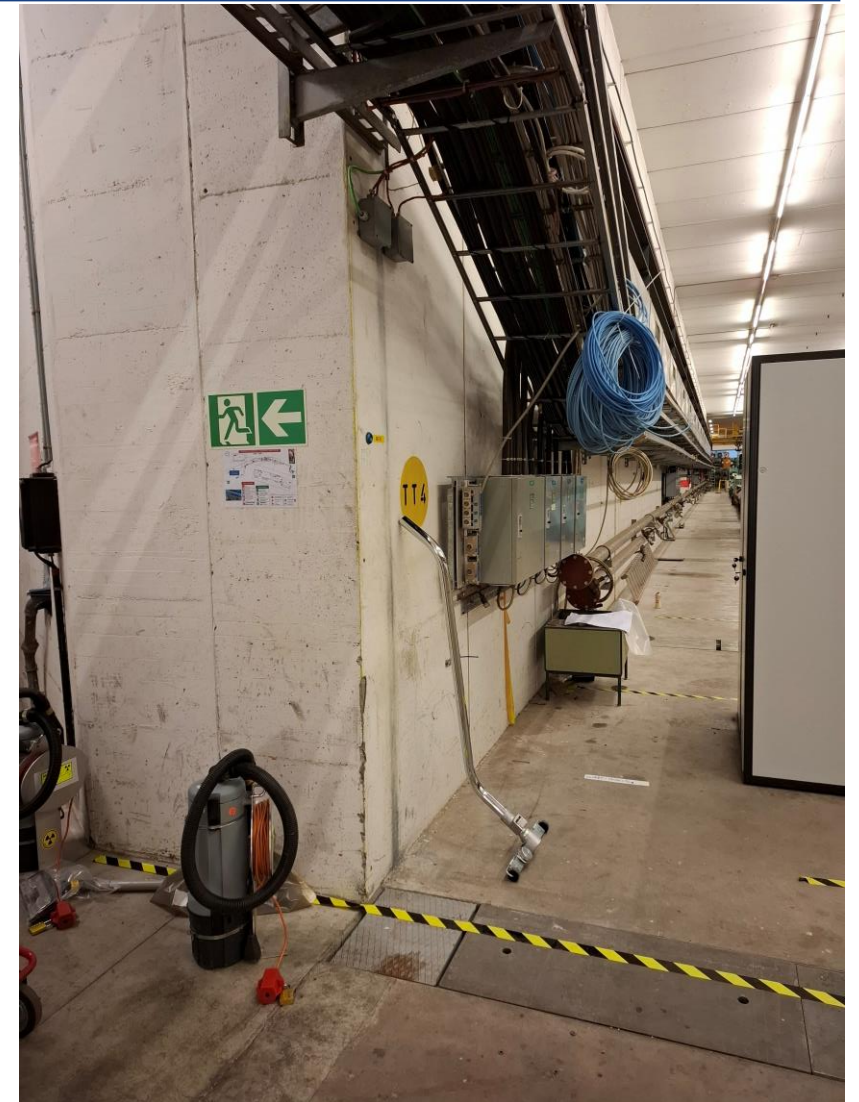
Survey Targets & Supports



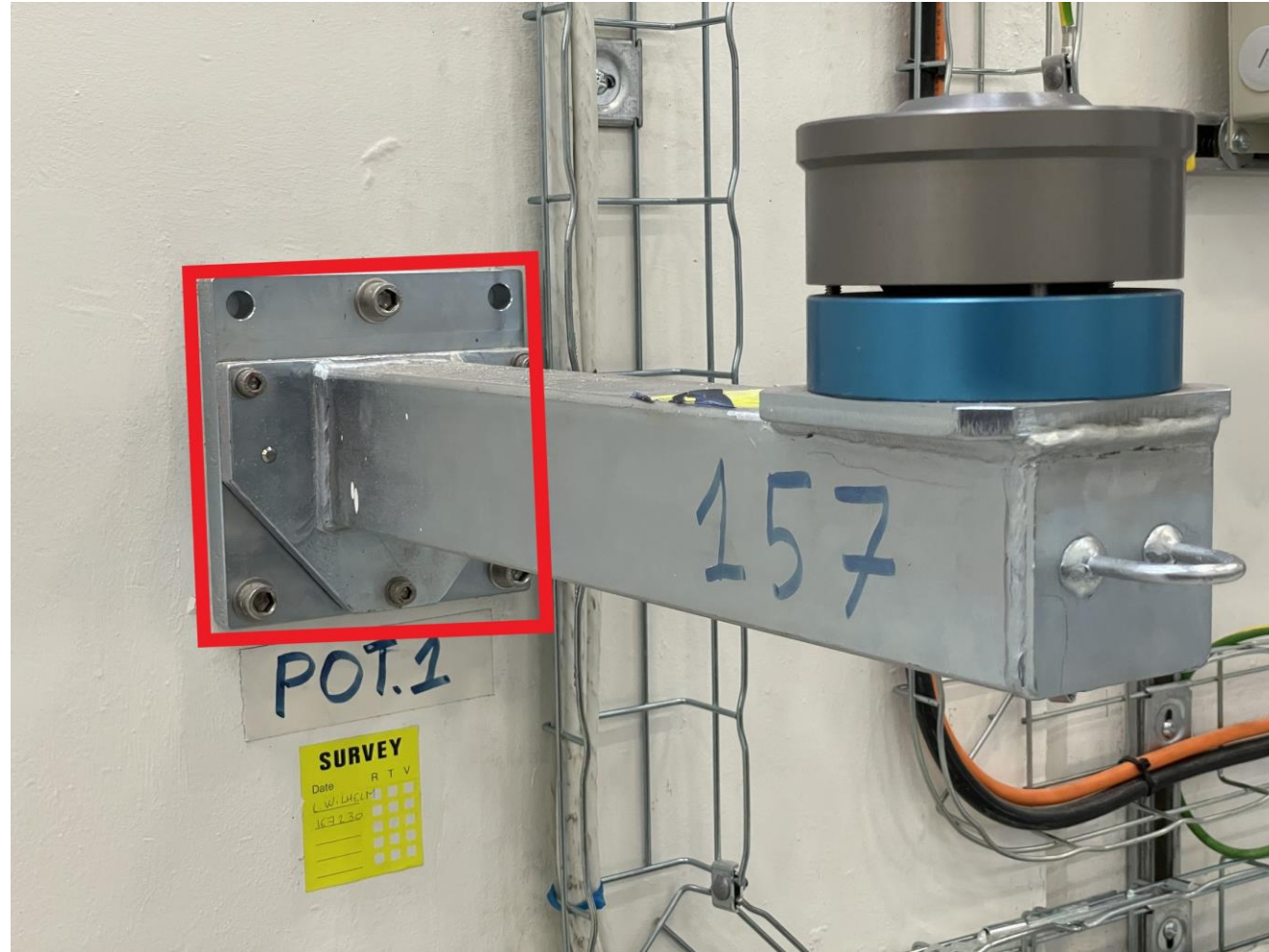
Survey Target Integration



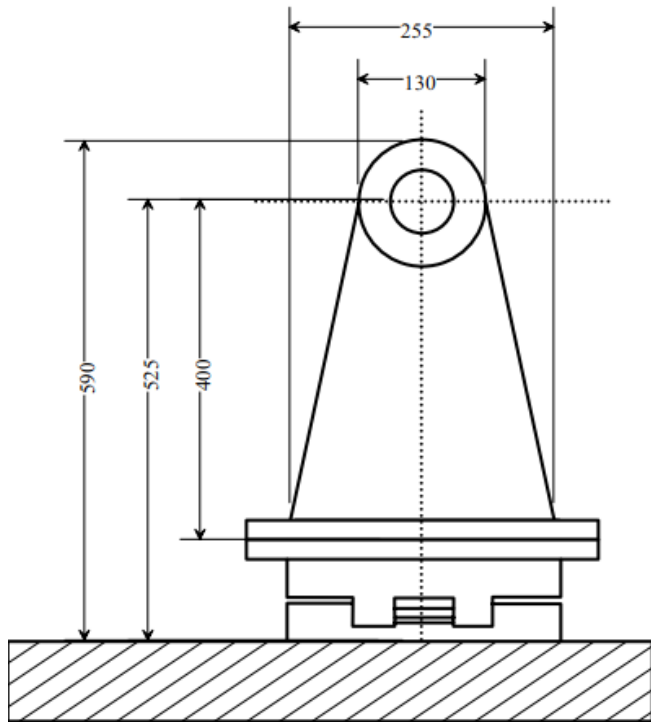
0.5 & 1.5 Inch Target Mounting



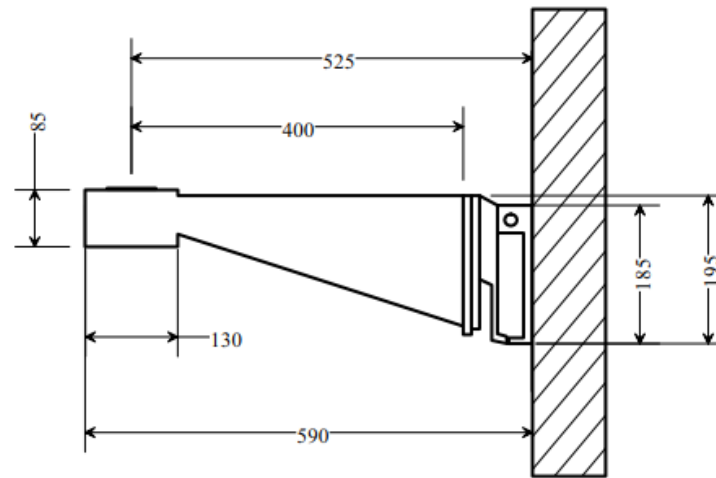
3.5 Inch Target/ Laser Tracker Bracket



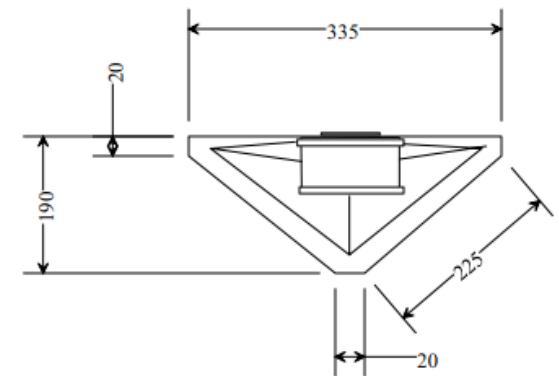
3.5 Inch Target/ Laser Tracker Bracket



Top View

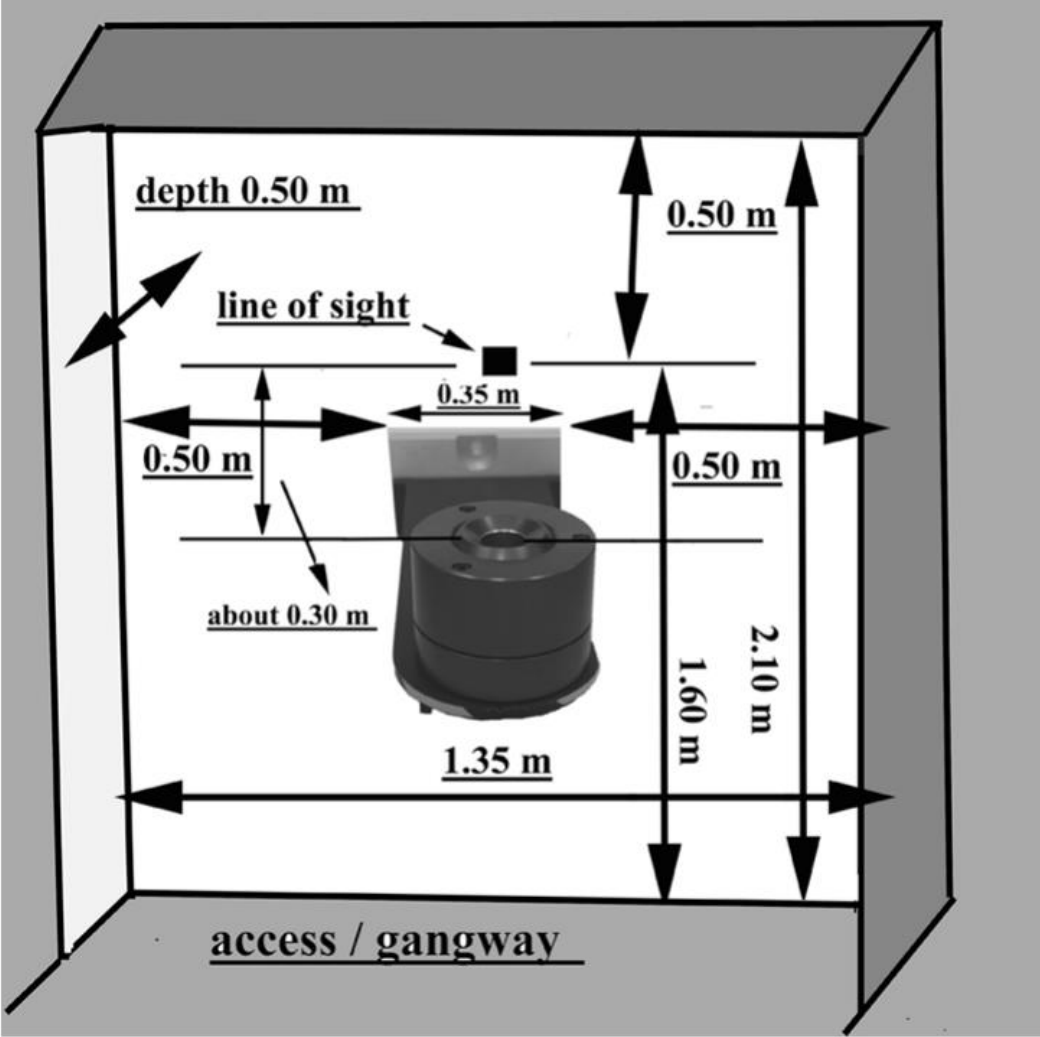


Side View



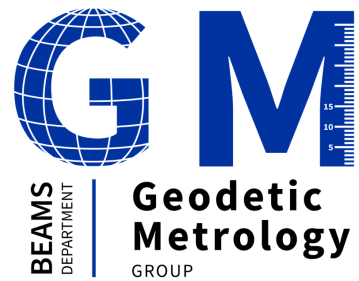
Front View

Bracket Envelope



Floor Mounted Nests





home.cern