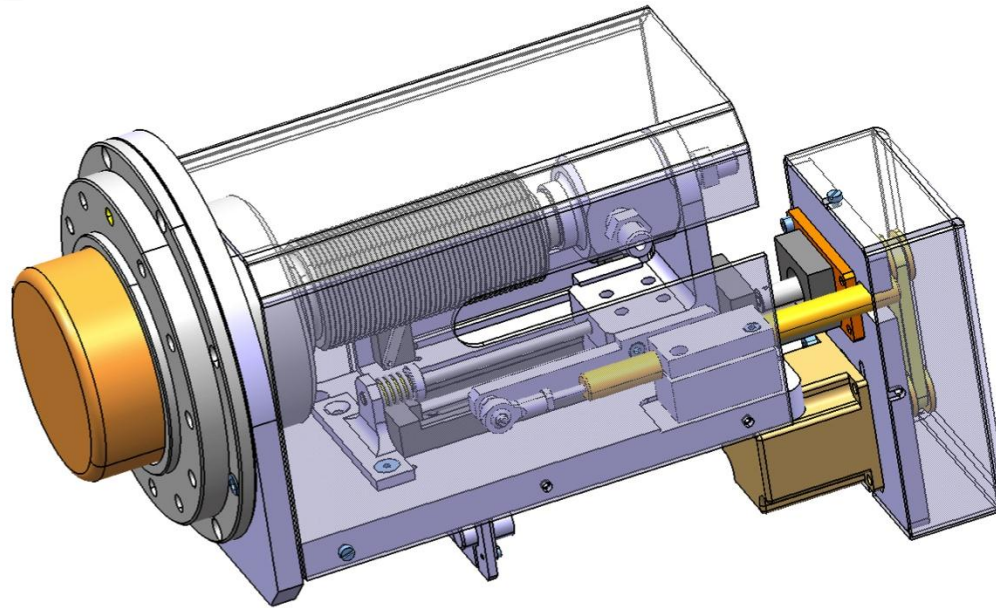




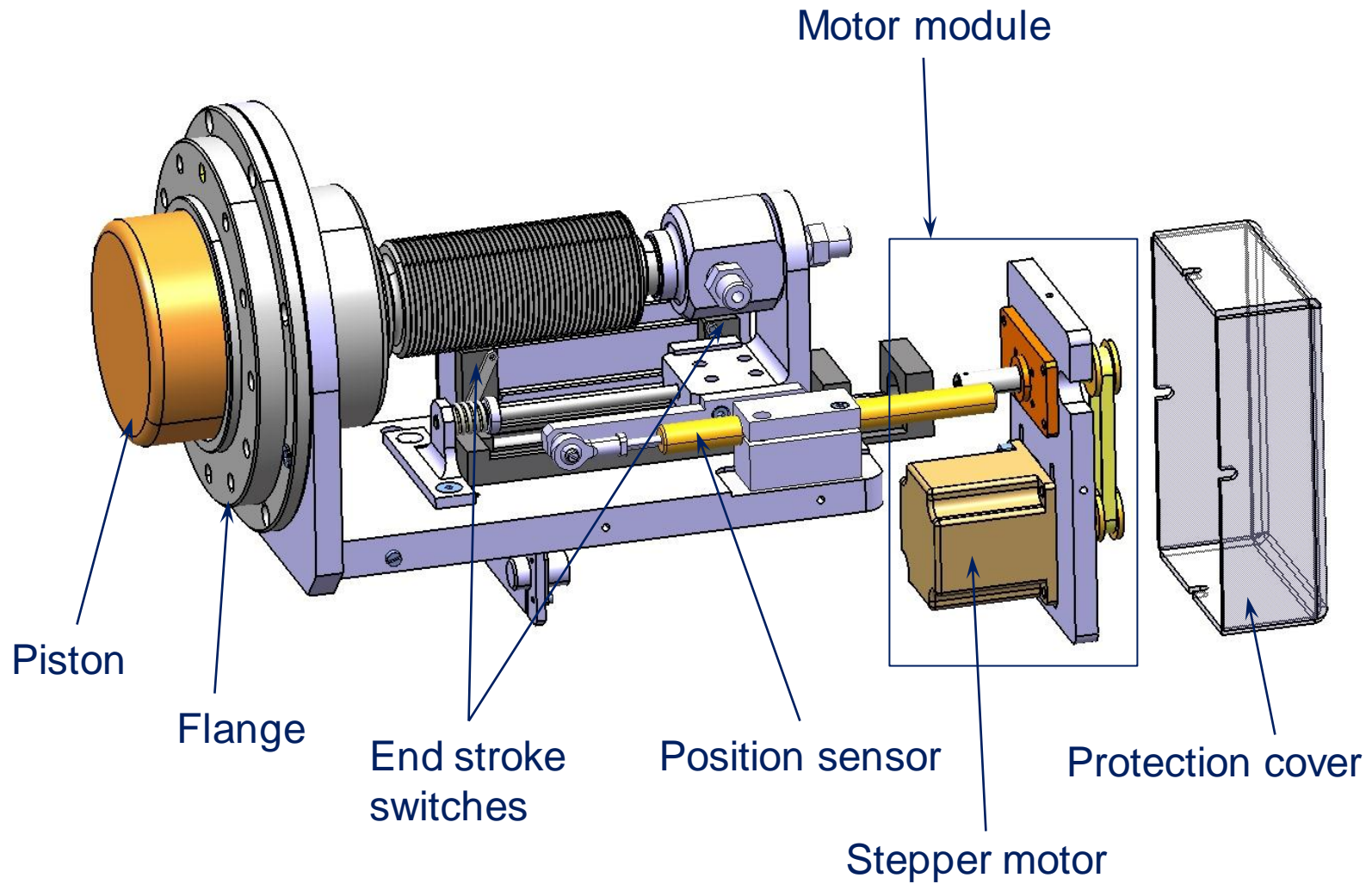
LINAC 4 - Mobile tuner

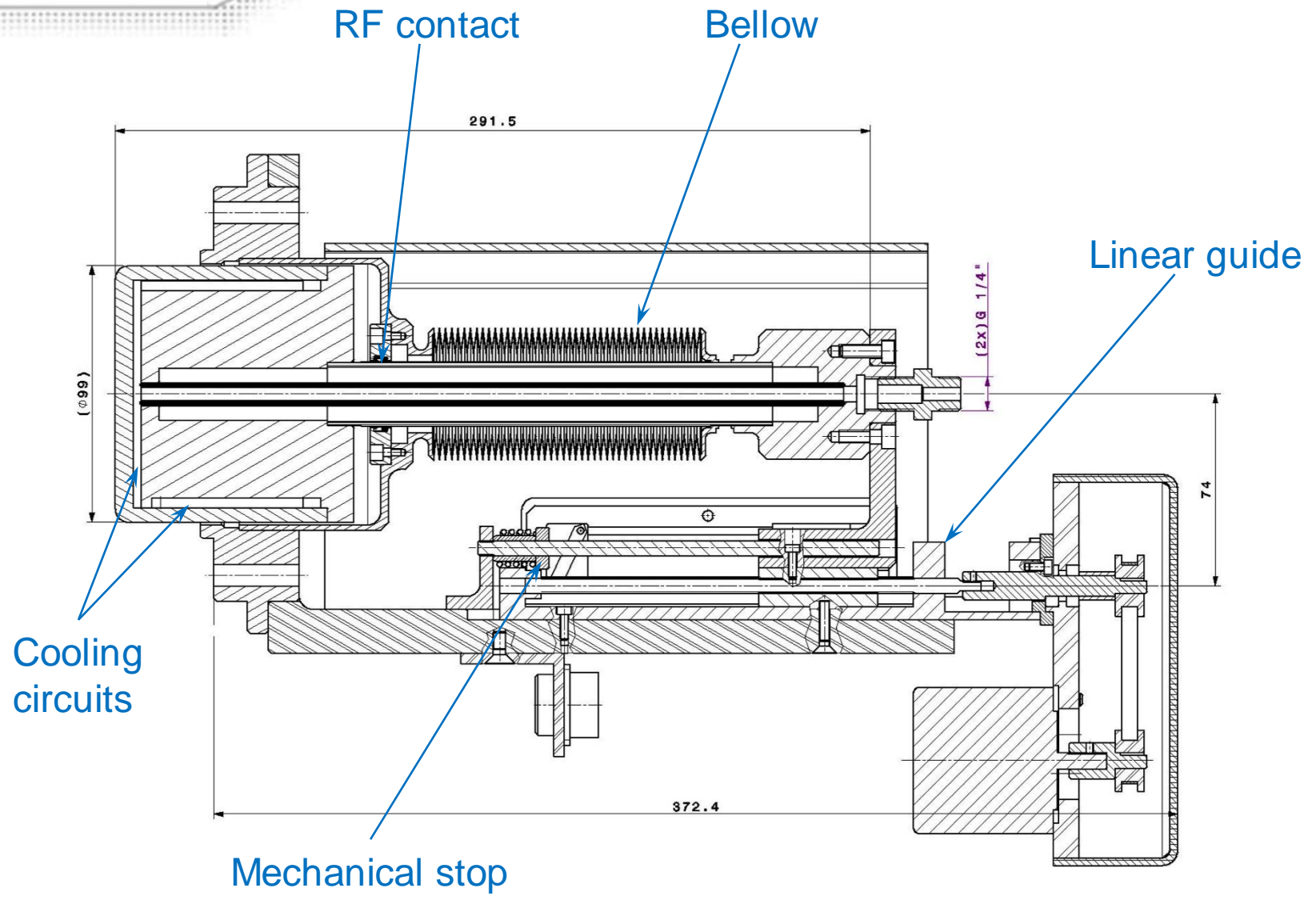
**Mini Workshop on DTL Design
13.09.2011**

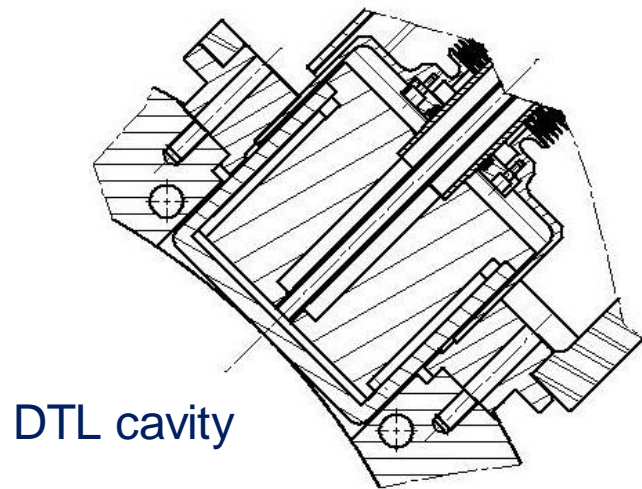
**Y. Cuvet, A. Dallochio, M. Vretenar, V. Bretin
J. Marques, J. Broere, L. Arnaudon, F. Gerigk, M. Devoldere**



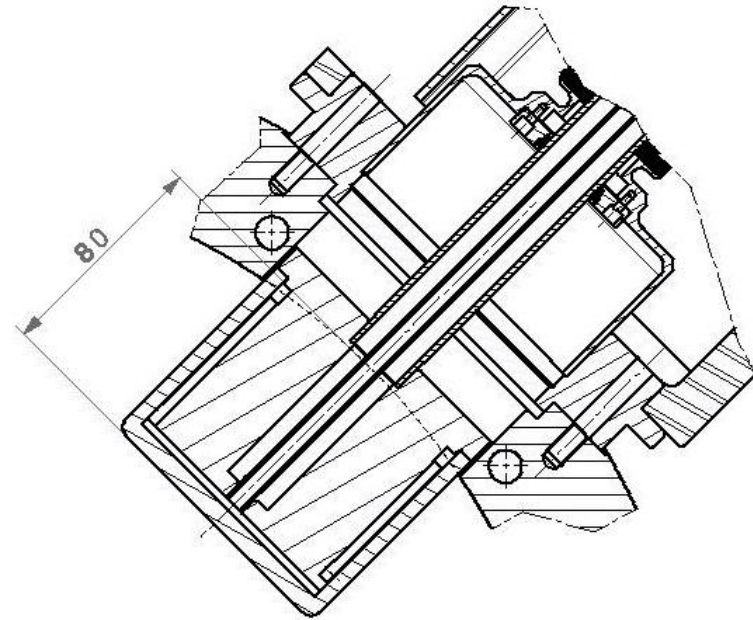
- **New design: modernization of the old version (30 years)**
- **Modular design: different piston \varnothing , different strokes, different motor reduction**
→ can be installed on different RF structures & machines
- **Easy maintenance**
- **Design baseline from existing movable tuner developed for the Linac4 chopper line (buncher).**







Retracted position



Extended position