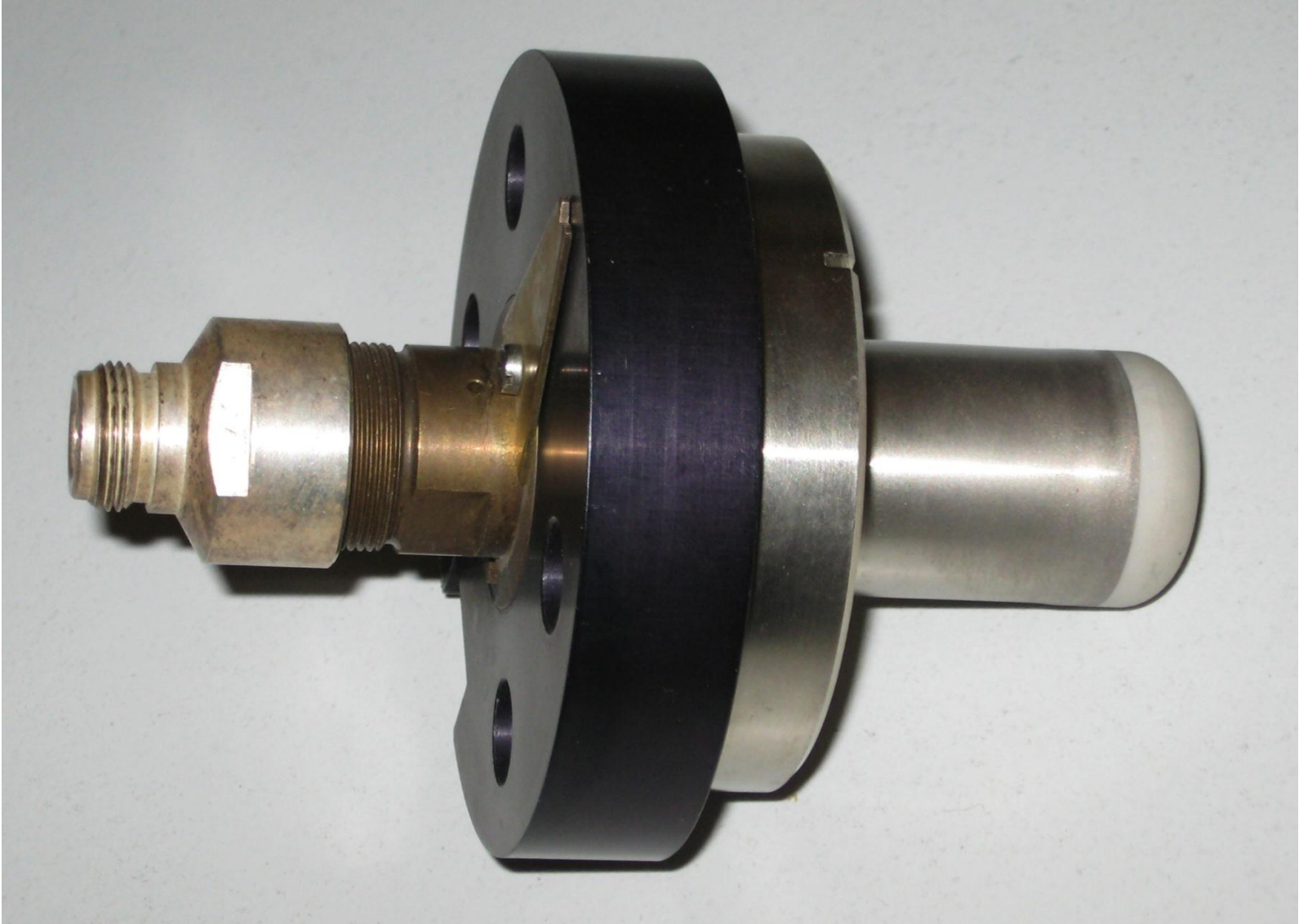
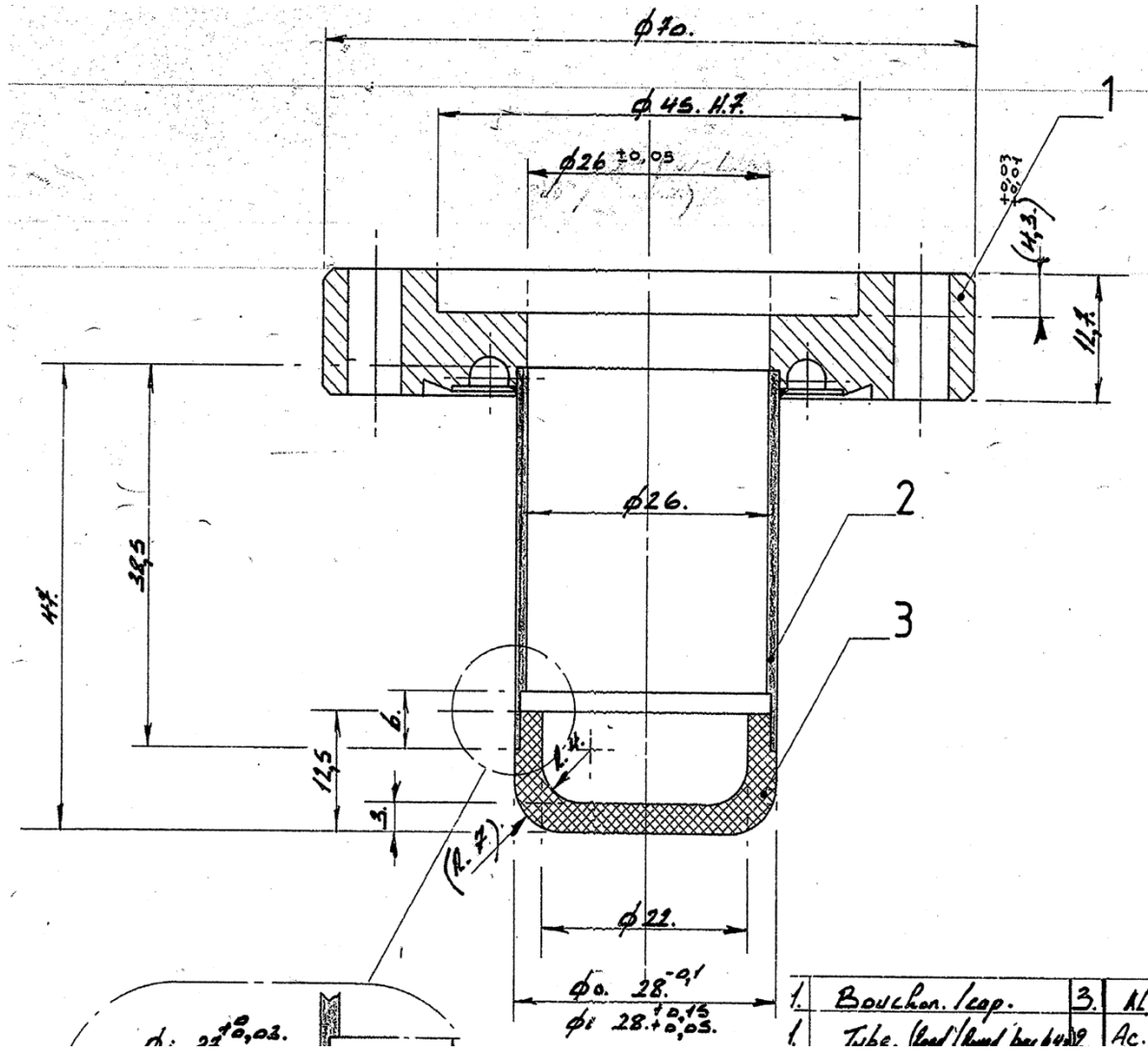


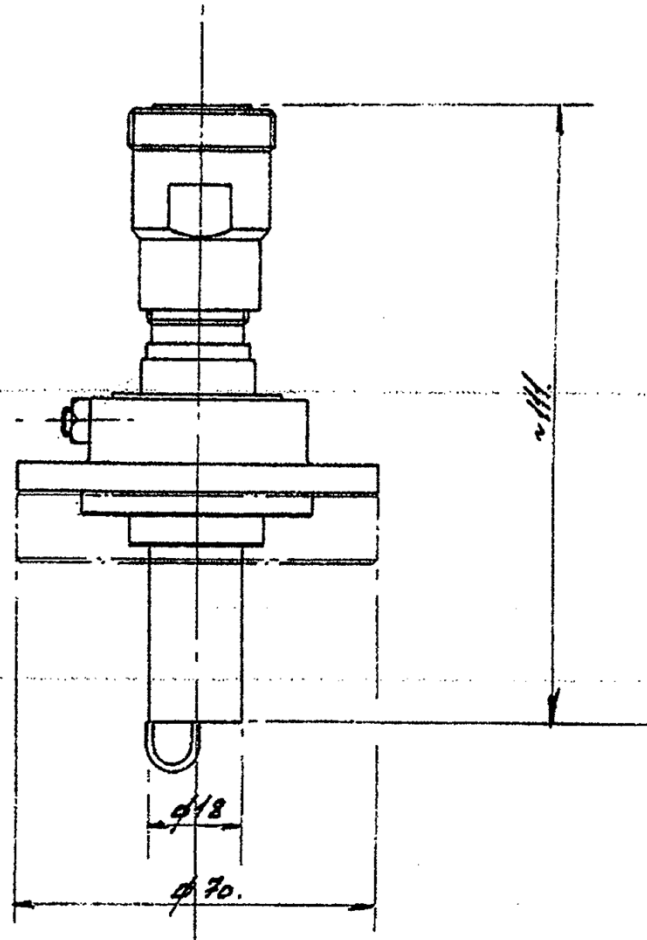
Linac4 Drift Tube Linac LEP Pick-Ups – 1982

Suitbert Ramberger, CERN, AB-RF-LR

Acknowledgement: Jean-Michel Giguet, the LEP team







VIEW ARROW 'D'
(Scale = Full size.)

