



Machining in BI

MBI Tech Forum – Thormund J. Oversveen-Vuttudal

2026-03-06

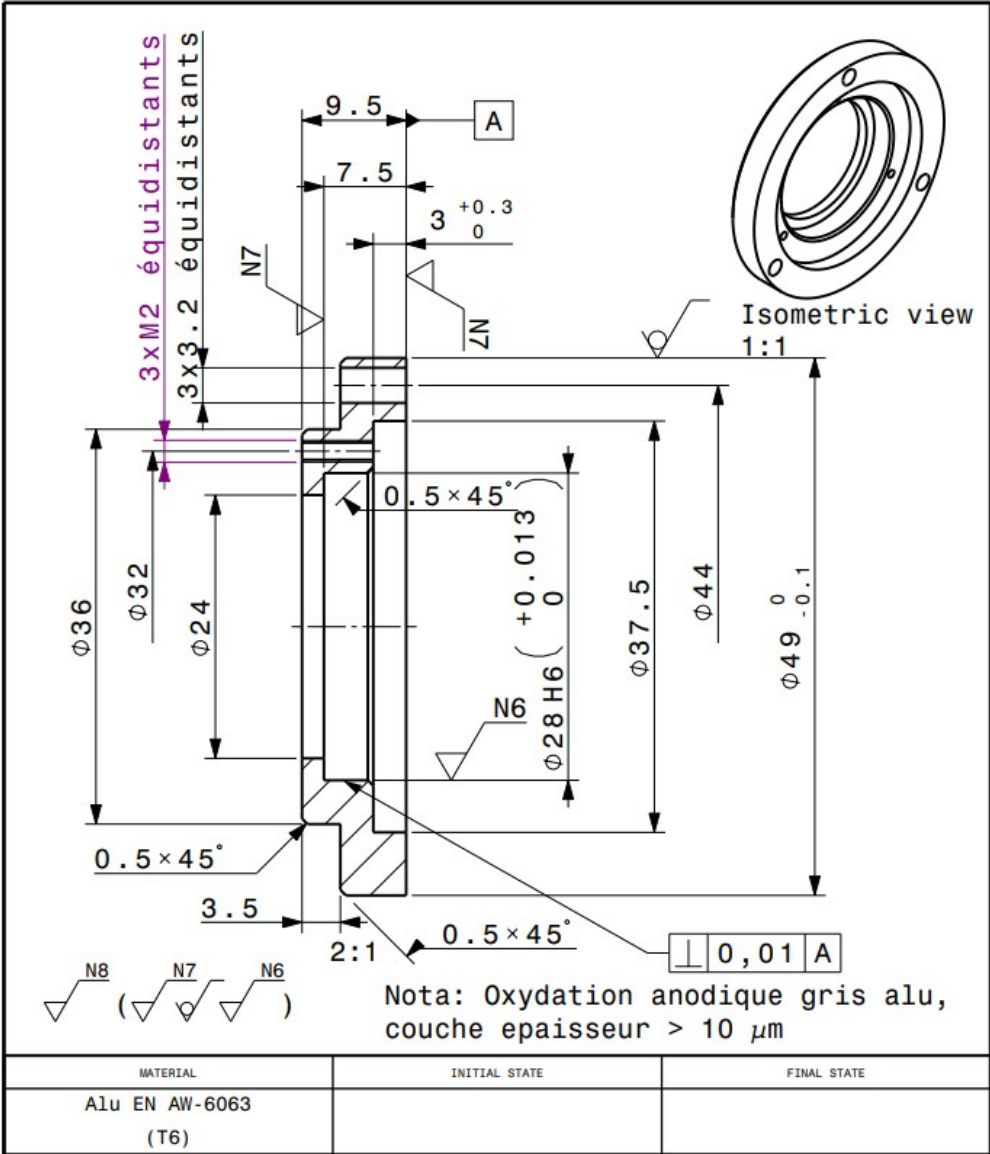
Reference (<https://indico.cern.ch/event/1658581/>)

From idea to reality

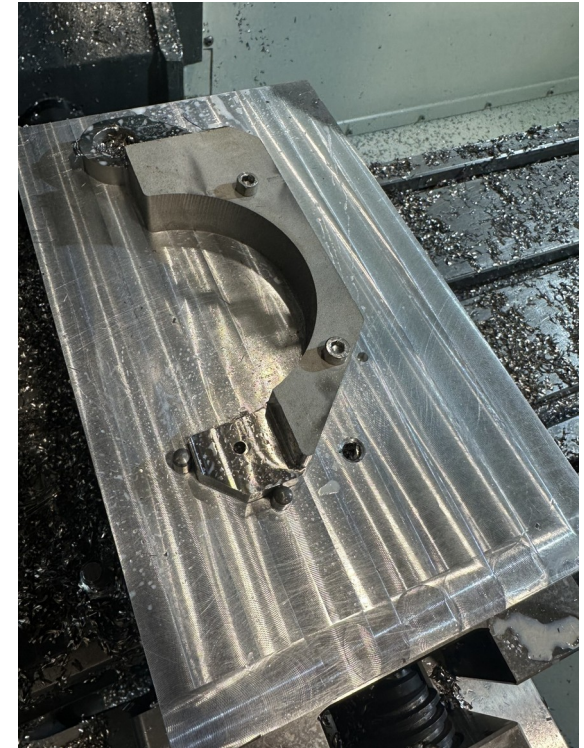
- Drawing to a final component
- How to produce: material, machining process, tolerances?

- Effectivity

-
-
-
-
-



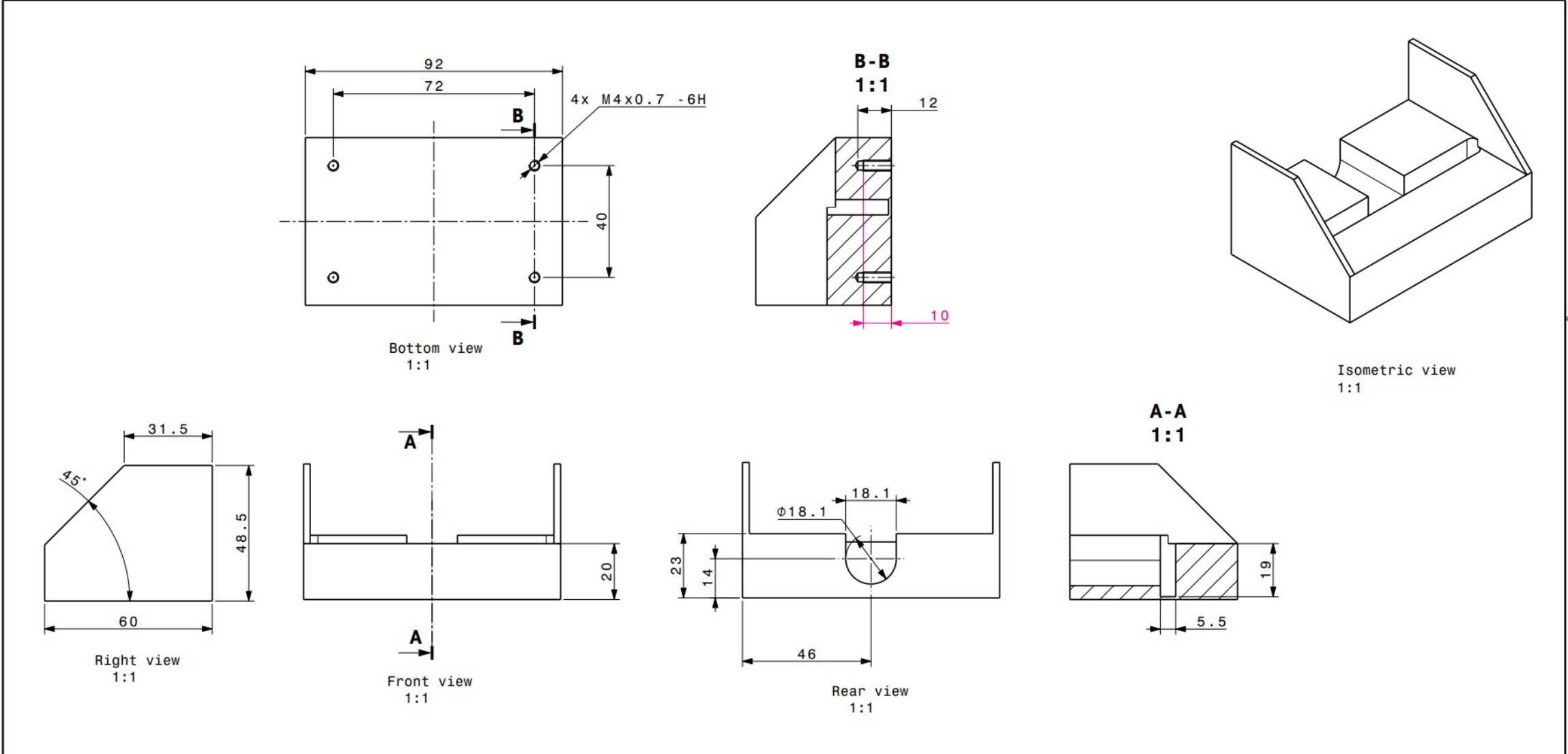
Ordering Material



Common mistakes/problems

- **Missing measurements or too many**
- **Modifying**
- **Tolerances**
- **Impossible shape**
- **DXF file, needs to be 1:1**
- **Communications**

Common mistakes/problems



Question?