

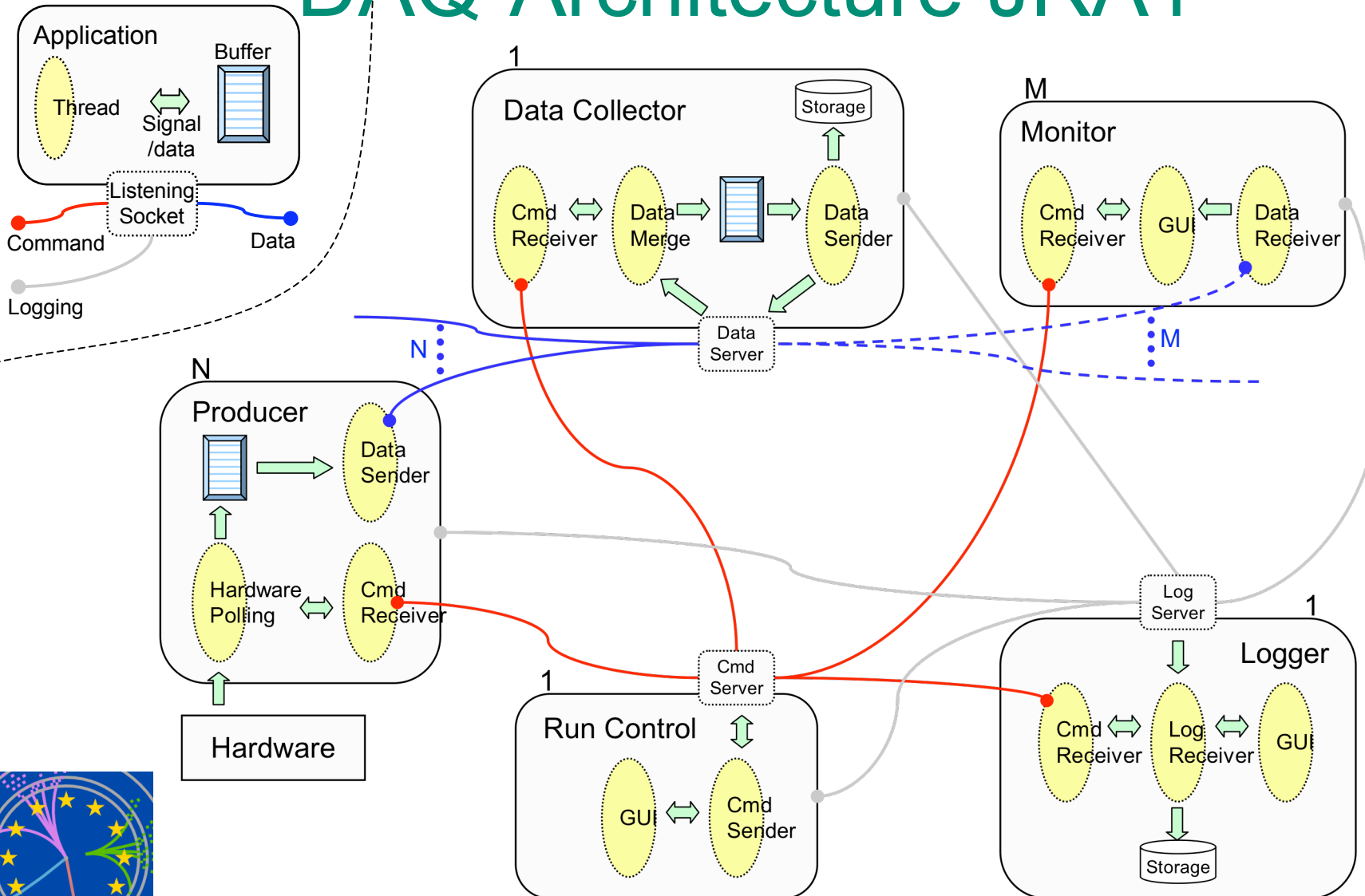
Data Acquisition for JRA1

Daniel Haas
DPNC Genève
JRA1 Meeting Hamburg



Key:

DAQ-Architecture JRA1



To Be Done

For June Beamtest

- Level Adaptors from Ferrara to connect MIMOTEL(s) (1st Priority - urgent!)
- Lots of Debugging/Improvements
- Performance/Stability evaluation (needs NZS on FPGA maybe?)
- Test Zero Suppression
- LCIO Data Format
- Install full system on DESY hardware



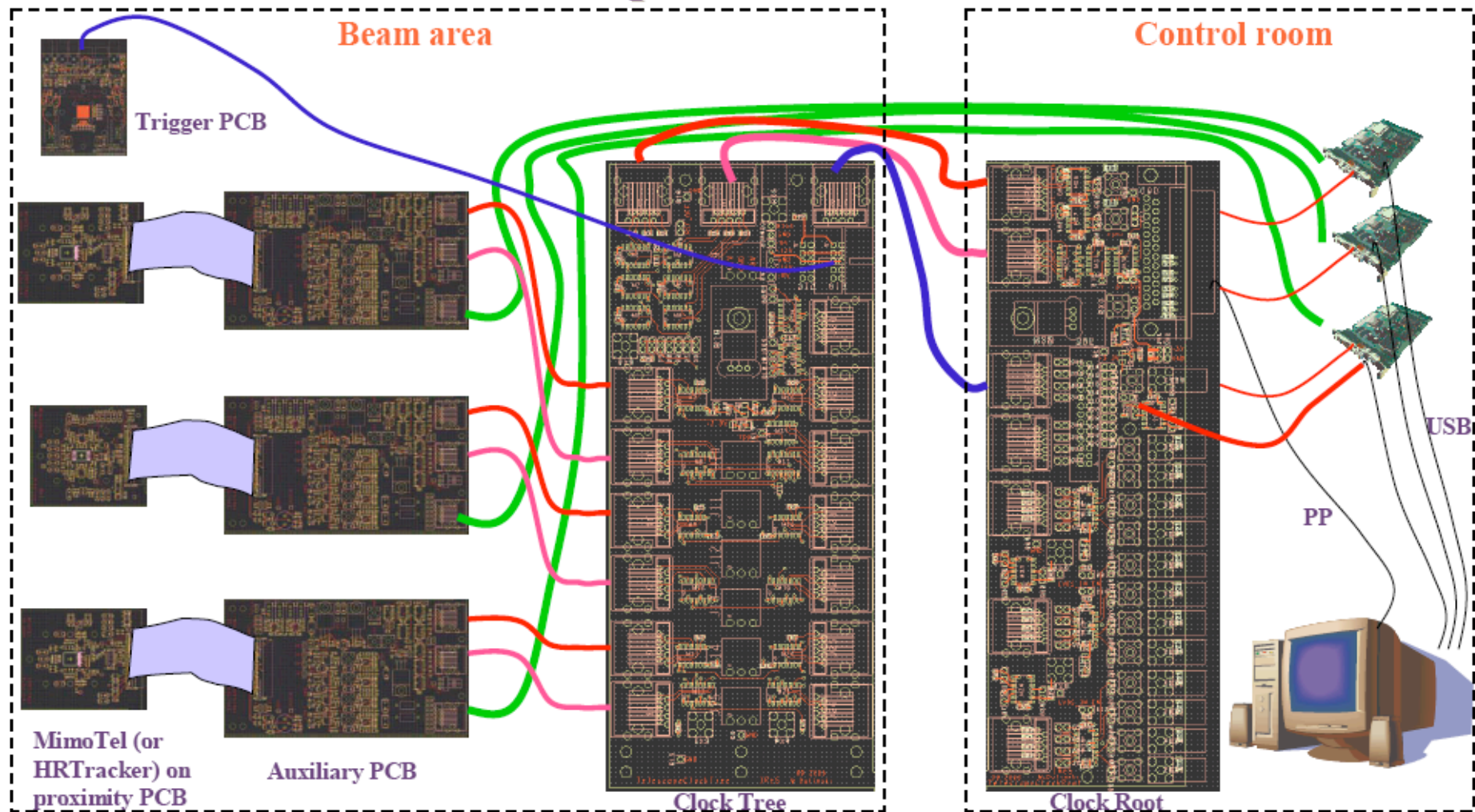
Next Steps

For August/September Beamtests

- Strasbourg Producer
(but: breaks system independent DAQ)
- GUI
- Introduction of a CondDB? Or: Logging Mechanism should allow transparent move to CondDB later (xml??)
- Documentation for DUTs!
- EUDET-Memo



Strasbourg Hardware



Bits & Pieces

- Grid-Certificate: should discuss with A. Gellrich here (EUDET-Entity or not?)
- Identify interested candidate to take care till August (DAQ or DESY?)
- Goals in June?
- Manpower: Who comes when??

