

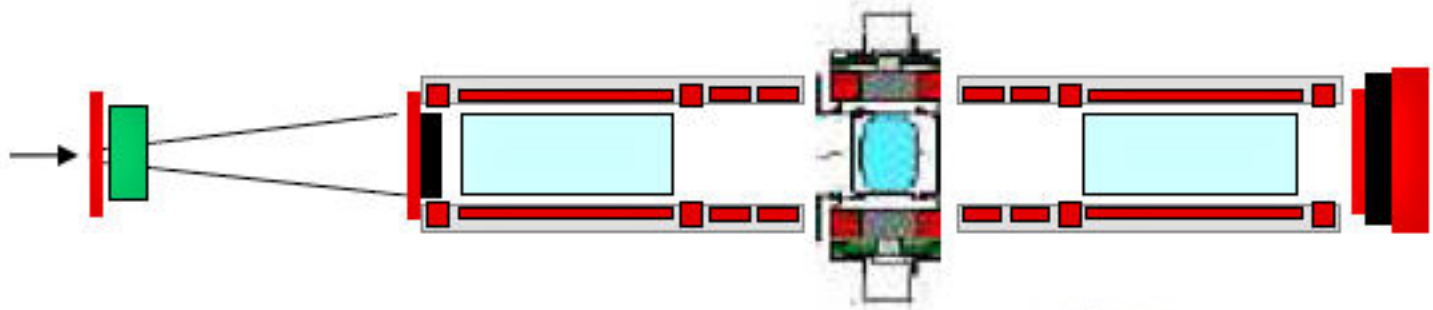


Wrap UP

Step IV "Almost There"



We Must *"Keep Our Eyes on the Prize"*



But

- All Magnets MUST WORK!
 - No Mistakes, No risk taking, We get no MORE Mulligans!

Then:

- Assembly and integration of all the subsystems in limited space this year is a challenge!
- Integration/Engineering activity needs better communication.
- Positioning of magnetic-field sensitive equipment is now highly critical.

What are the implications of this?



*We can sleep When
we are Dead**

**Apologies to Warren Zevon
who is, unfortunately, now sleeping*

Instrumentation, DAQ, Online, Offline, Analysis



- Target operations and Development
 - Projections indicate stable and long-term running in MICE
- Cerenkov, TOFs, KL, Trackers
 - Ready to Go (Mostly)
- EMR
 - On Track
- DAQ, Online, Monitoring and Analysis
 - All making Excellent progress



*Magnets, Magnets,
& more Magnets^{*}*

^{}Plus some explosive bits*

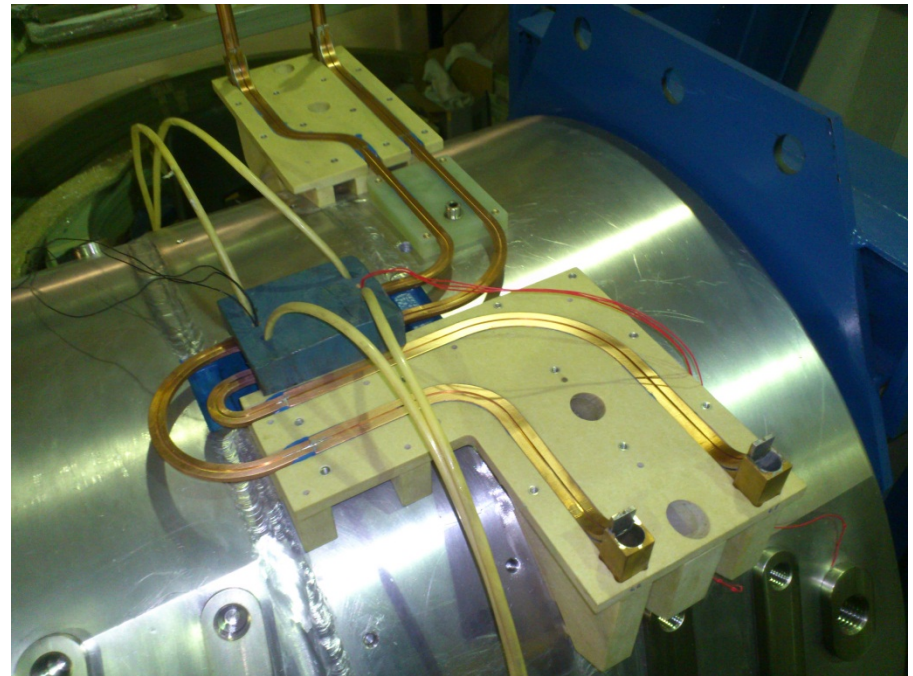
Spectrometer Solenoids



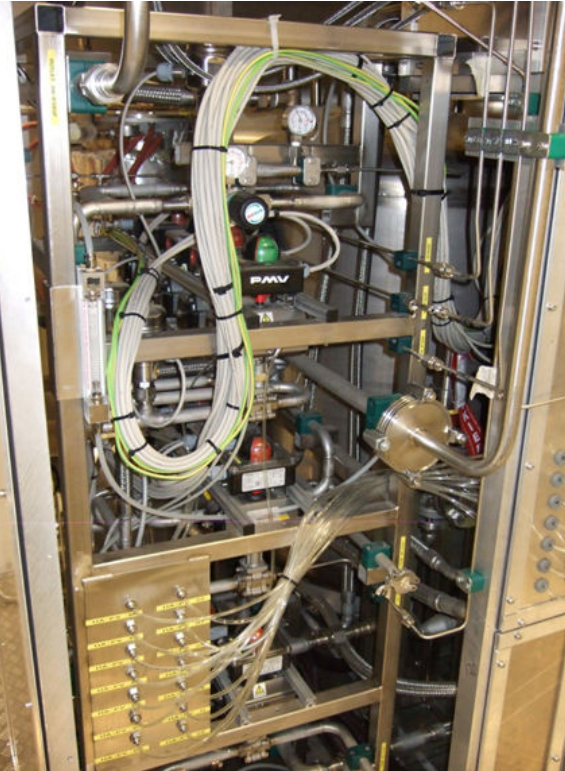
- First SS ready for leak check in 2 weeks
 - Arrives at RAL mid-June
- Second in close pursuit
 - Arrives at RAL late August



Module/Activity	Due Date
AFC1 at RAL	End March
Absorber integration and test	+3mths elapsed
AFC2 at RAL	June 2012 – date is holding
Absorber integration and test	<3mths



LH₂ System

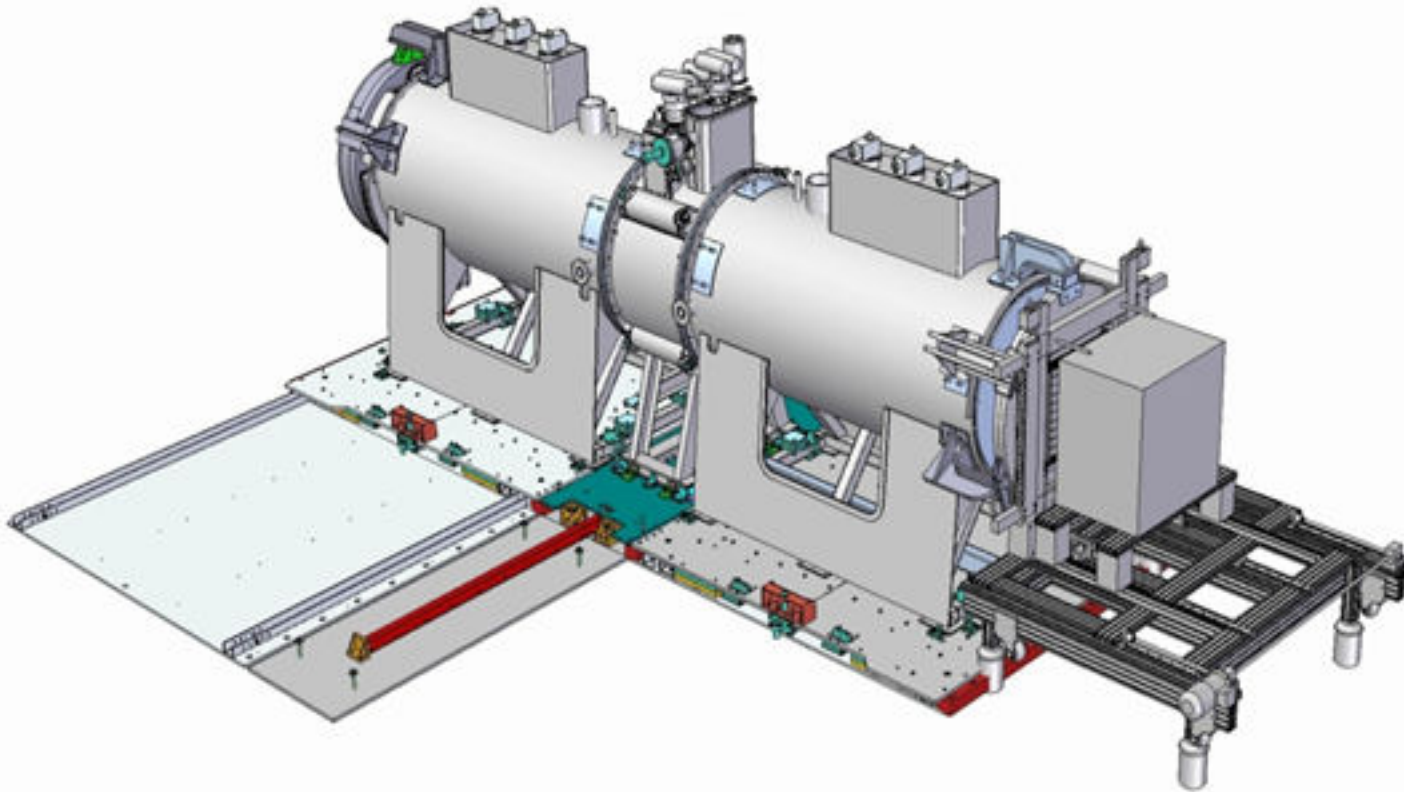


R&D complete and Test cryo decommissioned – June 12

And then a bit of
magic^{*}

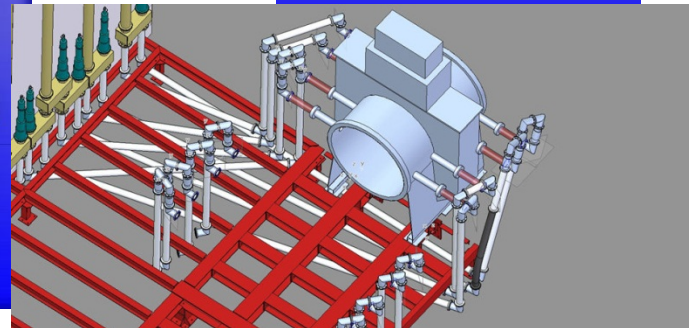
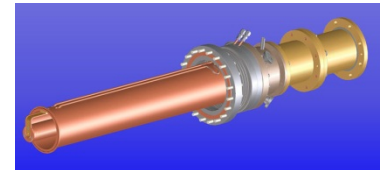
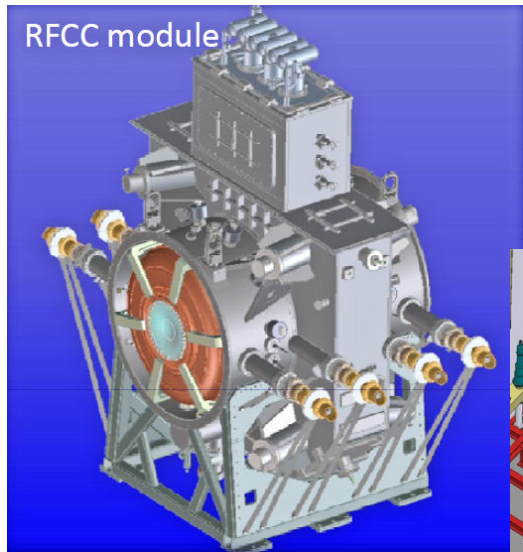
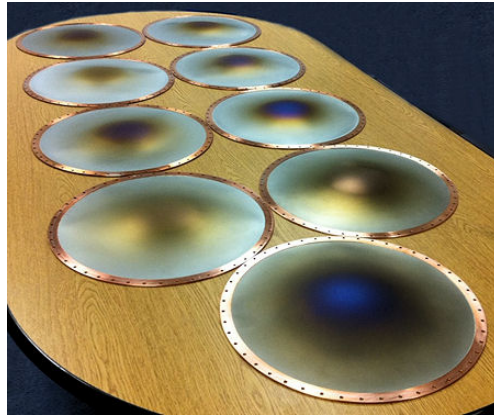
** I mean much hard work!*

Step IV

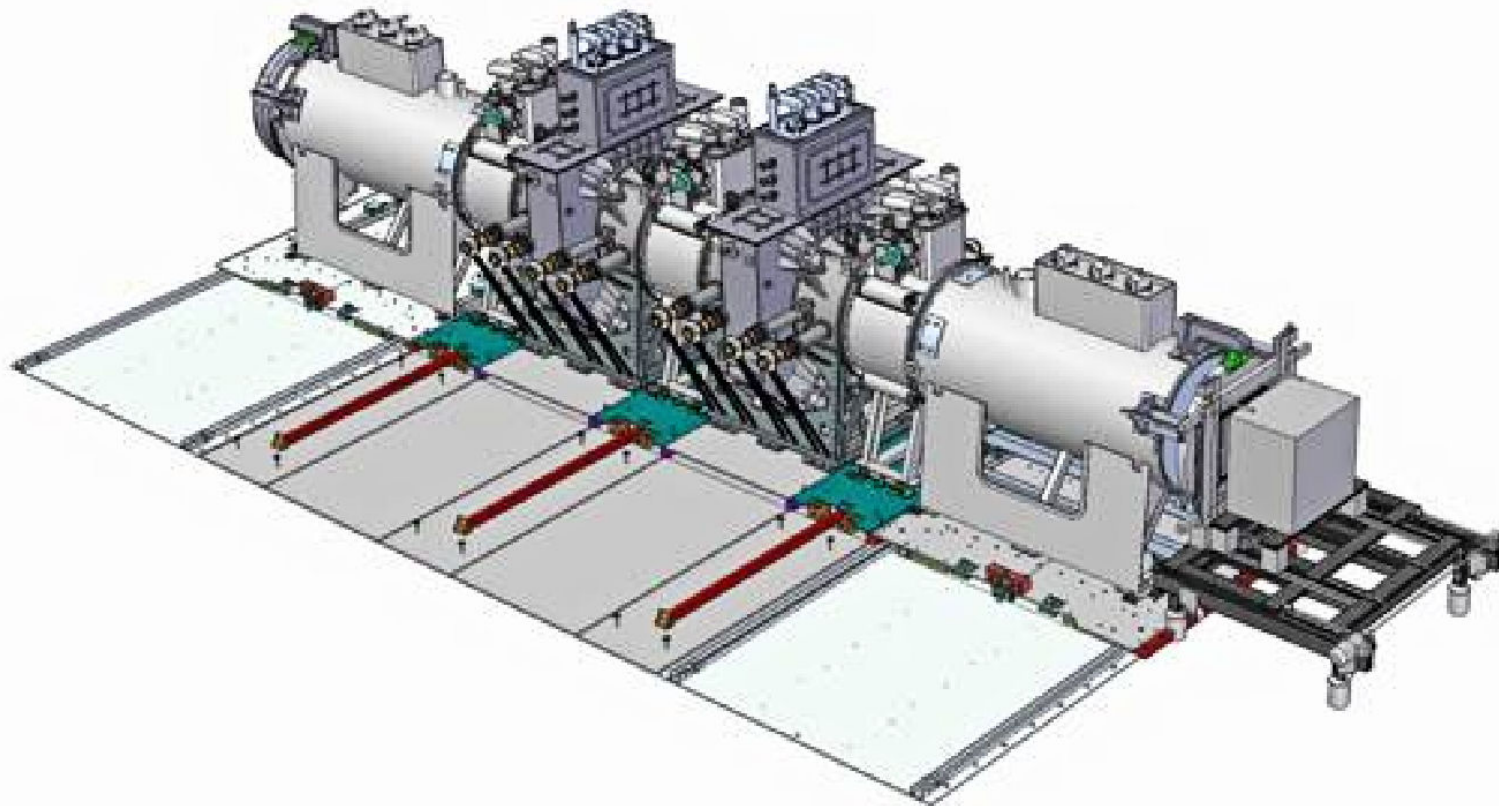


Goal: Make this graphic a Photo - Christmas '12

*And then, there will be no
sleep,
even when we are Dead (tired)*



Step VI



My Goal: Photo Christmas '15_±



- The next 9 months WILL be exciting!
 - And we all hope very rewarding
- 2013 WILL yield the first cooling measurements
- And prepare the way for MICE – *the Final Frontier*

* *Chinese curse?* - 寧為太平犬，不做亂世人

níng wéi tàipíng quǎn, bù zuò luànshì rén

Next time: Haggis, deep-fried Snickers and Single-Malt



Apologies to Yordan