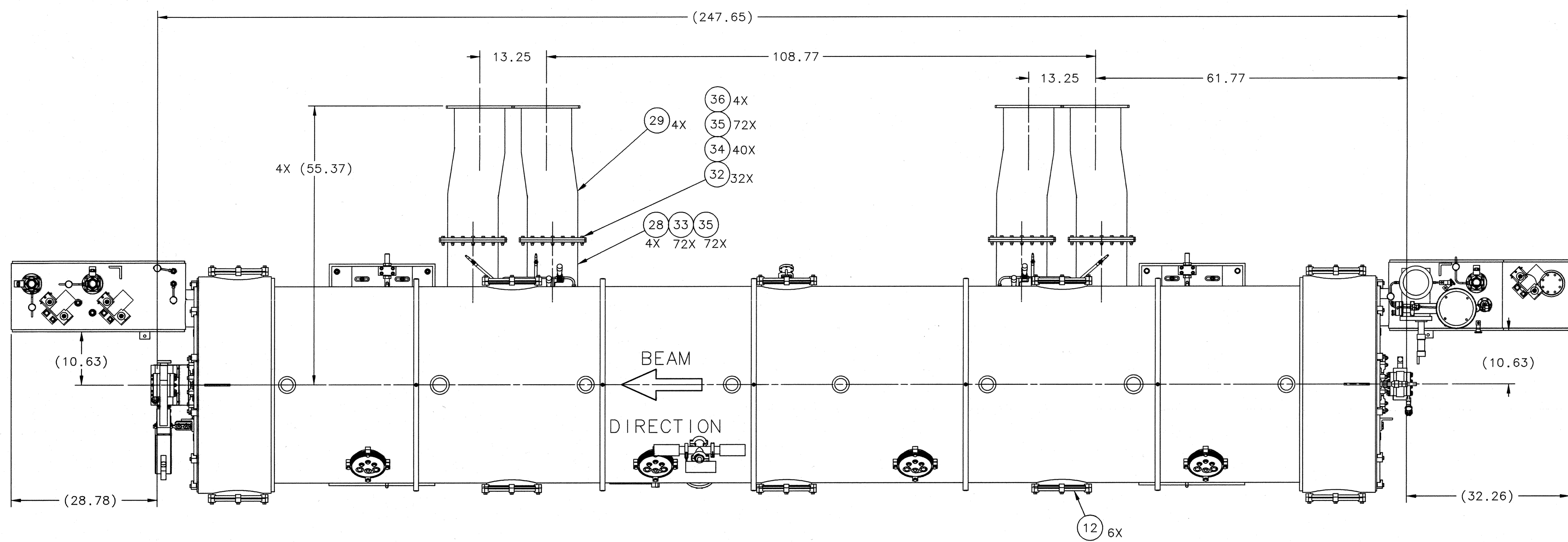
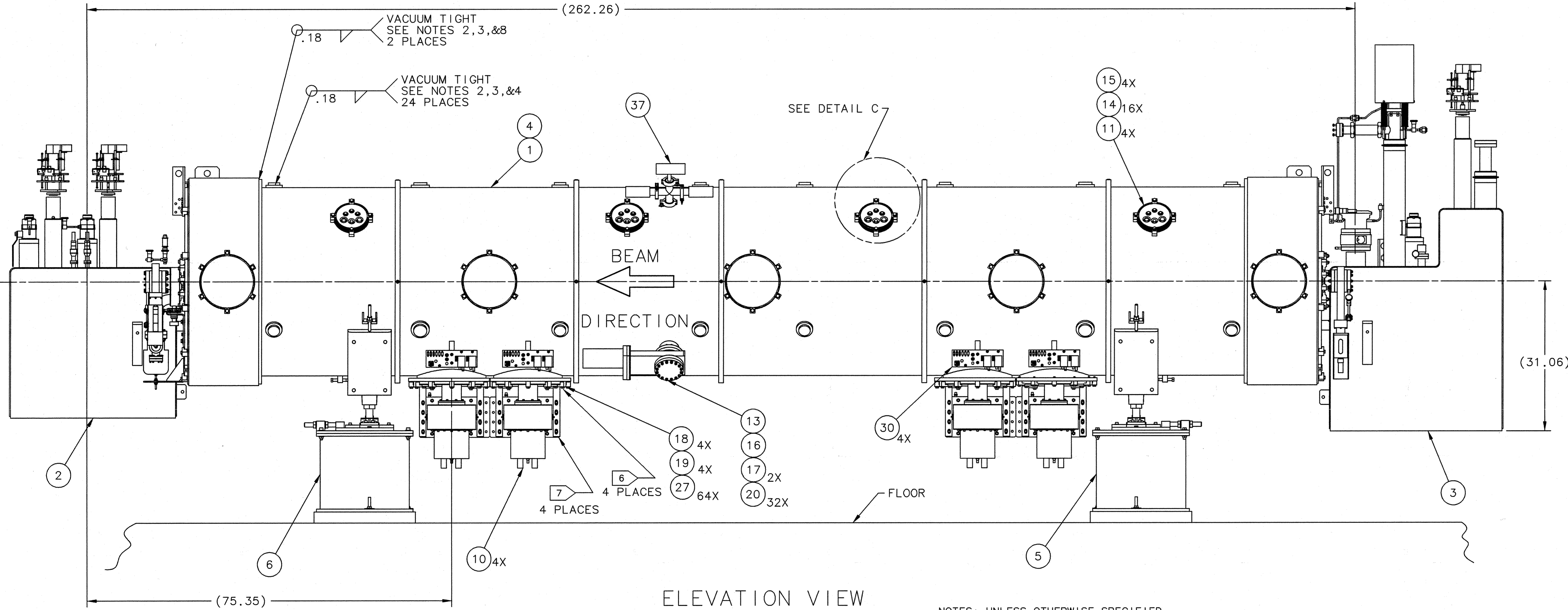


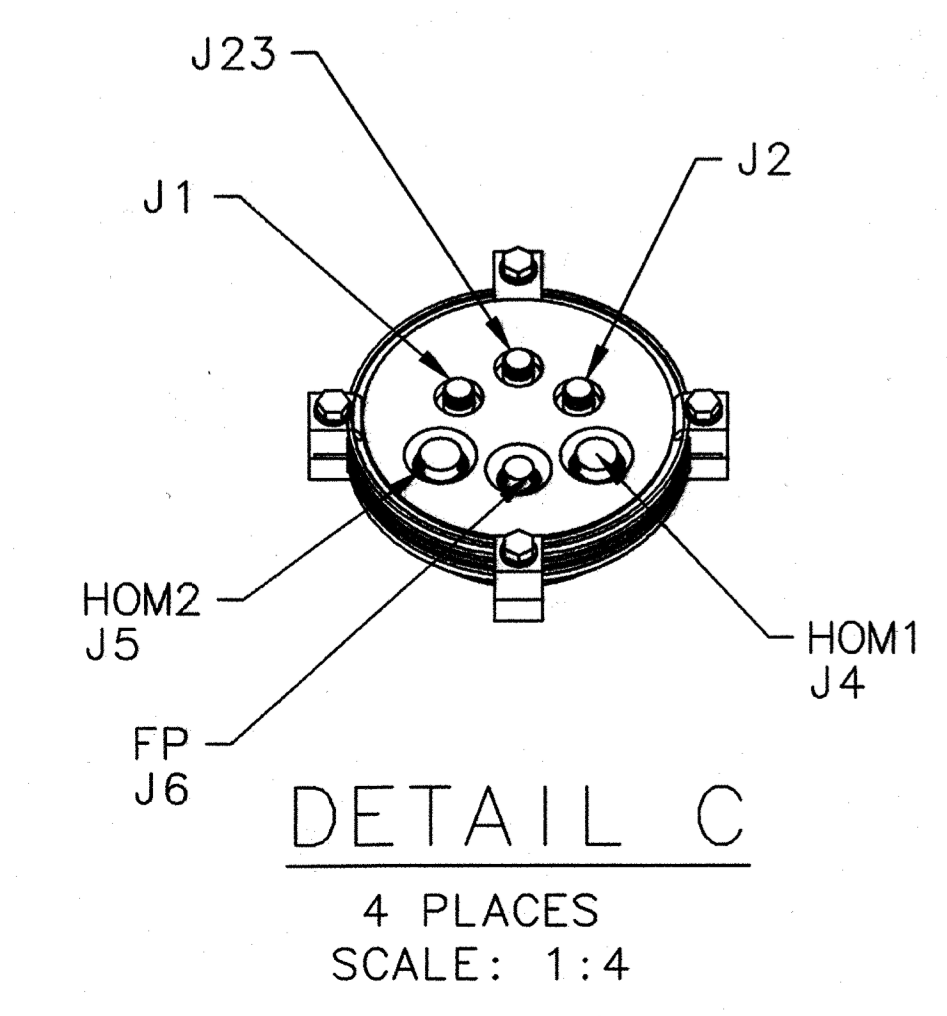
REVISION HISTORY				
ZONE	REV	DESCRIPTION	DATE	APPROVED



TOP VIEW



ELEVATION VIEW



- NOTES: UNLESS OTHERWISE SPECIFIED
- SEE TRAVELER SNS-CMH-CRY-VVEC.
 - WELD PER TJNAF SPECIFICATION 11141-S-0030 AND ANSI B31.3 WHERE APPLICABLE.
 - LEAK CHECK PER TJNAF SPECIFICATION 11141-S-0029.
 - WELD LOCKDOWN STUDS SHIPPED LOOSE WITH ITEM 4.
 - WELD He LINE WELD DISK SHIPPED LOOSE WITH ITEM 4.
 - INSTALL TOP HAT WITH CLAW CLAMP ASSEMBLIES SHIPPED LOOSE WITH ITEM 10.
 - INSTALL OUTER CONDUCTOR BODY, DOORNOB ASSEMBLY, WAVEGUIDE AND WAVEGUIDE COVER. SEE CRM90060000-0049 FOR INFORMATION NOT SHOWN.
 - UPON COMPLETION OF INTERNAL PIPE WELDING, INSTALL REMAINING 50K SHIELDING (INCLUDING REDUCERS), MAGNETIC SHIELDING AND INSULATION.
 - WELD COUPLER OUTLET TUBE.
 - FOR WIRING DIAGRAM, SEE CRM-900-4000-0005.
 - FOR INTERFACE DRAWING, SEE CRM-900-0000-0200.

ITEM NO.	QTY	PART OR IDENTIFYING NO.	DESCRIPTION	MATERIAL SPECIFICATION	NOTES
1	37	CRM-900-0000-0016	COLD CATHODE SUBASSEMBLY		
4	36	CRM-900-6000-0077	GAS FILTER MEGA IND OC9Y7-11769-701		
144	35		HEX NUT .375-16 UNC	SILICON BRONZE	
40	34		HEX HEAD BOLT .375-16 UNC X 2.25 LG	STAINLESS STEEL	
72	33		HEX HEAD BOLT .375-16 UNC X 1.50 LG	STAINLESS STEEL	
32	32		HEX HEAD BOLT .375-16 UNC X 2.75 LG	STAINLESS STEEL	
1	31	CRM-900-5040-1025	VALVE BRACKET ASSEMBLY		
4	30	CRM-900-1000-0000	INTERFACE PANEL ASSEMBLY		
4	29	CRM-900-6000-0080	WR975 WAVEGUIDE FLEXIBLE OFFSET		
4	28	CRM-900-6000-0078	WR975 WAVEGUIDE 18 LG STRAIGHT		
64	27		SOCKET HD CAP SCREW .25-20 UNC X 1.00 LG	STAINLESS STEEL	
2	26	PARKER 2-368	O-RING 7.725 I.D. X .210 CS	EPDM	
1	25	CRM-900-0000-0511	1/4 TUBE COUPLER INPUT-3		
1	24	CRM-900-0000-0510	1/4 TUBE COUPLER INPUT-2		
1	23	CRM-900-0000-0509	1/4 TUBE COUPLER INPUT-1		
1	22	CRM-900-0000-0512	1/4 TUBE COUPLER INPUT		
1	21	CRM-900-0000-0513	0.81 COUPLER RETURN PIPING		
32	20	MDC 190003	HEX HEAD BOLT .312-24 UNC X 1.25 LG		
4	19		O-RING 14.41 I.D. X .275 CS	EPDM	
4	18		O-RING 12.80 I.D. X .210 CS	EPDM	
2	17	MDC #191013	GASKET - 6.0 INCH	OFC	
1	16	MDC #110025	6.00 CFNR BLANK		
4	15	MDC #810002	CENTERING RING ASSY (L600-CR)		
16	14	MDC #802002	CLAMP DOUBLE CLAW (NW250 DC)		
1	13	MDC #300004	4.00 IN MANUAL GATE VALVE		
6	12	CRM-900-8020-1127	FLANGE BLANK ASSEMBLY		
4	11	CRM-900-3000-0026	FEEDTHROUGH FLANGE ASSEMBLY		
4	10	CRM-900-6000-0049	FPC AIR SIDE ASSEMBLY		
1	9	CRM-900-5040-0022	ION PUMP BRACKET ASSY		
1	8	CRM-900-5040-0001	SUPPLY END-COLD TO WARM TRANSITION ASSY		
1	7	CRM-900-5040-0000	RETURN END-COLD TO WARM TRANSITION ASSY		
1	6	CRM-900-2000-0001	DOWN STREAM CRYO. STAND		
1	5	CRM-900-2000-0000	UP STREAM CRYO. STAND		
1	4	CRM-900-3000-0001	0.81 BETA VACUUM VESSEL ASSY		
1	3	CRM-900-8020-0000	RETURN END CAN ASSY		
1	2	CRM-900-8010-0000	SUPPLY END CAN ASSY		
1	1	CRM-900-0000-0003	0.81 BETA SPACE FRAME & SHIELDS		

DOCUMENT CONTROL STAMP

100% INSPECTION

TRACKING NO. 104110300-481-8200-0008-800

APPROVALS: R. GETZ, DATE: 14/04/04

THIRD ANGLE PROJECTION

FINISH MACHINED SURFACES UNLESS OTHERWISE SPECIFIED TOLERANCES ARE IN INCHES DECIMAL ANGLES UNLESS OTHERWISE SPECIFIED

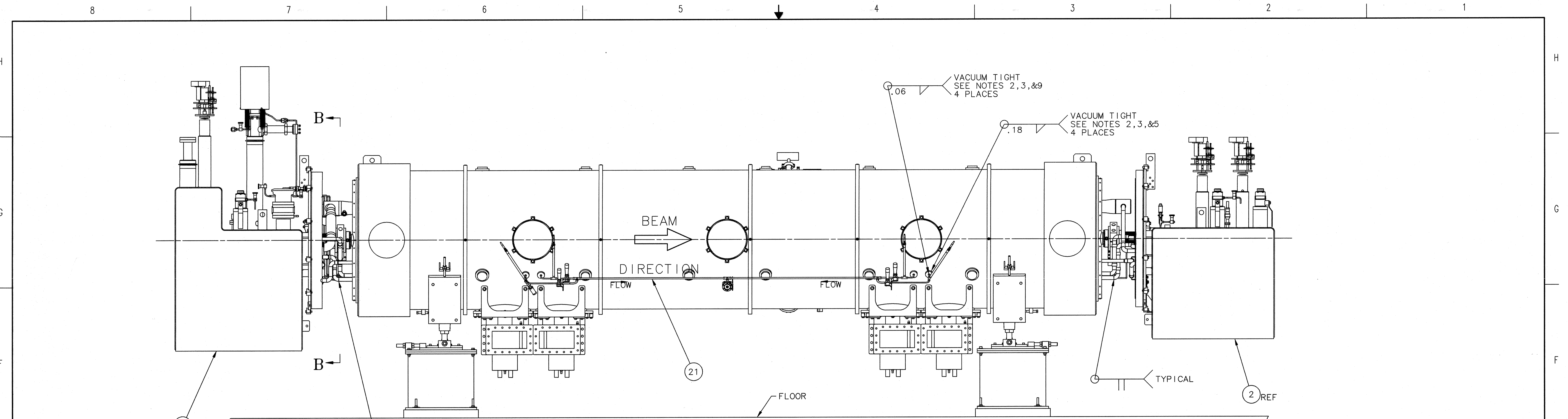
DO NOT SCALE DRAWING

SPALLATION NEUTRON SOURCE 0.81 BETA CRYOMODULE FINAL ASSEMBLY

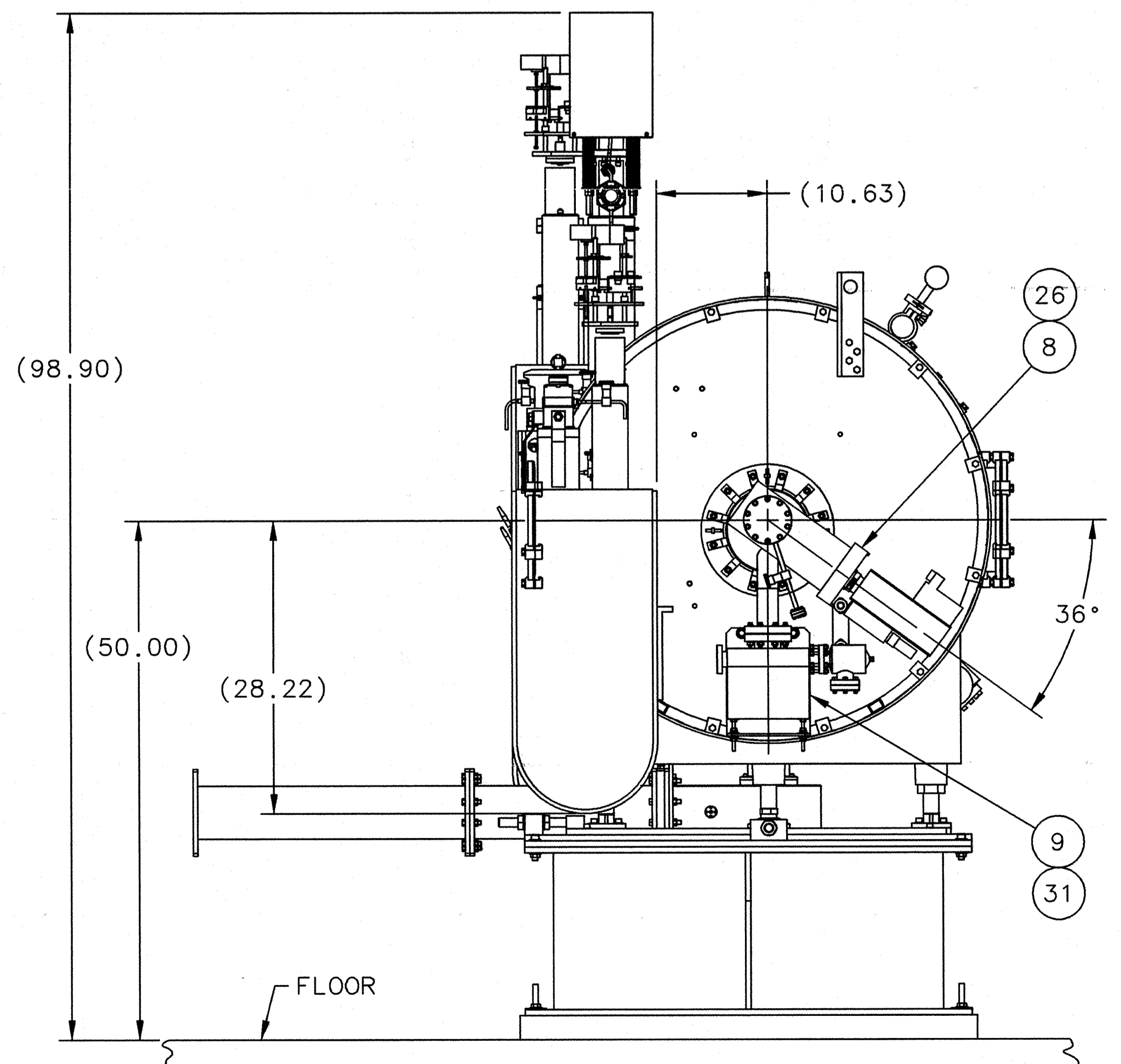
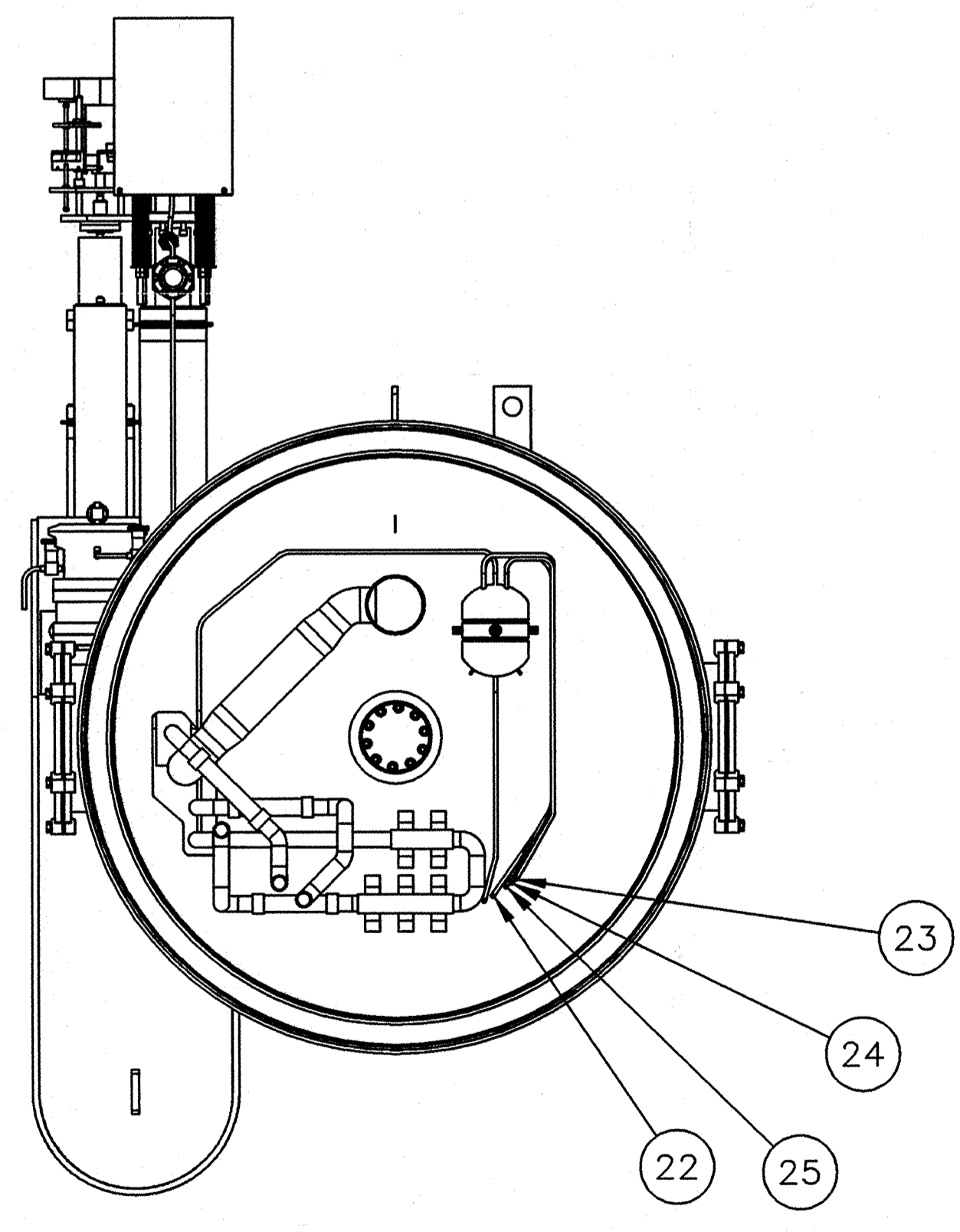
CRM-900-0000-0001

SCALE: 1:10

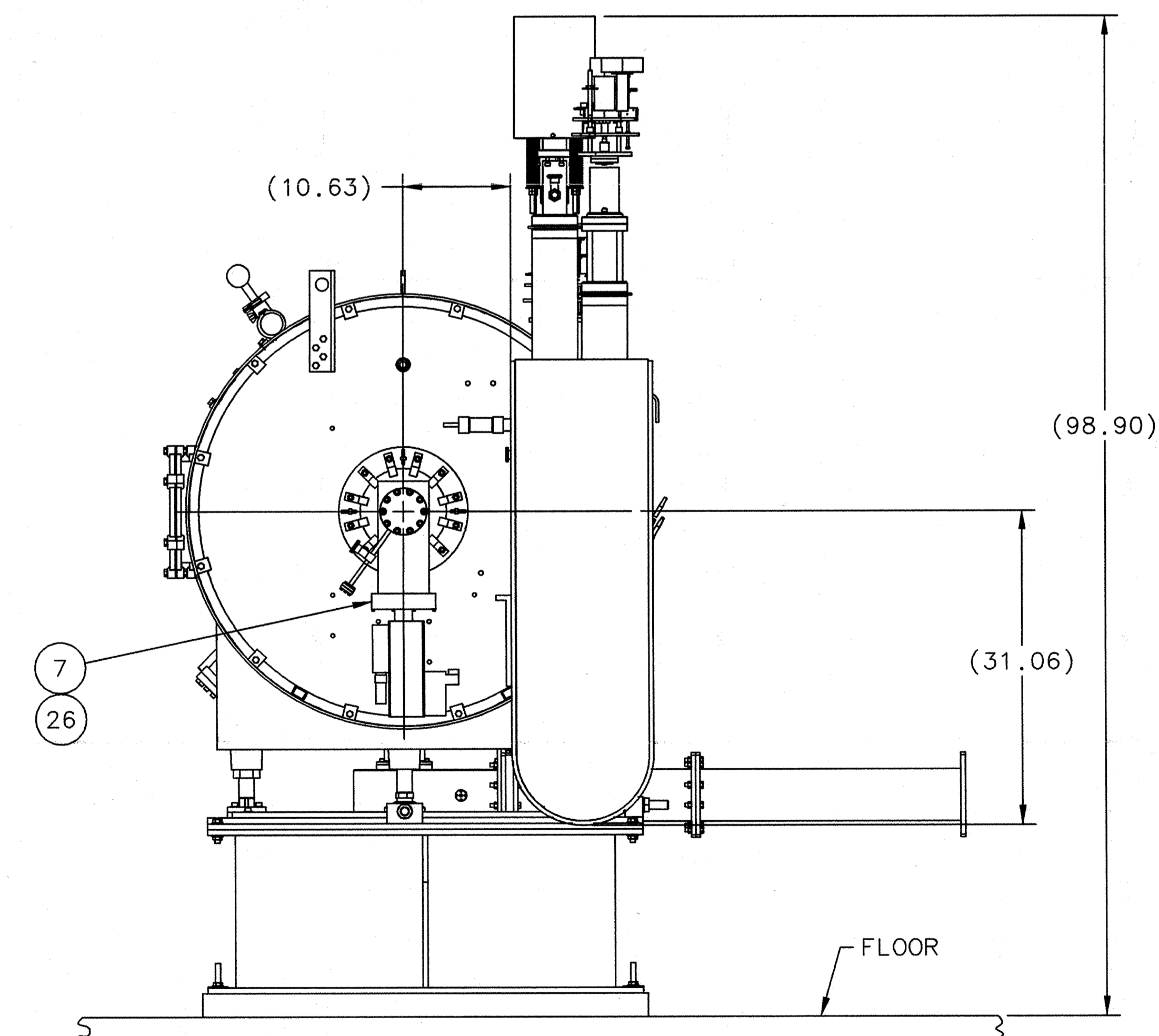
SHEET 1 OF 2



ELEVATION VIEW
RINGS ON CANS OPEN



SUPPLY END VIEW



RETURN END VIEW