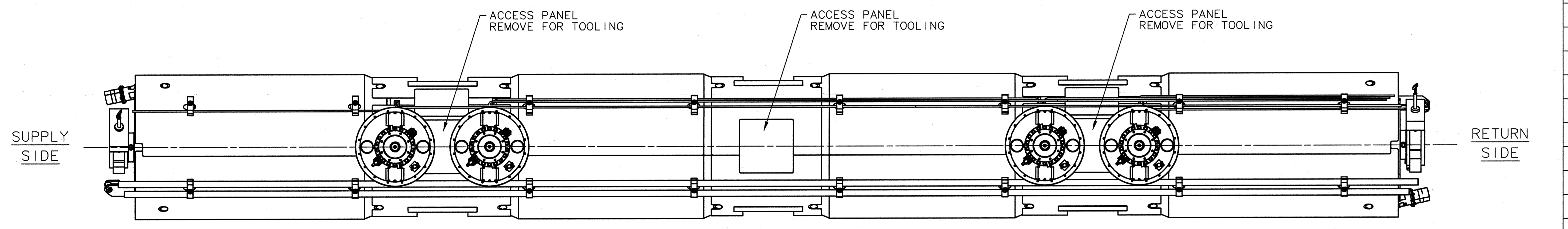
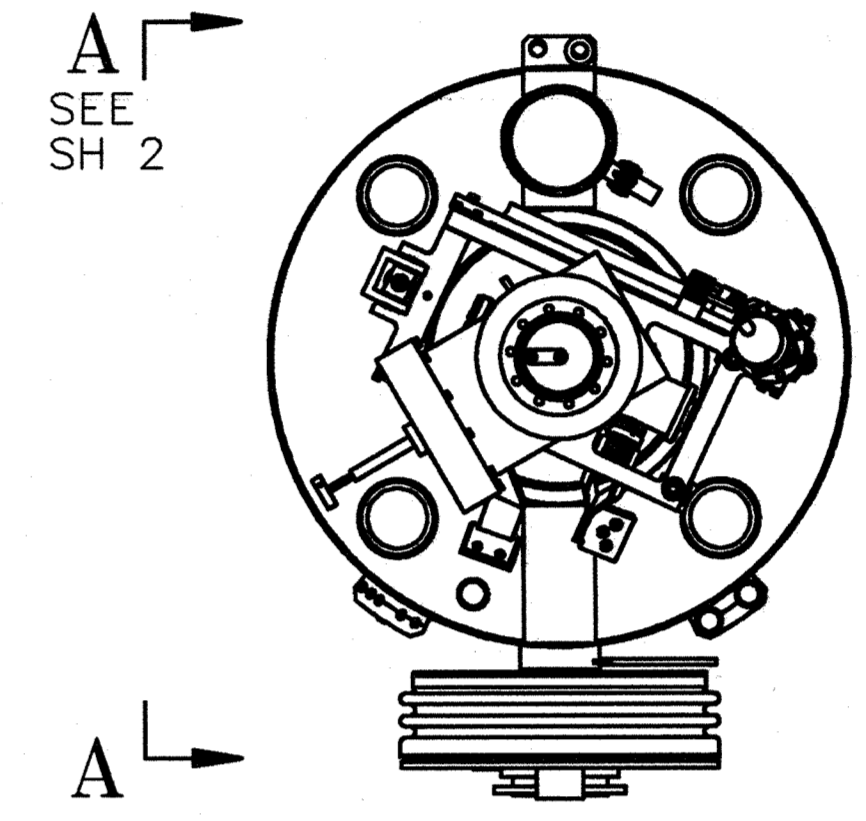
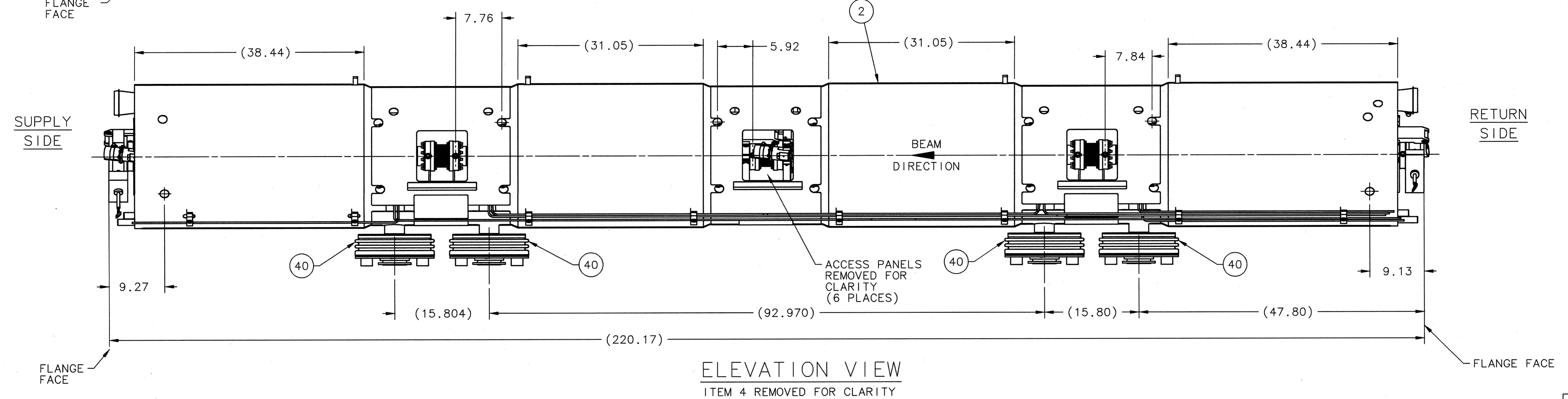
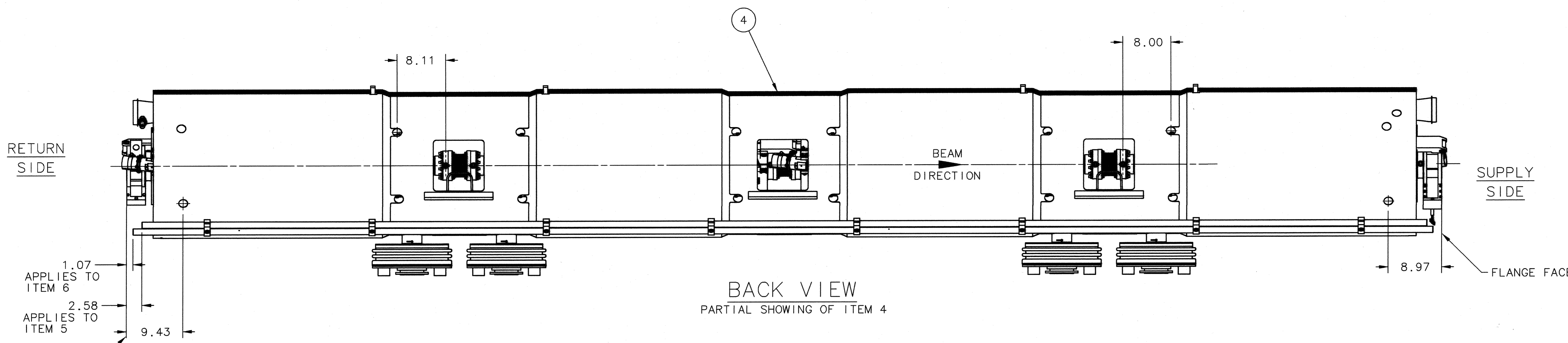


REVISION HISTORY				
ZONE	REV	DESCRIPTION	DATE	APPROVED
1-C-5				
2-A-7	A	ADDED: ITEM 45.	3/21/04	
2-G-1		CHANGED CALLOUT, WAS J11. CHANGED CALLOUT,		
2-G-2		WAS J12. CHANGED CALLOUT, WAS J6.		
2-C-7		ADDED OVERALL DIMENSION.	4/1/04	
2-E-5				



- NOTES:
- ASSEMBLE PER TRAVELER SNS-CMH-CRY-CMAS.
 - WELD PER TJNAF SPECIFICATION: 11141-S-0030.
 - LEAK CHECK PER TJNAF SPECIFICATION: 11141-S-0029.
 - INSTRUMENTATION AND FLOW SCHEMATIC CRM-900-4000-0002. WIRING DIAGRAM - CRM-900-4000-0005.
 - SUGGESTED SOURCE:
MDC VACUUM PRODUCTS CORP.
23842 CABOT BOULEVARD
HAYWARD, CA. 94545-1651
PHONE: 510-887-3500
ITEM 28 COMES IN A PACKAGE OF 10.
ITEM 35 COMES IN A PACKAGE OF 25.
 - FLOWLINE DIVISION
P.O. BOX 7027
NEW CASTLE, PA 16107
PHONE: 412-658-3711
 - CAPPLUGS DIVISION
2150 ELMWOOD AVE.
BUFFALO, NY 14207
PHONE: 716-876-9855
 - LAKESHORE CRYOTRONICS
575 McCORKLE BLVD
WESTERVILLE, OH 43082
PHONE: 614-891-2244

QTY	ITEM	PART OR IDENTIFYING NO.	DESCRIPTION	MATERIAL	NOTES
8	45	CRM-900-7000-1091	HMW HEAT INTERCEPT ASSY		
8	44		SET SCREW #2-56 X .25 LG HEX SOCKET CUP POINT	STAINLESS STEEL SILVER PLATED	
8	43	CRM-900-7000-1077	OUTER NUT (TYPE 2)		
8	42	CRM-900-7000-1076	INNER NUT (TYPE 2)		
1	41	VAC-012-0200-1003	FORMED BELLOWS WITH CUFFS 3.50 I.D. X 7.91 LG		
4	40	CRM-900-6000-0081	COUPLER ACCESSORIES		
1	39	CRM-900-7000-3015	.25 O.D. COUPLER TUBING		
16	38		HEX NUT .375-16UNC	SILICON BRONZE	
2	37		PIPE CAP-3/4 IPS SCH10S	316 L STAINLESS STEEL	
4	36		WASHER-PLAIN - (#4)	316 STAINLESS STEEL	
30	35	MDC 190001	HEX SOCKET HD / NUT SET #8-32 UNC X .75 LG	304 STAINLESS STEEL	5
5	34	CERAMASEAL #13085-01-CF	FEED THROUGH 8-PIN DOUBLE ENDED		
16	33		SET SCREW .375-16 UNC X 1.25 LG CUP POINT	316 STAINLESS STEEL	
4	32		HEX SOCKET HD CAP SCREW #4-40 UNC X .50 LG	316 STAINLESS STEEL	
1	31	CRM-900-7000-3012	.25 O.D. COUPLER TUBING		
4	30	ASSOC SPRING B0250-013-S	BELLEVILLE SPRING WASHER .125 I.D. X .250 O.D.	302 STAINLESS STEEL	
2	29	CAPPLUGS T-1064	CAP-TAPERED Ø4 INCH	LOW DENSITY POLYETHYLENE	7
5	28	MDC #191000	GASKET-1.33 CONFLAT FLANGE	COPPER	5
16	27		FOIL-.005-.010 THICK .37 O.D. X .12 I.D.	INDIUM	

QTY	ITEM	PART OR IDENTIFYING NO.	DESCRIPTION	MATERIAL	NOTES
16	26	LAKESHORE DT-670A-D1	SILICON DIODE TEMPERATURE SENSOR		8
1	25	CRM-900-7000-3011	.25 TUBE COUPLER INPUT		
1	24	CRM-900-7000-3010	.25 TUBING COOLING-(FPC SUPPLY)		
1	23	CRM-900-7000-3009	.25 TUBING COOLING-2 (FPC OUT)		
1	22	CRM-900-7000-3008	.25 TUBING COOLING-1 (FPC OUT)		
1	21	CRM-900-7000-3007	.25 TUBING COUPLER-FPC-2		
1	20	CRM-900-7000-3006	.25 TUBING COUPLER-FPC-1		
1	19	CRM-900-7000-3005	.25 TUBING COOLING		
1	18	CRM-900-7000-1069	.25 TUBING COUPLER-FPC		
4	17	CRM-900-7000-1063	MLI-CAVITY HD FPC HALF		
4	16	CRM-900-7000-1062	MLI-CAVITY HD FPC HALF (HEL)		
4	15	CRM-900-7000-1061	MLI-CAVITY HD TUNER HALF		
4	14	CRM-900-7000-1060	MLI-CAVITY HD TUNER HALF (HEL)		
2	13	CRM-900-7000-1053	.25 TUBING-COOLING (FPC SHORT)		
8	12	CRM-900-7020-1027	1/4 TUBE CLAMP		
8	11	CRM-900-7020-1026	3/4 PIPE CLAMP		
1	10	CRM-900-7000-1023	REDUCER ASSY- RETURN		
1	9	FLOWLINE	REDUCER 3.5 X 3 IPS SCH 10S	316 L STAINLESS STEEL	6
3	8	CRM-900-7000-1019	CORRUGATED HOSE-3/4 X 17.50 LG		
2	7	CRM-900-7000-1017	HE OUTLET FEED THROUGH		
1	6	CRM-900-7000-3014	3/4 IPS PIPE TO HEAT EX		
1	5	CRM-900-7000-3013	3/4 IPS PIPE FROM HEAT EX		
1	4	CRM-900-5020-1038	2K THERMAL MLI INSULATION SUBASSEMBLY		
4	3	CRM-900-7030-0000	TUNER ASSEMBLY		
1	2	CRM-900-5020-0003	INNER MAGNETIC SHIELD ASSY		
1	1	CRM-900-7000-0003	CAVITY STRING ASSY-CLEANROOM		

DOCUMENT CONTROL STAMP

DO NOT SCALE DRAWING

UNLESS OTHERWISE SPECIFIED DIMENSIONS ARE IN INCHES TOLERANCES ARE DECIMAL ANGLES ± N/A

THIRD ANGLE PROJECTION

APPROVALS

DATE

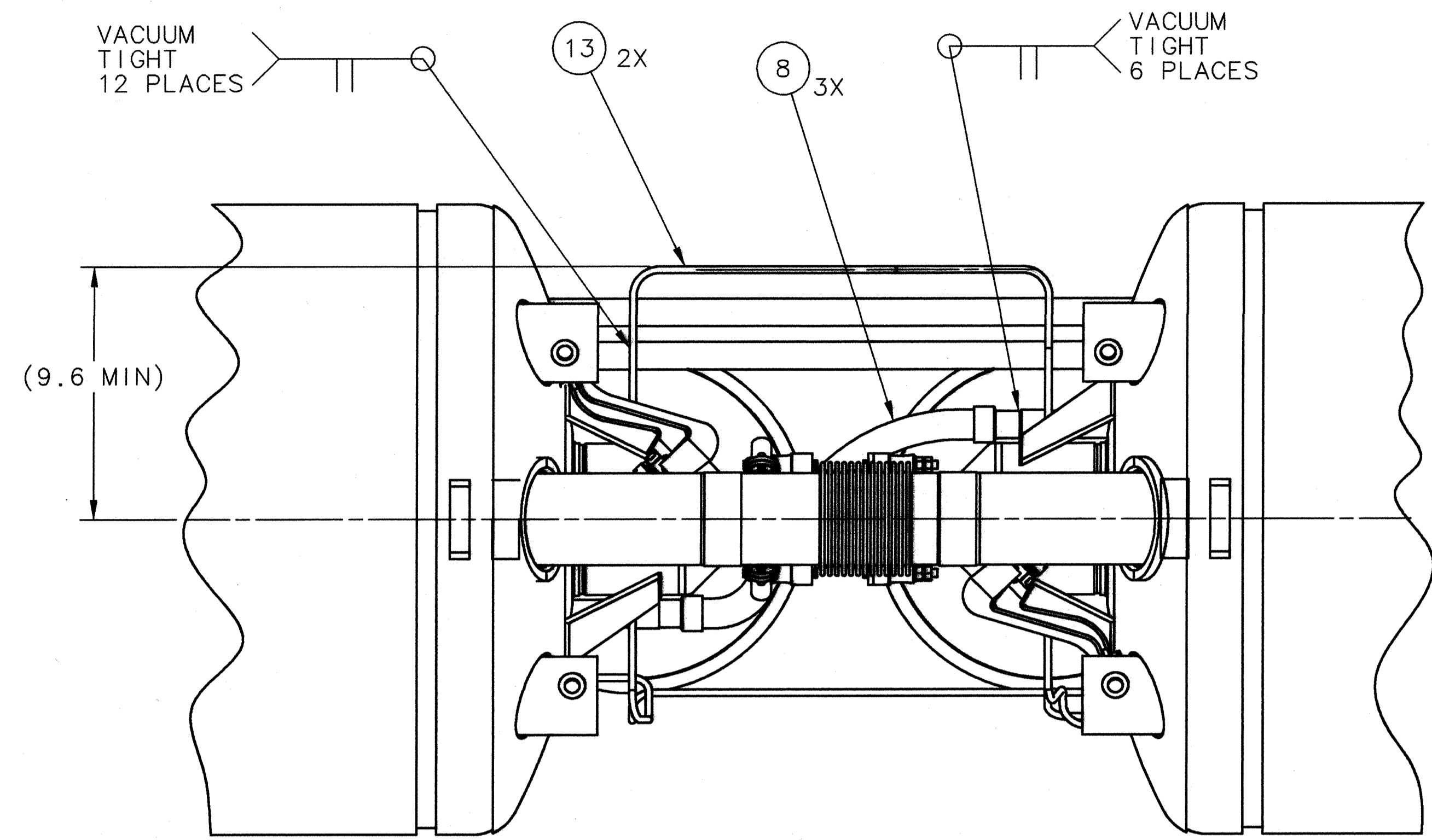
SPALLATION NEUTRON SOURCE 0.81 BETA CRYMODULE CAVITY STRING

CAVITY STRING ASSY-OUTSD CLEANROOM

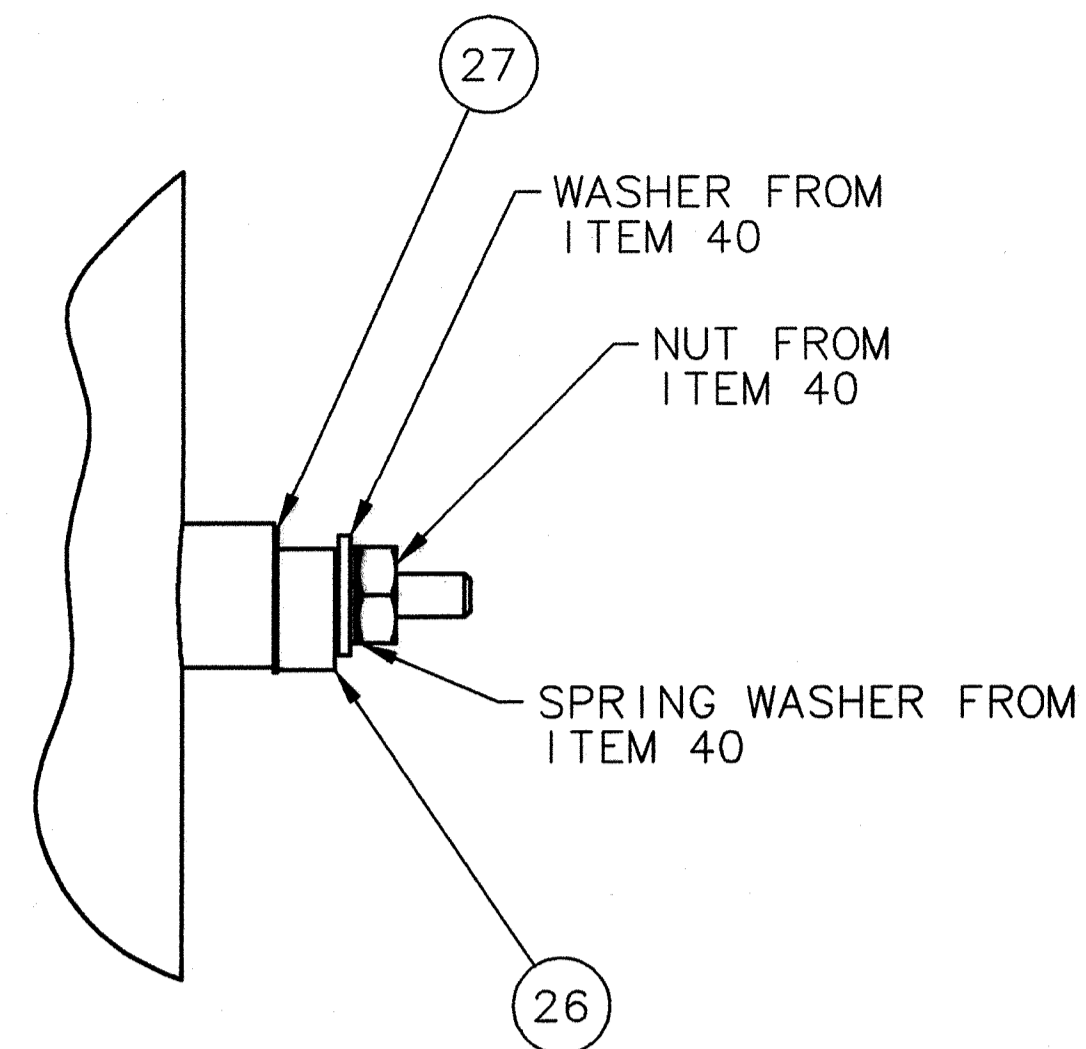
CRM-900-7000-0001

SCALE 1:8

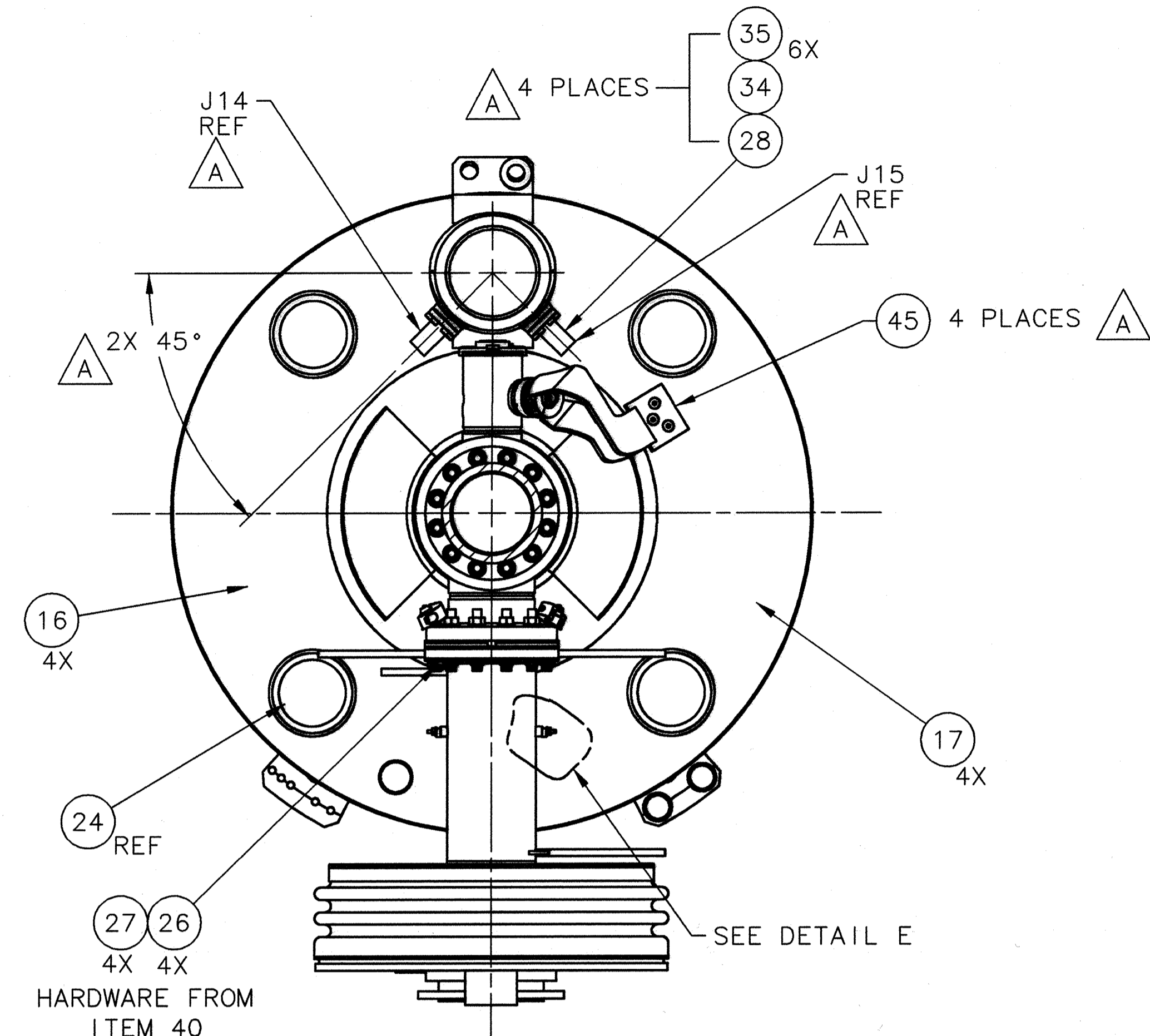
SHEET 1 OF 3



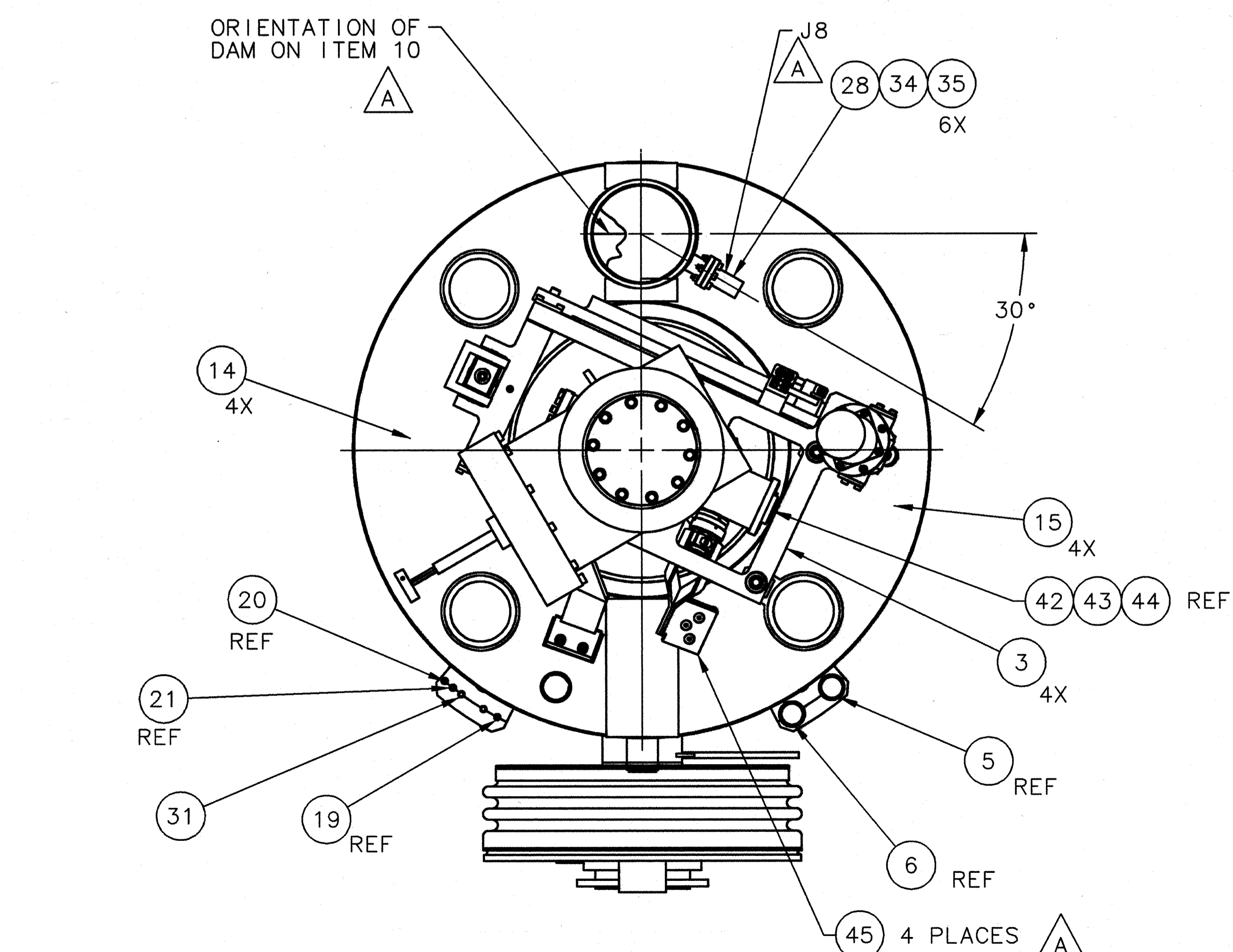
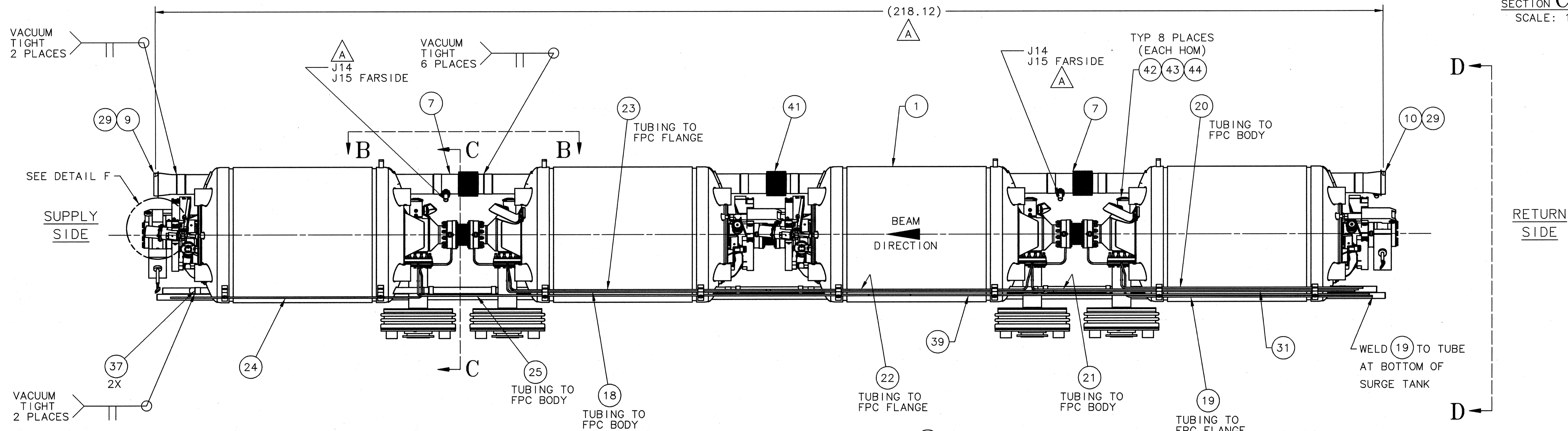
VIEW B-B
SCALE: 1:4



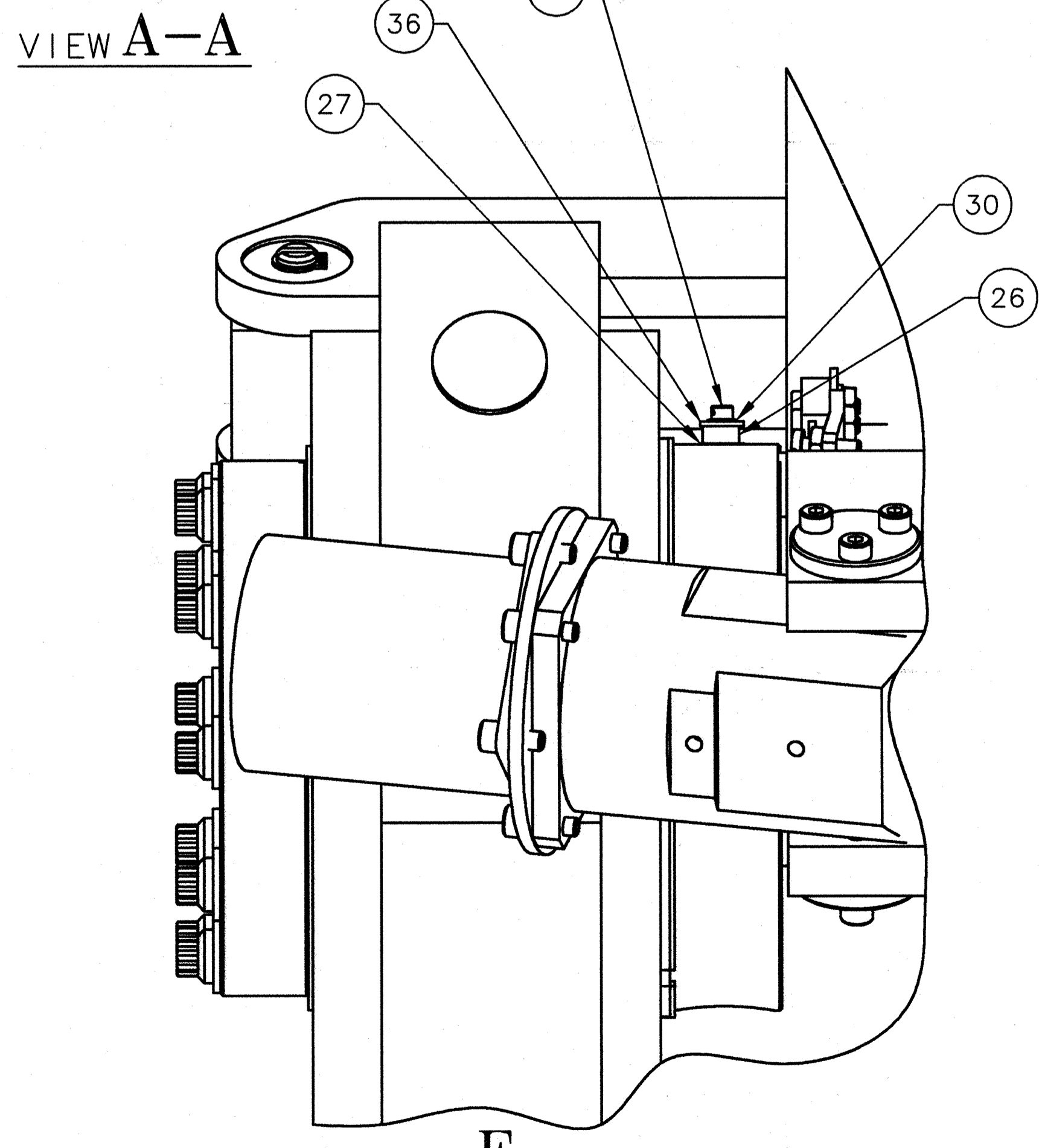
DETAIL E
SCALE: 2:1
8 PLACES



SECTION C-C
SCALE: 1:4

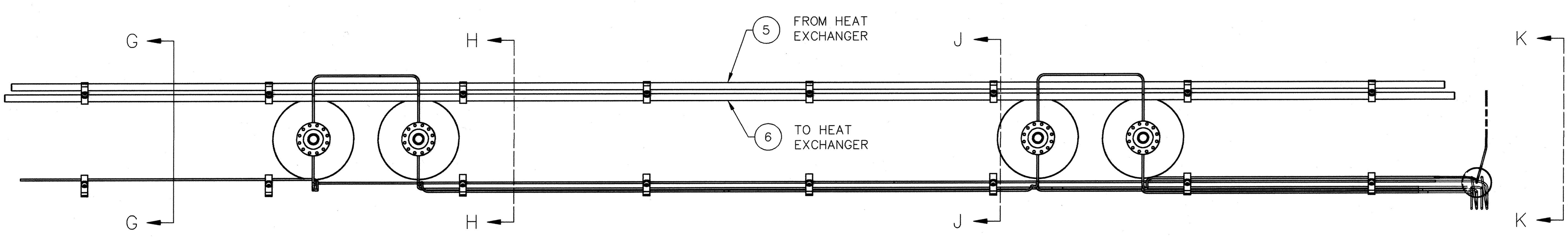


VIEW D-D
SCALE: 1:4

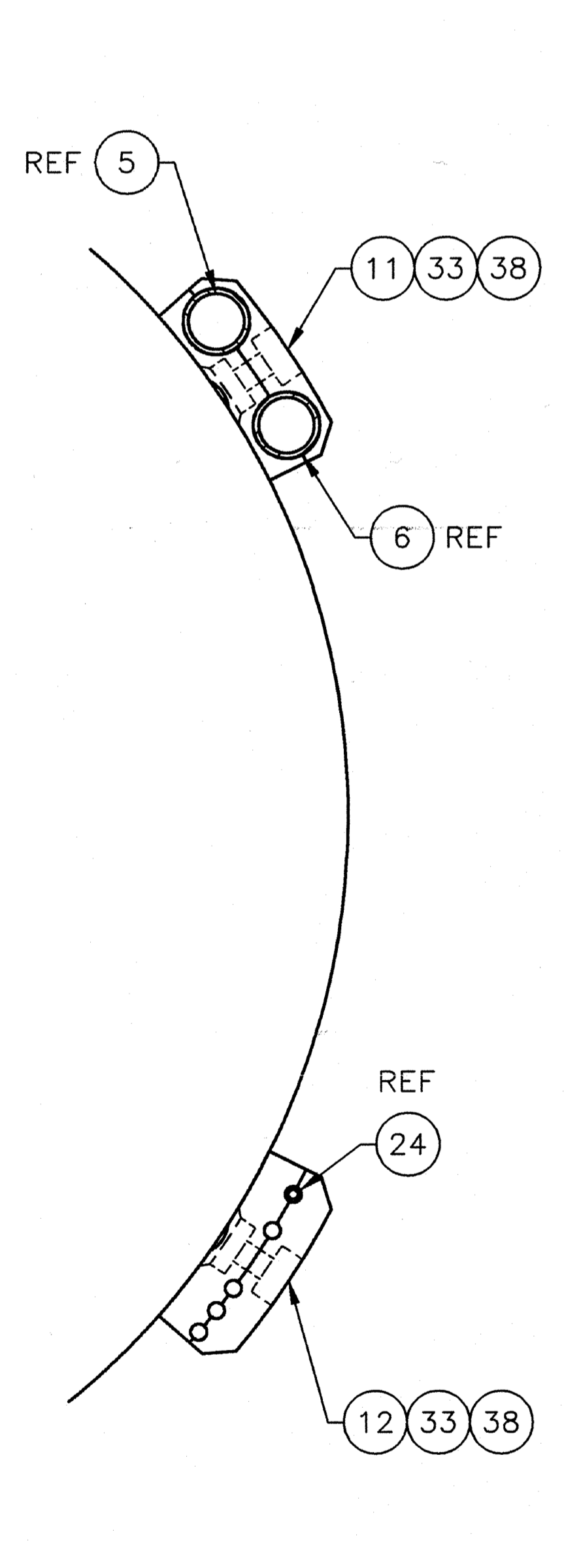


DETAIL F
SCALE: 1:1
4 PLACES

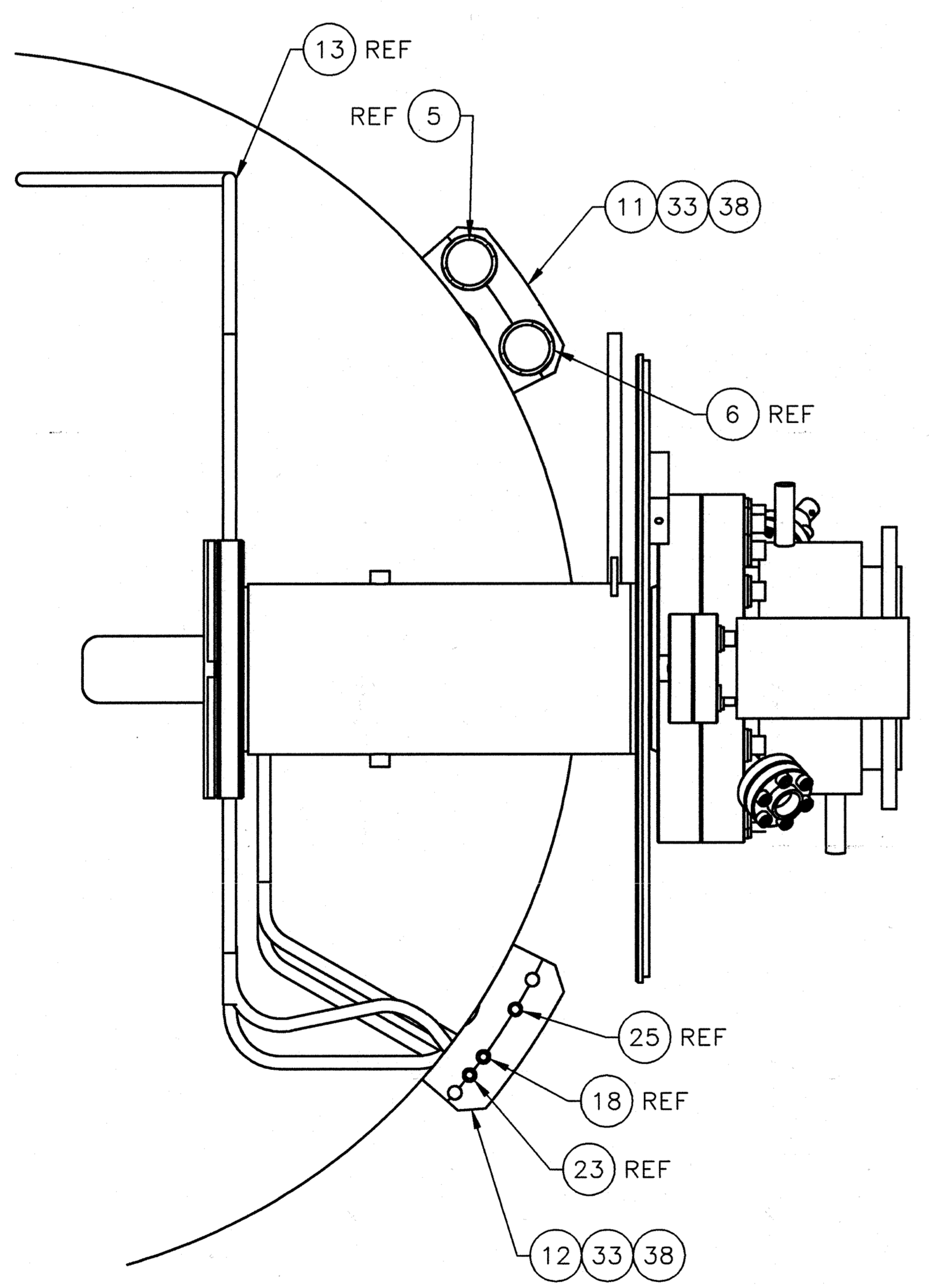
8 7 6 5 4 3 2 1



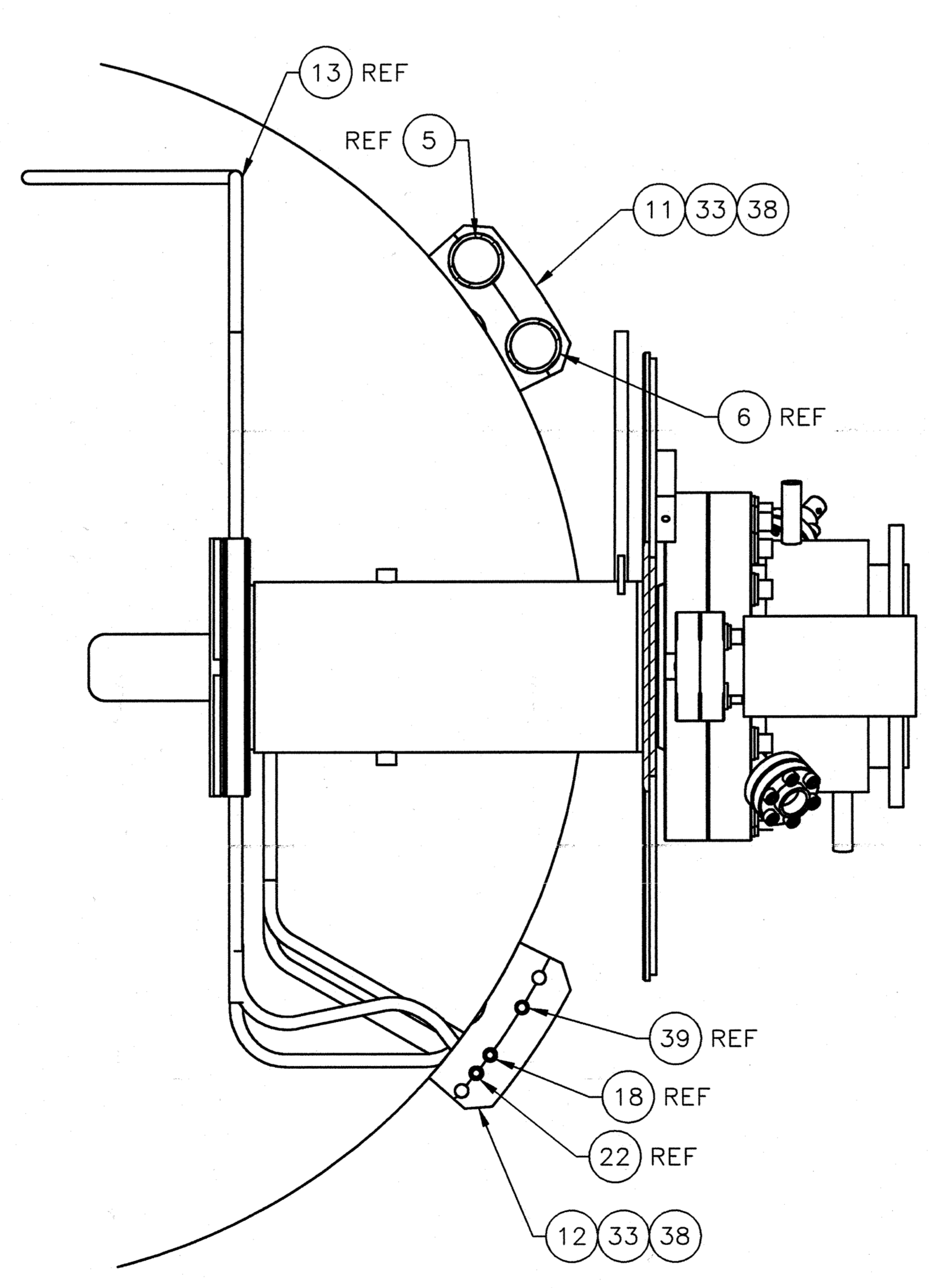
PARTIAL TOP VIEW
COUPLER AND HEAT EXCHANGER PIPING



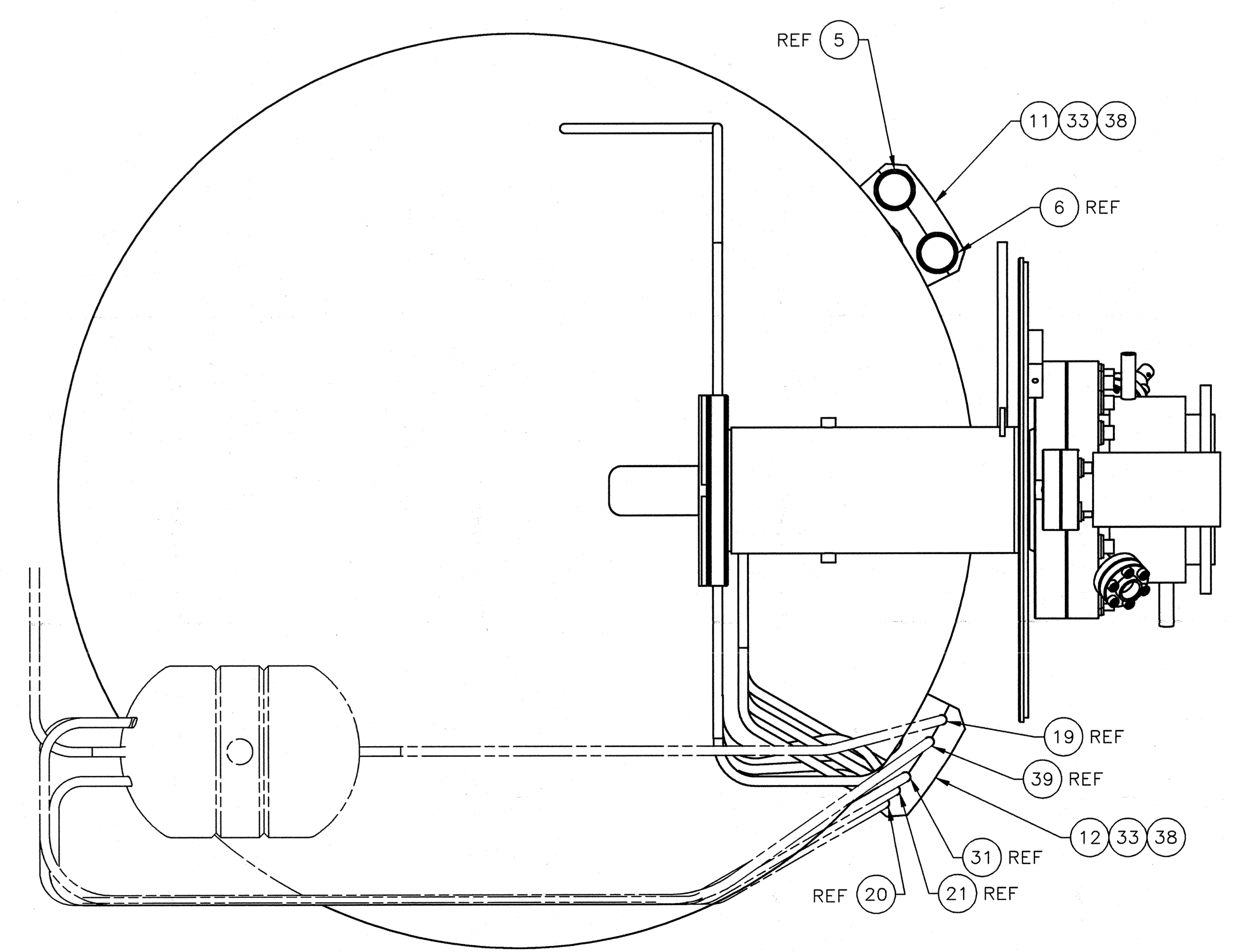
SECTION G-G



SECTION H-H



SECTION J-J



VIEW K-K
ITEMS SHOWN IN PHANTOM ARE
FURNISHED AT HIGHER ASSY AND
ARE SHOWN FOR REFERENCE ONLY

8 7 6 5 4 3 2 1