

AMC40 for very early users



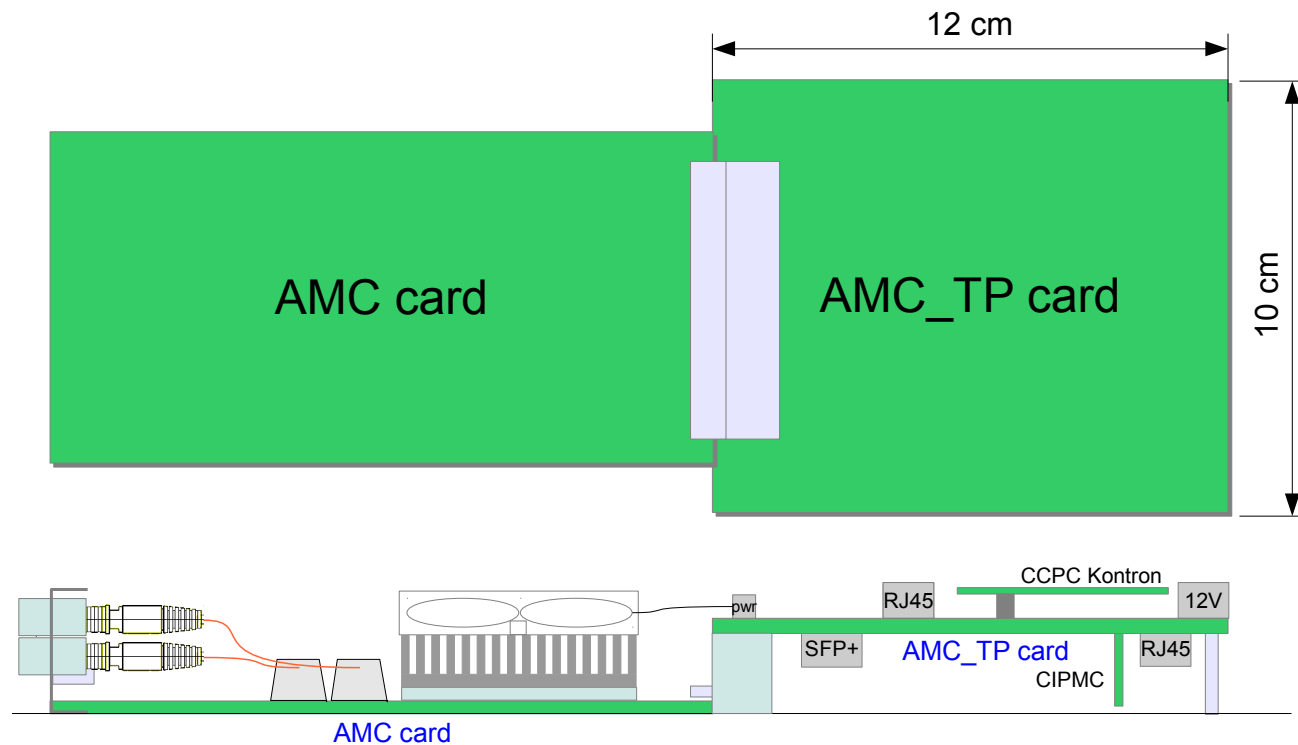
J.P. Cachemiche, P.Y. Duval,
F. Hachon, R. Le Gac, F. Rethore

Outline

- **Proposed test setup**
- **Duplication costs**

Proposed test setup

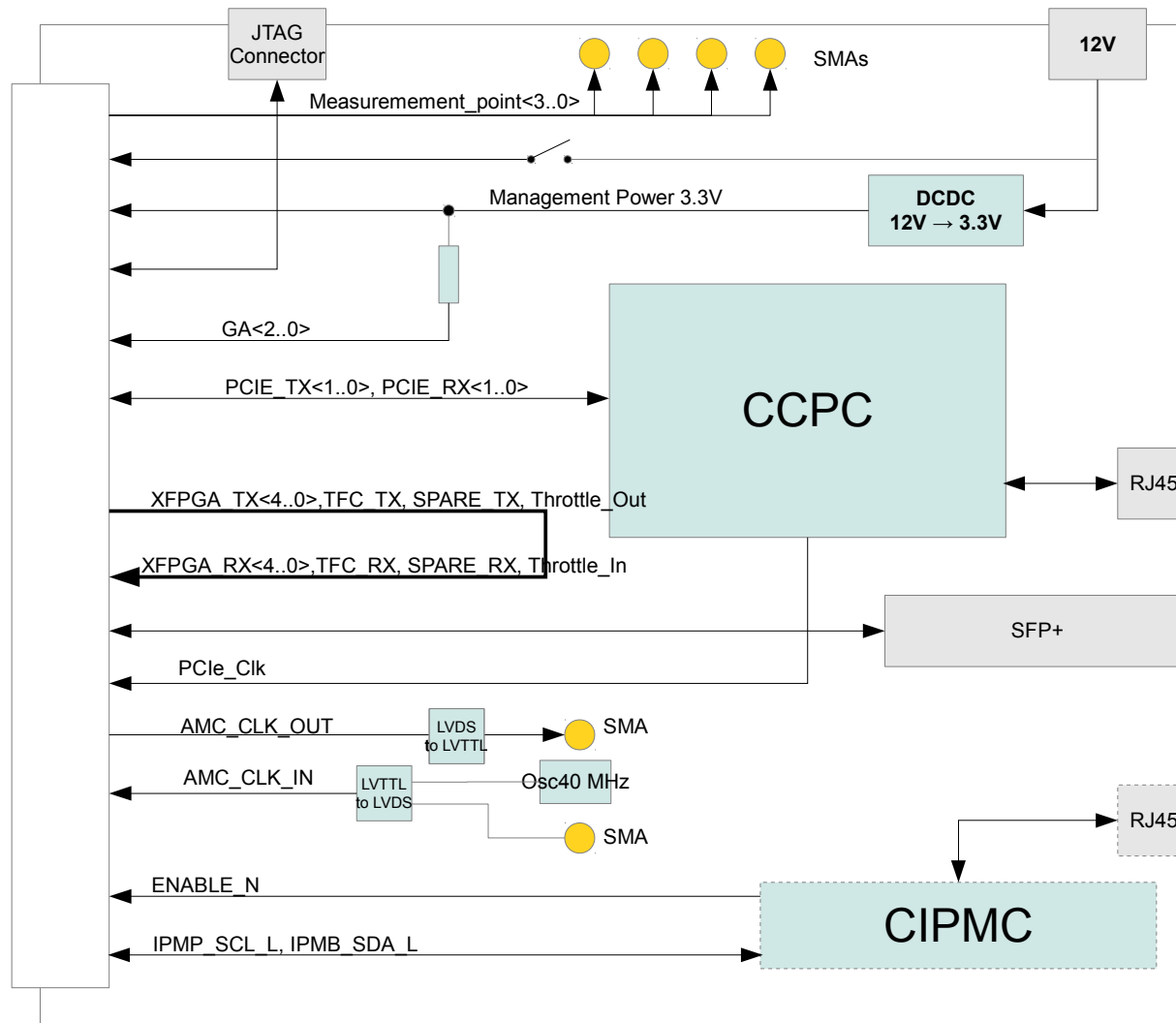
“On table” debug



Requires only 12V and a Gigabit Ethernet link

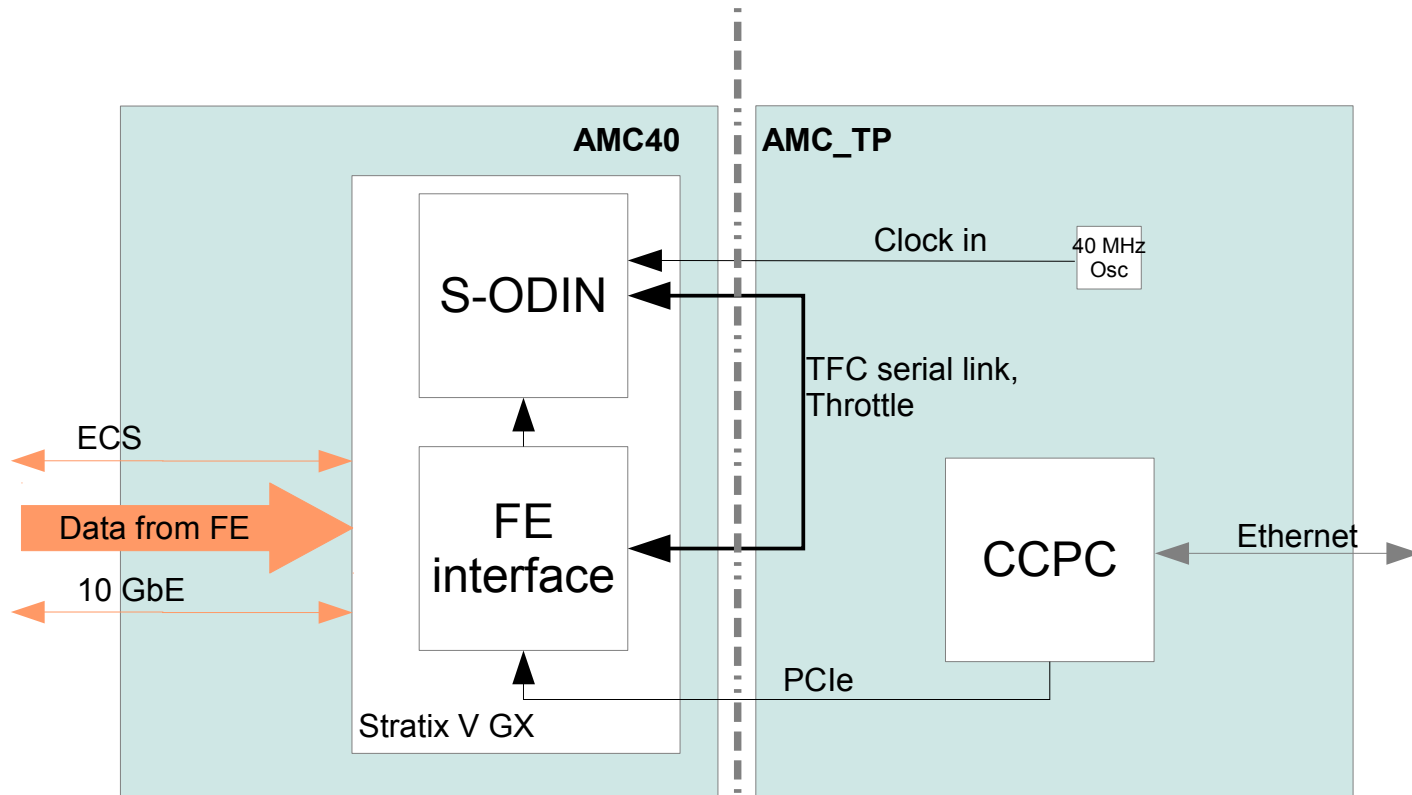
AMC Test Pad

Same CCPC as in the final setup



Typical test configuration

FE test with TFC



Duplication costs

Duplication will start by June

Costs

| | AMC40 | AMC_TP | Total cost |
|---------------------------------|--------------|---------------|-------------------|
| Cost with 12 Rx/Tx pair | 8 560 € | 820 € | 9 380 € |
| Cost with 24 Rx/Tx pairs | 9 300 € | 820 € | 10 120 € |
| Cost with 36 Rx/Tx pairs | 10 041 € | 820 € | 10 861 € |

Conclusion

We can duplicate few AMC40 boards for very early users

Components have to be ordered by mid-April

- Funding must be arrived at CPPM if groups are interested in

Boards available in November