

PSB DUMP ENDOSCOPY

LIU-PSB Meeting

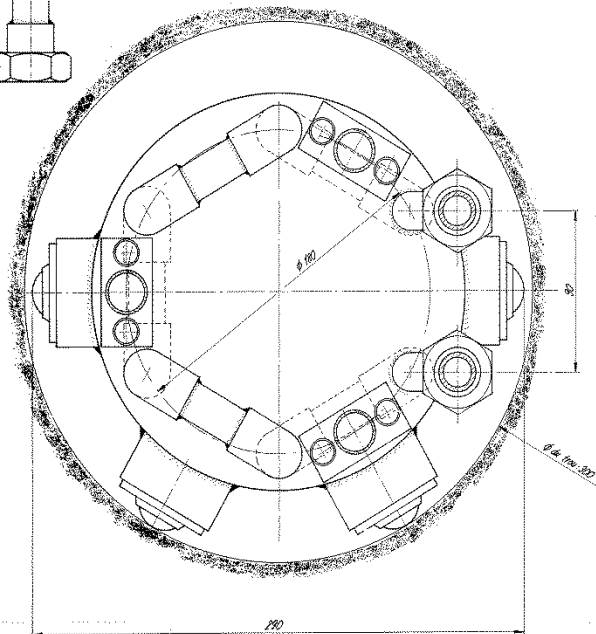
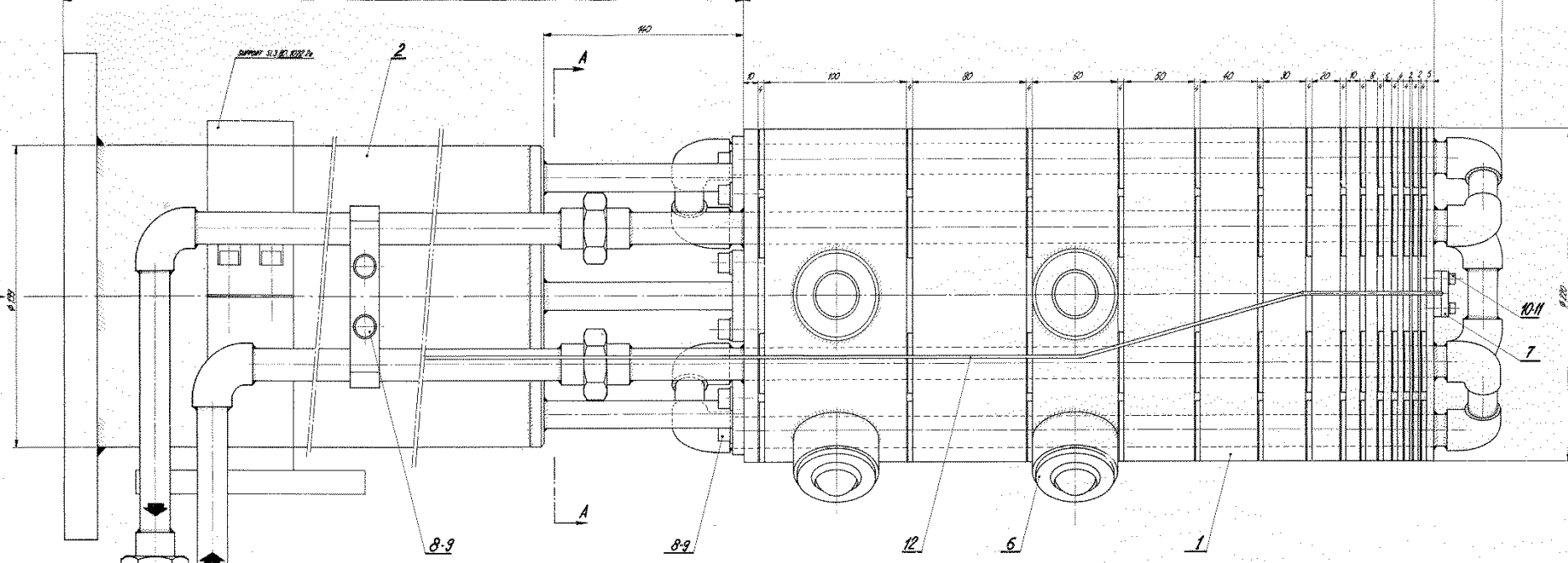
February 16, 2012

Alba Sarrió

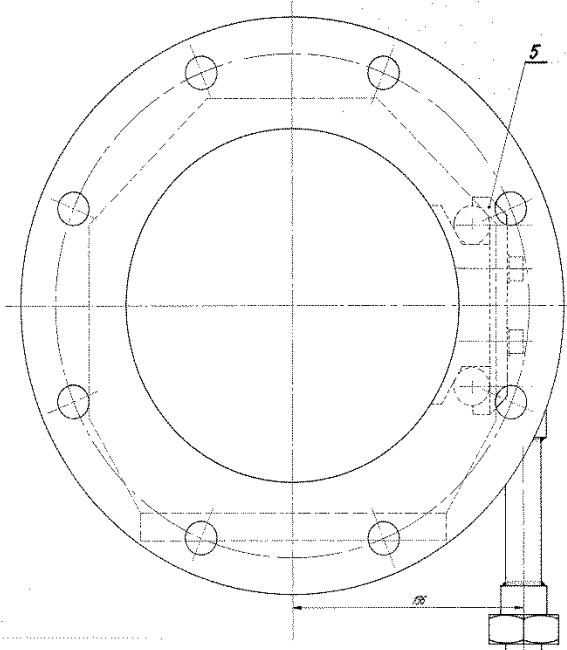
0263

481

565



COUPE AA



VUE SUIVANT F

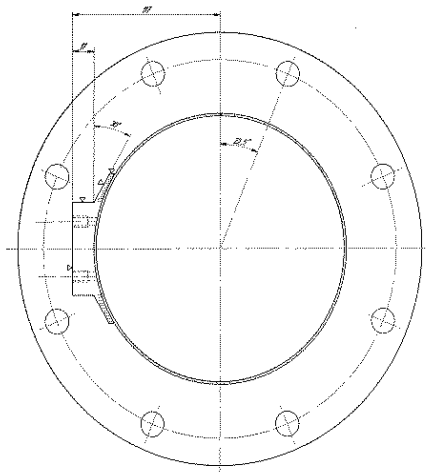
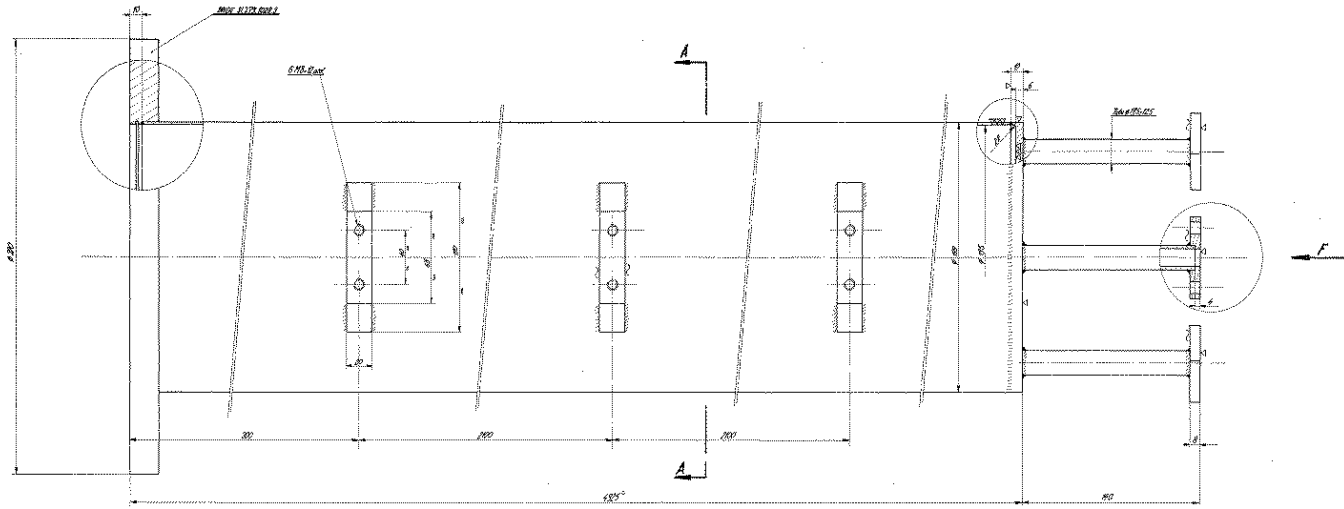
NOTE:
 Poids total ~ 150 kg
 Poids beam dump ~ 150 kg
 Pression d'essai: 15 atm

DESCRIPTION	POS	MAT	OBSERVATION
1. SUPPORT 2.881.83	0		
2. ANNEAU	10	A	
3. VIS C.H.T.	10	A	
4. ANNEAU	2	A	
5. VIS C.H.T.	10	A	
6. BRAS	2	A	
7. BRAS	2	A	
8. BRAS	2	A	
9. BRAS	2	A	
10. BRAS	2	A	
11. BRAS	2	A	
12. BRAS	2	A	

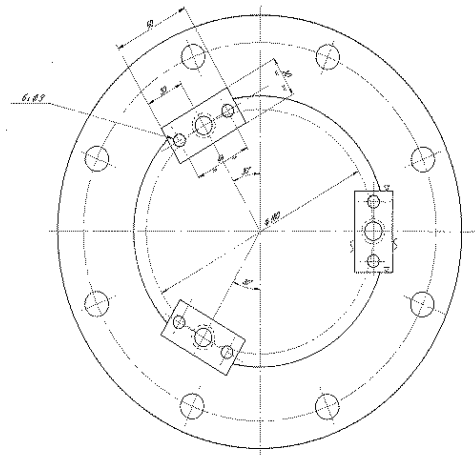
AM90404

si. 3.83

Vacuum Pipe



COUPE AA



VUE SUIVANT F

RE:
 Système d'anchorage provisoire TIG
 Arêtes soudures, D₂-F
 La chambre peut être réalisée en 2 tronçons soudés bord à bord

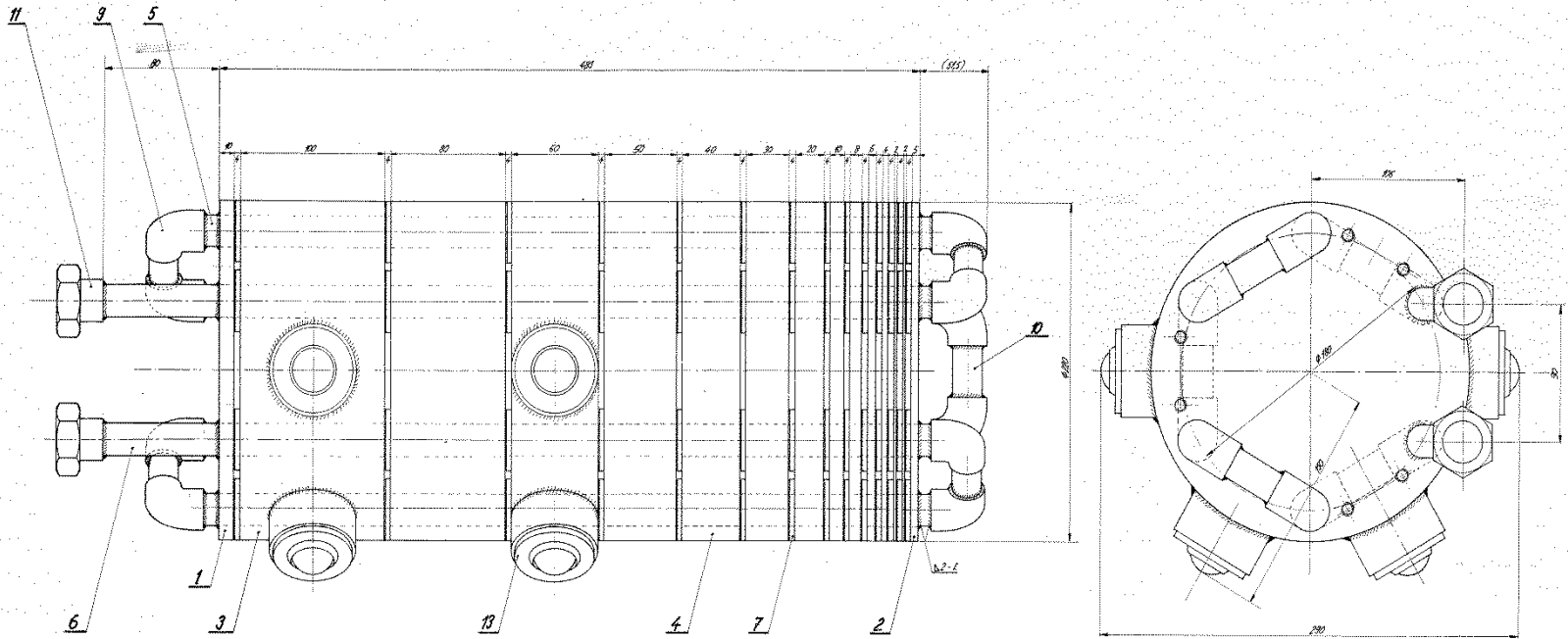
MALC. 04-105° et/ou 50°
 MELS. 0-100° et/ou chambre d'air 100mm

REQUISITION		A. 201.201.001	
NO	DESIGNATION	QTE	UNITE
1	CHAMBRE A VIDE	1	PIECE
2
3
4
5
6
7
8
9
10
11
12
13
14
15
16
17
18
19
20
21
22
23
24
25
26
27
28
29
30
31
32
33
34
35
36
37
38
39
40
41
42
43
44
45
46
47
48
49
50
51
52
53
54
55
56
57
58
59
60
61
62
63
64
65
66
67
68
69
70
71
72
73
74
75
76
77
78
79
80
81
82
83
84
85
86
87
88
89
90
91
92
93
94
95
96
97
98
99
100

EXPLO.

si 3 83 217 0.

Dump core



RE:

Tous les records de l'usinier seront notés d'arc et soulé ensuite pour assurer l'exactitude.

REVISION	DESCRIPTION	DATE	BY	CHKD BY
1	REVISION 0001			
2	REVISION 0002			
3	REVISION 0003			
4	REVISION 0004			
5	REVISION 0005			
6	REVISION 0006			
7	REVISION 0007			
8	REVISION 0008			
9	REVISION 0009			
10	REVISION 0010			
11	REVISION 0011			
12	REVISION 0012			
13	REVISION 0013			
14	REVISION 0014			
15	REVISION 0015			
16	REVISION 0016			
17	REVISION 0017			
18	REVISION 0018			
19	REVISION 0019			
20	REVISION 0020			
21	REVISION 0021			
22	REVISION 0022			
23	REVISION 0023			
24	REVISION 0024			
25	REVISION 0025			
26	REVISION 0026			
27	REVISION 0027			
28	REVISION 0028			
29	REVISION 0029			
30	REVISION 0030			
31	REVISION 0031			
32	REVISION 0032			
33	REVISION 0033			
34	REVISION 0034			
35	REVISION 0035			
36	REVISION 0036			
37	REVISION 0037			
38	REVISION 0038			
39	REVISION 0039			
40	REVISION 0040			
41	REVISION 0041			
42	REVISION 0042			
43	REVISION 0043			
44	REVISION 0044			
45	REVISION 0045			
46	REVISION 0046			
47	REVISION 0047			
48	REVISION 0048			
49	REVISION 0049			
50	REVISION 0050			
51	REVISION 0051			
52	REVISION 0052			
53	REVISION 0053			
54	REVISION 0054			
55	REVISION 0055			
56	REVISION 0056			
57	REVISION 0057			
58	REVISION 0058			
59	REVISION 0059			
60	REVISION 0060			
61	REVISION 0061			
62	REVISION 0062			
63	REVISION 0063			
64	REVISION 0064			
65	REVISION 0065			
66	REVISION 0066			
67	REVISION 0067			
68	REVISION 0068			
69	REVISION 0069			
70	REVISION 0070			
71	REVISION 0071			
72	REVISION 0072			
73	REVISION 0073			
74	REVISION 0074			
75	REVISION 0075			
76	REVISION 0076			
77	REVISION 0077			
78	REVISION 0078			
79	REVISION 0079			
80	REVISION 0080			
81	REVISION 0081			
82	REVISION 0082			
83	REVISION 0083			
84	REVISION 0084			
85	REVISION 0085			
86	REVISION 0086			
87	REVISION 0087			
88	REVISION 0088			
89	REVISION 0089			
90	REVISION 0090			
91	REVISION 0091			
92	REVISION 0092			
93	REVISION 0093			
94	REVISION 0094			
95	REVISION 0095			
96	REVISION 0096			
97	REVISION 0097			
98	REVISION 0098			
99	REVISION 0099			
100	REVISION 0100			

AMAG003

S-ENS BEAM DUMP
CERN
1211 GENEVE 23
SI 3.83 1002.0



05/12/2011



15/12/2011



15/12/2011



15/12/2011

The endoscope



The endoscope



The endoscope



Endoscopy



Endoscopy



Protection for the head of the endoscope



Observing the outside of vacuum pipe / dump core



Protection for the head of the endoscope

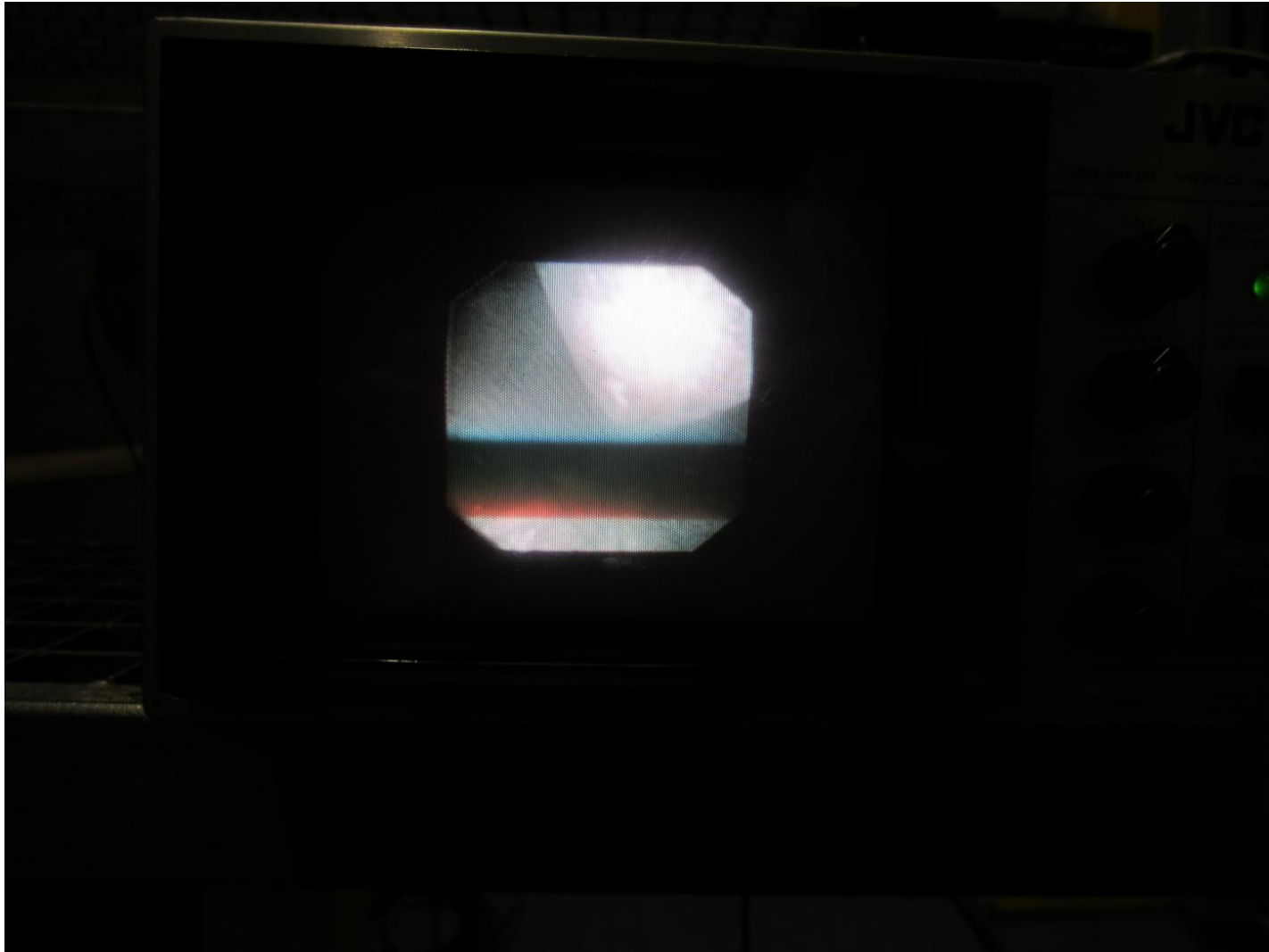






 Danger Radiation

Observing the outside of vacuum pipe / dump core



Observing the outside of vacuum pipe / dump core



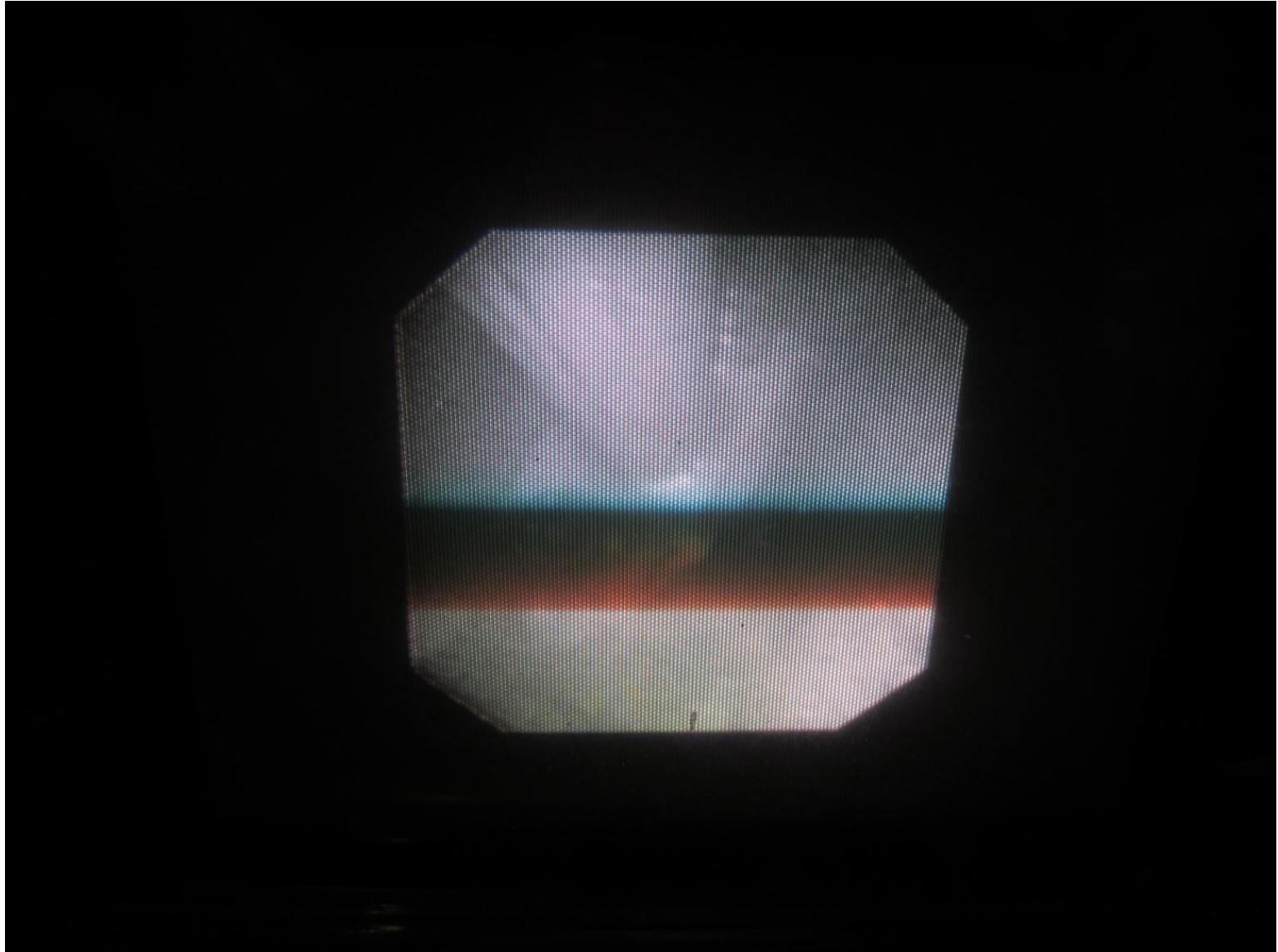
Observing the outside of vacuum pipe / dump core



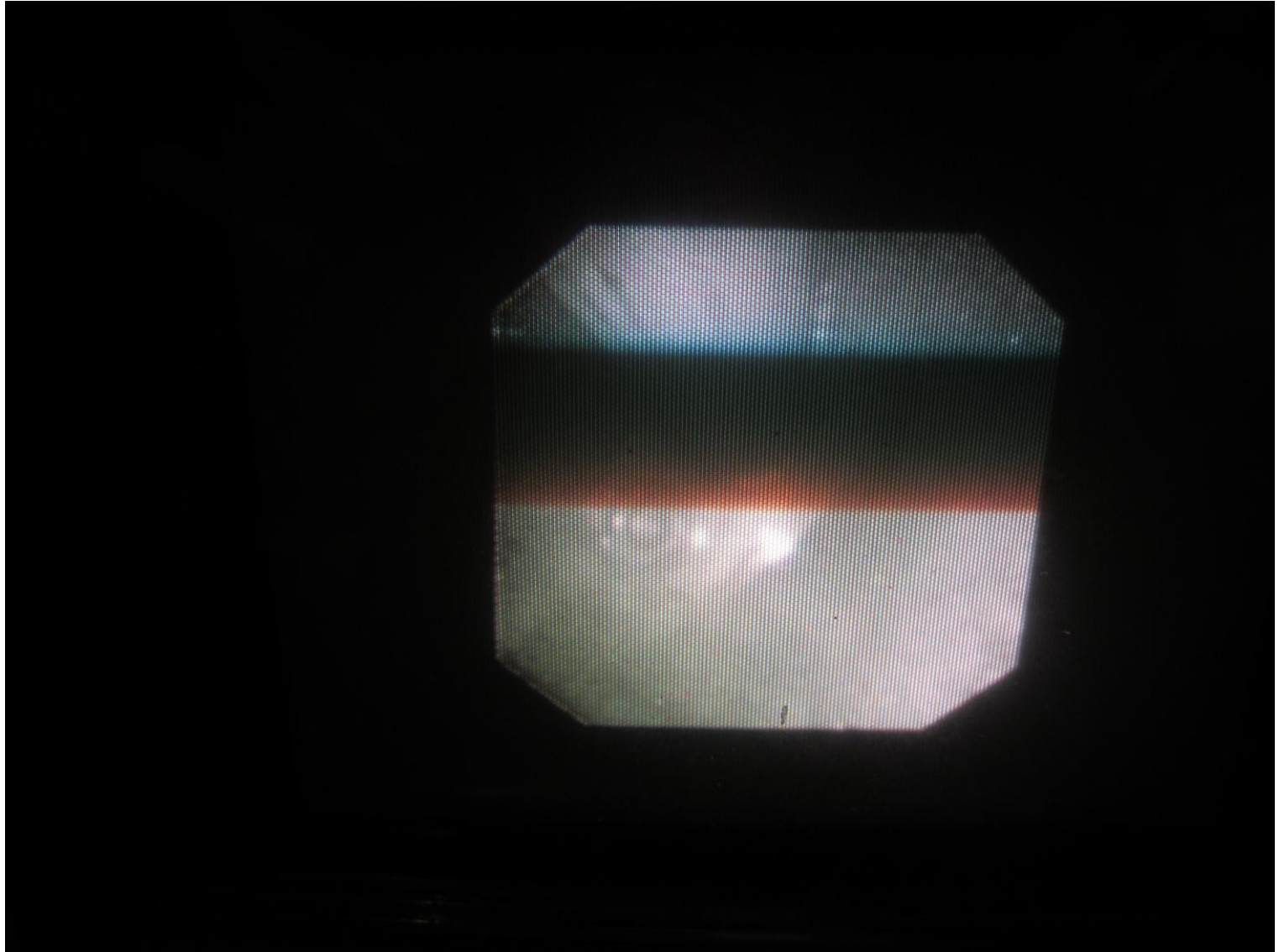
Observing the outside of vacuum pipe / dump core



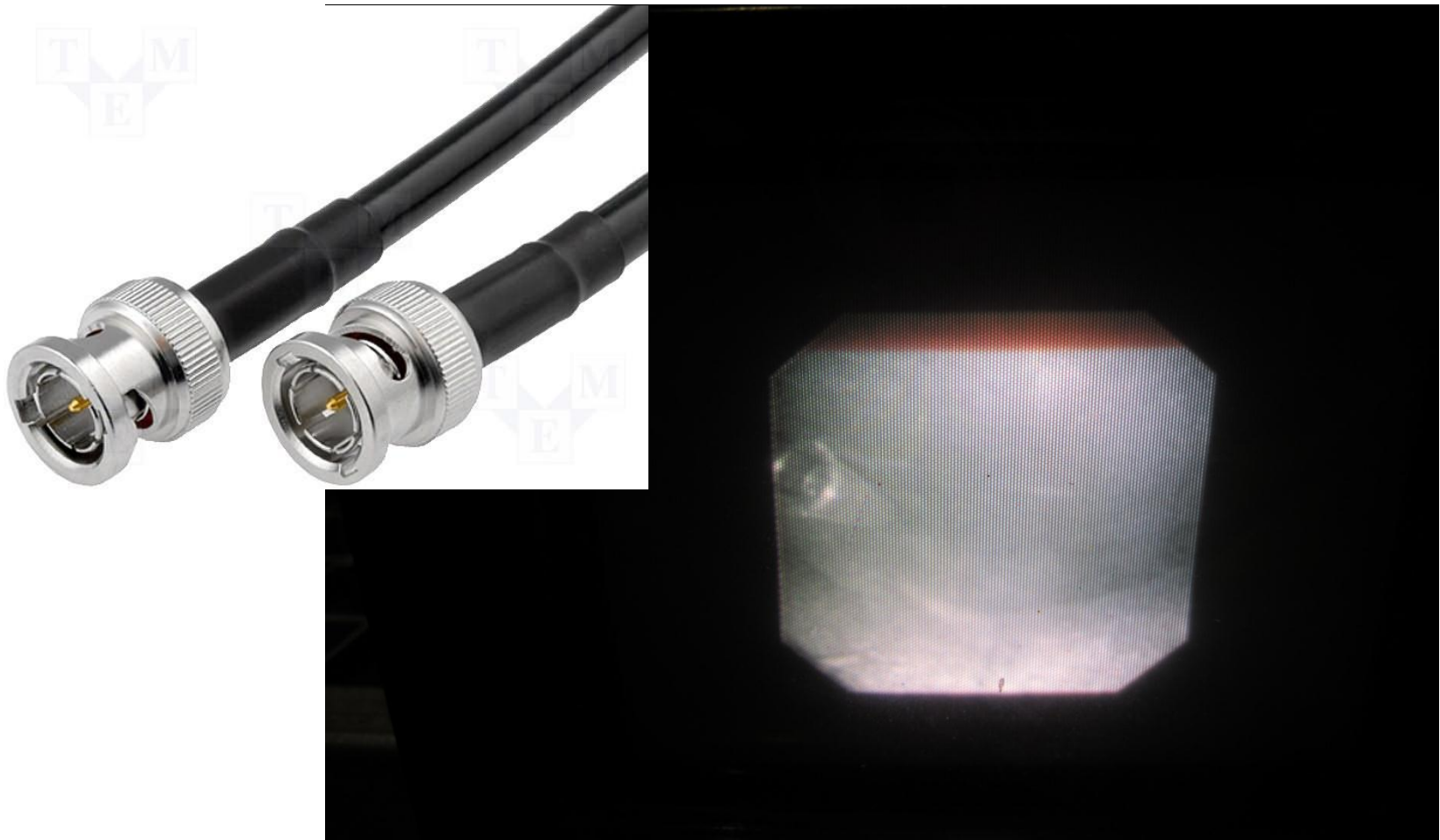
Observing the outside of vacuum pipe / dump core



Observing the outside of vacuum pipe / dump core

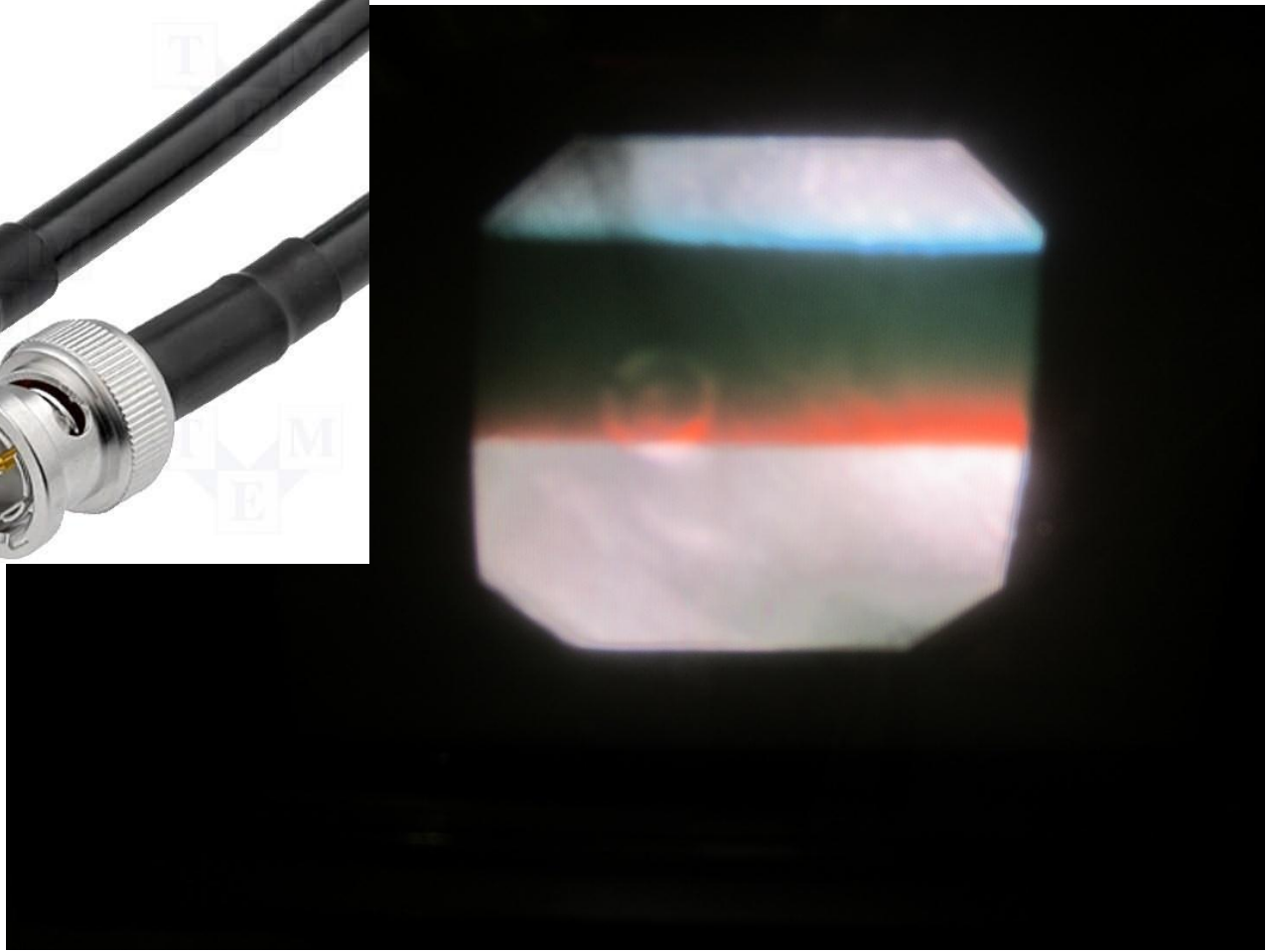


Observing the outside of vacuum pipe / dump core



BCN connection for the thermocouple?

Observing the outside of vacuum pipe / dump core



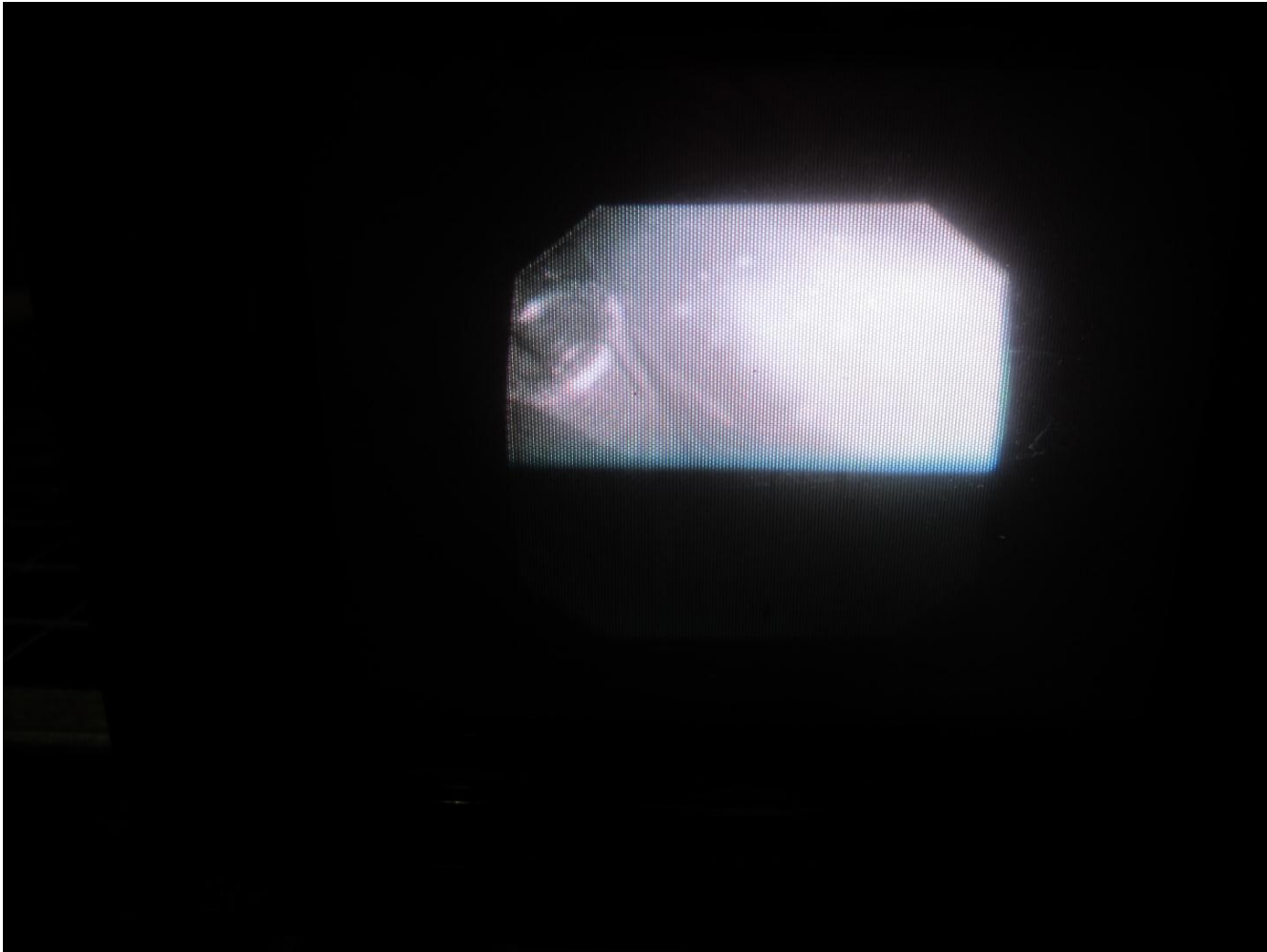
BCN connection for the thermocouple?

Observing the outside of vacuum pipe / dump core



BCN connection for the thermocouple?

Observing the outside of vacuum pipe / dump core



BCN connection for the thermocouple?

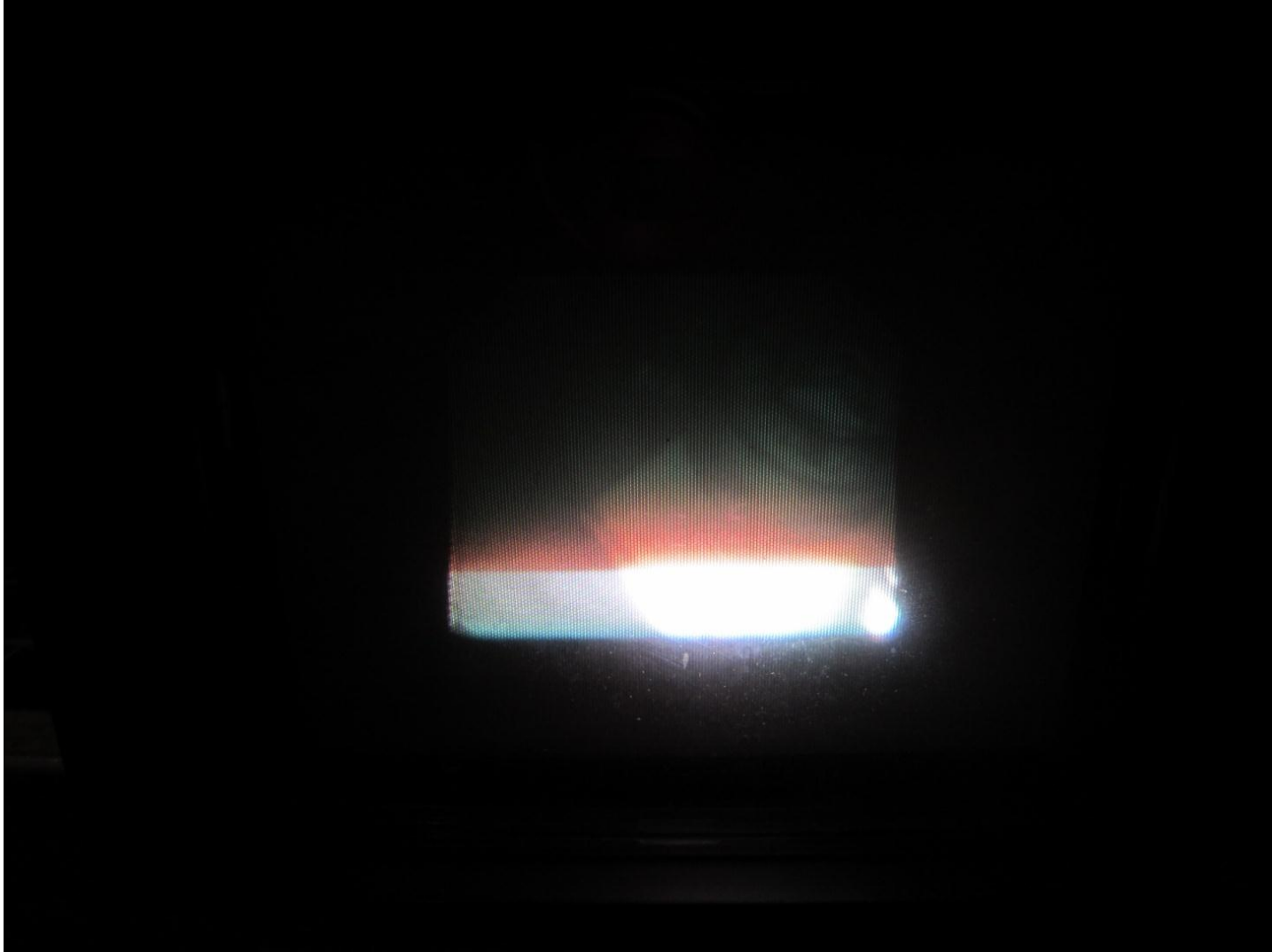
Observing the outside of vacuum pipe / dump core



Observing the outside of vacuum pipe / dump core



Observing the outside of vacuum pipe / dump core



Observing the inside of vacuum pipe



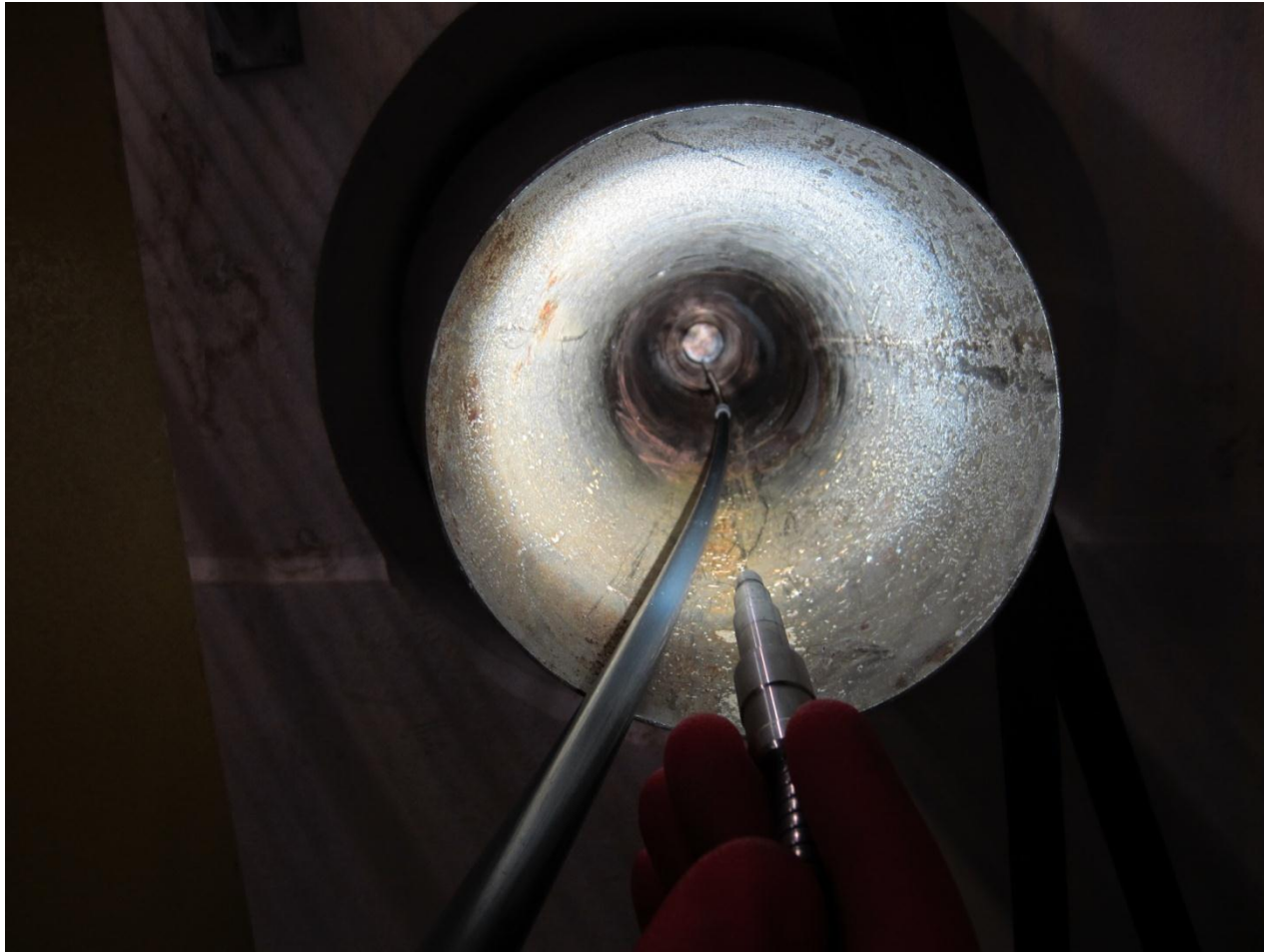
Observing the inside of vacuum pipe



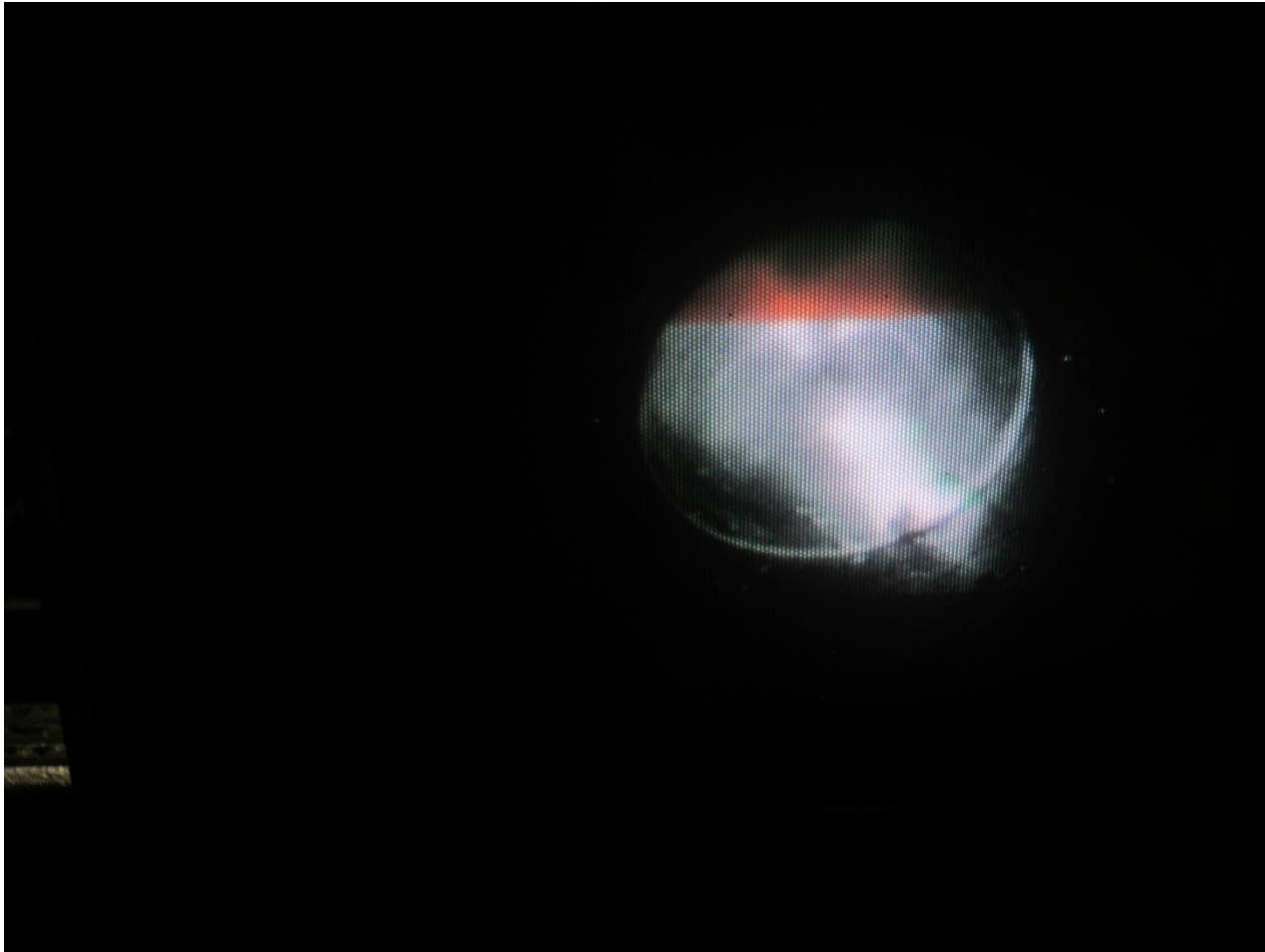
Observing the inside of vacuum pipe



Observing the inside of vacuum pipe

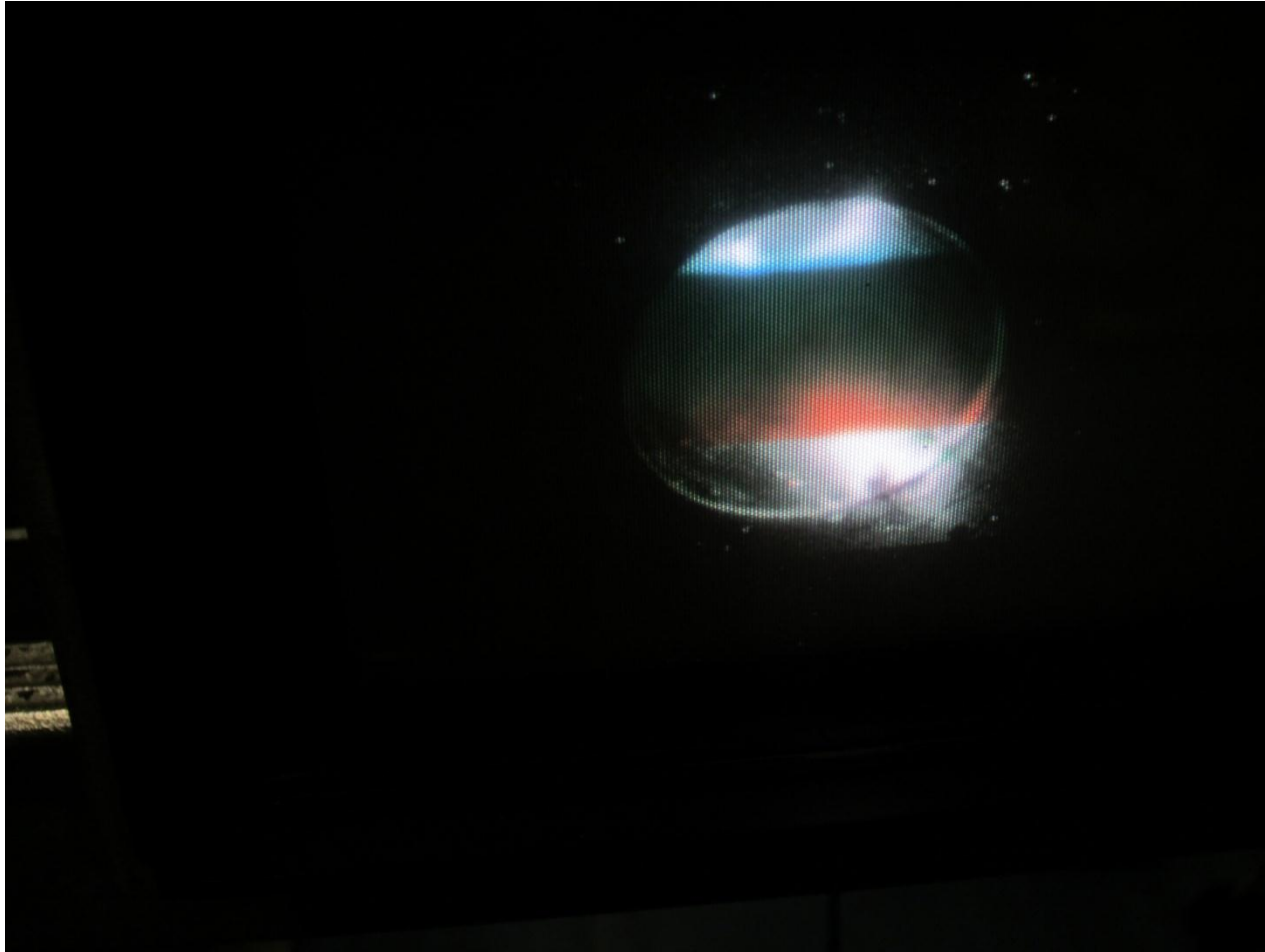


Observing the inside of vacuum pipe



By endoscope (picture of the screen)

Observing the inside of vacuum pipe



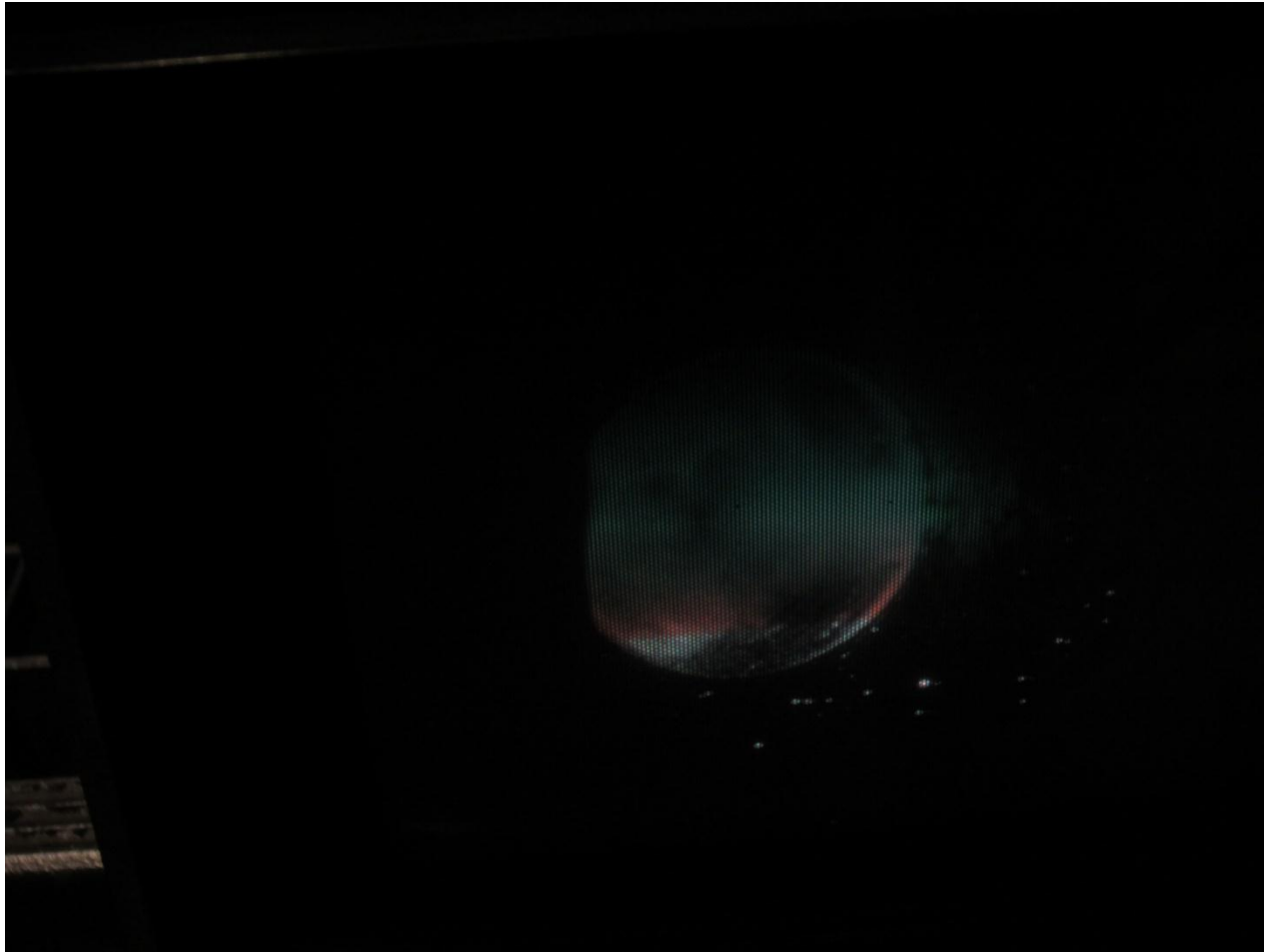
By endoscope (picture of the screen)

Observing the inside of vacuum pipe



By endoscope (picture of the screen)

Observing the inside of vacuum pipe



By endoscope (picture of the screen)

Observing the inside of vacuum pipe



By endoscope (picture of the screen)

Observing the inside of vacuum pipe



By endoscope (picture of the screen)

CONCLUSIONS

- A new endoscopy needs to be done, with better equipment
 - Probably during next technical in April
 - A new endoscopy has been ordered
 - For the future, it will important to control the position of the camera (to know exactly the direction we are pointing at)
- It is clear that the dump was assembled rotated 180° . The real pictures don't match the drawings. Is there a way to understand why?
- On the videos it is possible to see the border in between concrete blocks.