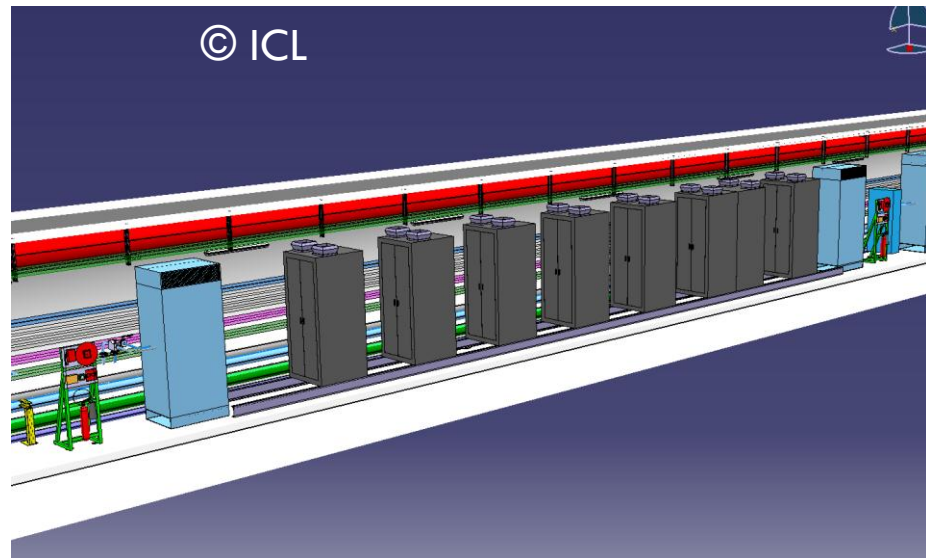
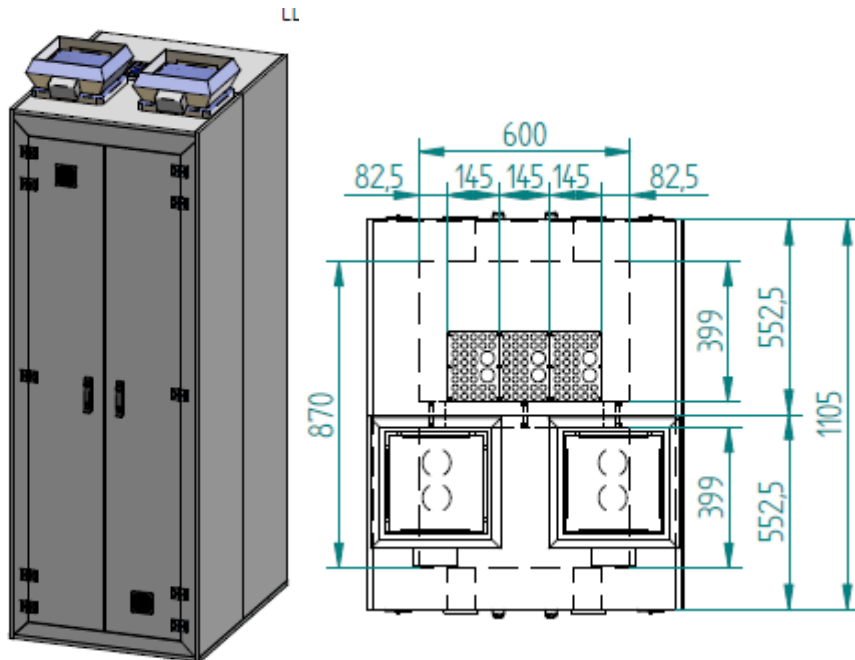


News from R2E – Safe Room

- Proposal of **local fire-resistant racks** agreed upon
- **Performed visit (HSE, EN-EL, R2E)** to clarify details
- **Solution already integrated** (thanks to EN/MEF, ICL)
- Follow-up required, but **no further show-stopper ahead**



Few Questions & Follow-Ups

- **Integration/Implementation:**
 - All points **towards final version** (ECRs done for all shielding, P5 in circulation, P1 /7 next); **planning tight – margins?**
- **Radiation Tests & Facilities:**
 - Besides regular test campaigns (CNRAD & PSI), first trial(s) with **external company** (TRAD) -> **not a 'blackbox'**
 - **PS-EA facility: implementation starting**
- **R2E related Radiation Levels and Failures:**
 - **Shielding for P1**, need to wait for good statistics
 - **First R2E related failures** currently analysed (PC, QPS,...)

Few Questions & Follow-Ups

- **Towards implementation phase (LS1):**
 - **EVM** (proposal from Sylvain) to be checked (would be for implementation part only)
- **Mini-Reviews to be scheduled**
 - **QPS** -> shall we go for beginning of September
 - **LS1 relocation & shielding** -> October?
 - **RadMon-V2** -> November?
 - **Power-Converter** -> early 2013
- **R2E Budget**
 - Expenditure for 2012 (see next slide)
 - Review of years to come (in view of long-term solution(s))

Few Questions & Follow-Ups

□ Radiation Levels

- **No (or limited) Scrubbing** what do we do for P4/P6, status of analysis
- Shielding wall in P1 -> height optimization (now also an impact from the earth-quake point-of-view)

□ Some more

- Purchase procedures/requirements (& delays)
- Destructive failure of aux-Alim (600A)
- Test candidate for SEL tests as a function of energy

Status of 2012 Budget

| | | | | 10/5/2012 | | |
|------------------------------------|-------|-------------|-------|-----------|-----------|----------|
| CURRENT YEAR (budget): | | 2012 | | Charged | Open Com. | Pipeline |
| R2E-General (incl. proj. cont) | 55271 | 700 | 55271 | 37.6 | 24.1 | 44.5 |
| R2E-Shielding | 55273 | 400 | 55273 | 160.0 | 77.8 | 188.0 |
| R2E-Relocation | 55274 | 1000 | 55274 | 178.3 | 242.6 | 0.0 |
| R2E Cabling | 55279 | 1200 | 55279 | 97.3 | 1044.7 | 48.6 |
| R2E-Monitoring | 55275 | 300 | 55275 | 67.4 | 52.0 | 52.4 |
| R2E Civil Engineering (Fell. Only) | 76378 | 75 | 76378 | 0.0 | 0.0 | 0.0 |
| R2E-FGClite | 99690 | 500 | 99690 | 3.8 | 2.5 | 0.9 |
| R2E-Rad-DIM | 99691 | 100 | 99691 | 0.0 | 0.0 | 0.0 |
| R2E-LHC120A-10V Rad-Tol | 99692 | 100 | 99692 | 0.0 | 0.0 | 0.0 |
| R2E-LH600A-10V Rad-Tol | 99693 | 300 | 99693 | 1.6 | 0.1 | 0.0 |
| R2E-LHC4-6-8kA-08V Rad-Tol | 99694 | 450 | 99694 | 7.9 | 7.5 | 0.2 |
| R2E-Rad-Tol Analogue Studies | 99695 | 200 | 99695 | 17.8 | 24.7 | 0.2 |
| R2E-Radiation-Testing | 55276 | 400 | 55276 | 172.6 | 80.4 | 4.7 |
| R2E-Long-Term-Mitigation | 55277 | 300 | 55277 | 0.0 | 0.0 | 0.0 |
| R2E-Facilities | 55278 | 300 | 55278 | 2.3 | 2.7 | 0.0 |
| Total: | | 6325 | | 746.7 | 1559.2 | 339.6 |