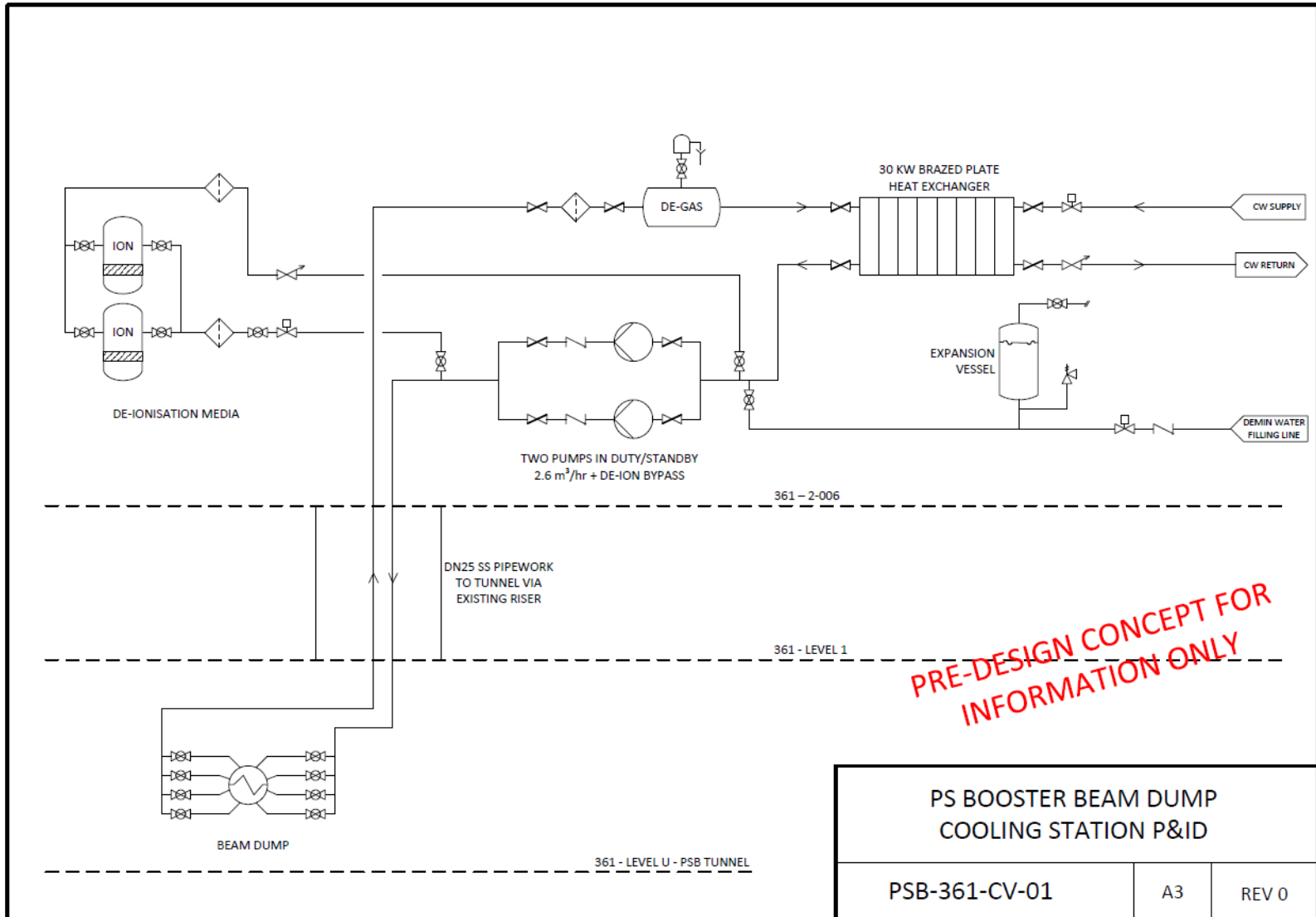




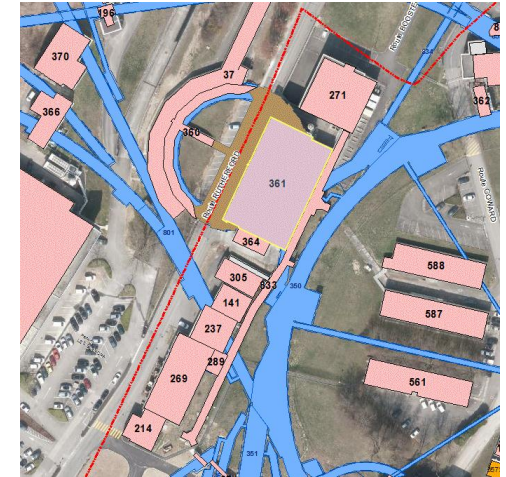
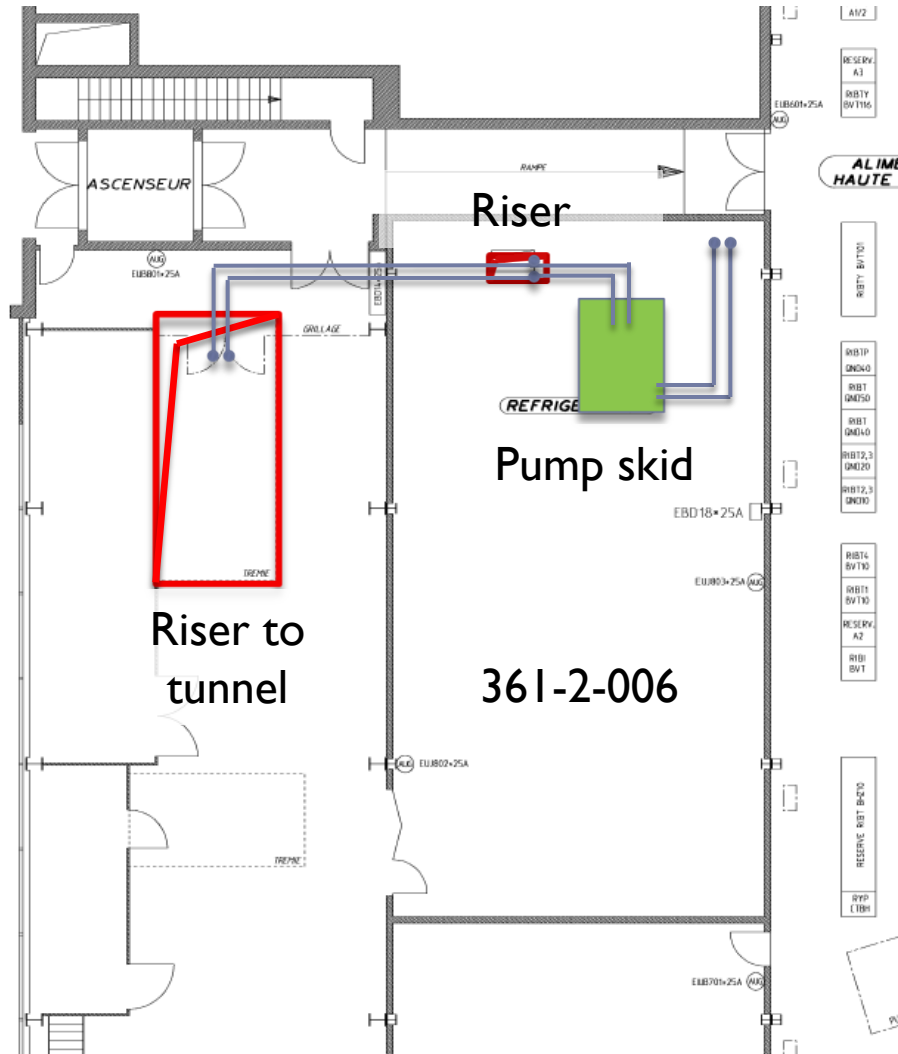
# PSB Beam Dump Cooling Station Concept Overview

Glen Mason EN-CV

- ▶ **Cooling Station**
  - ▶ Installed cooling capacity of 30 kW
  - ▶ Heat exchanger – single unit non-redundant
  - ▶ Pump/s - redundant pair
  - ▶ De-ionisation media cartridge/s
- ▶ **Pipework**
  - ▶ DN25 Stainless steel
- ▶ **36I-2-006 Location**
  - ▶ Access to equipment for operation and maintenance
  - ▶ Convenient to cooling water and CV power cubicle



Route RUTHERFORD



- ▶ Pump skid approx. 3m x 2m
- ▶ Cooling water connections within 361-2-006