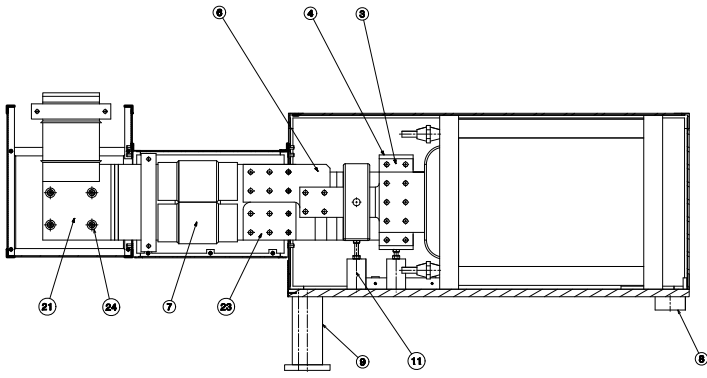
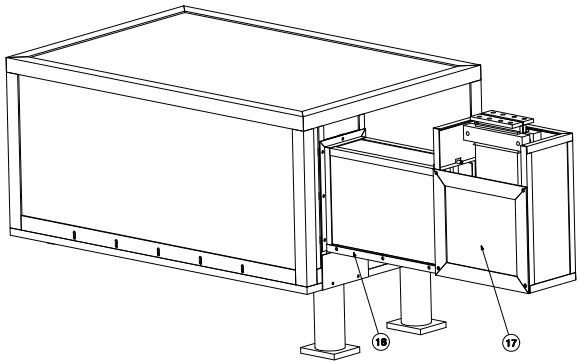
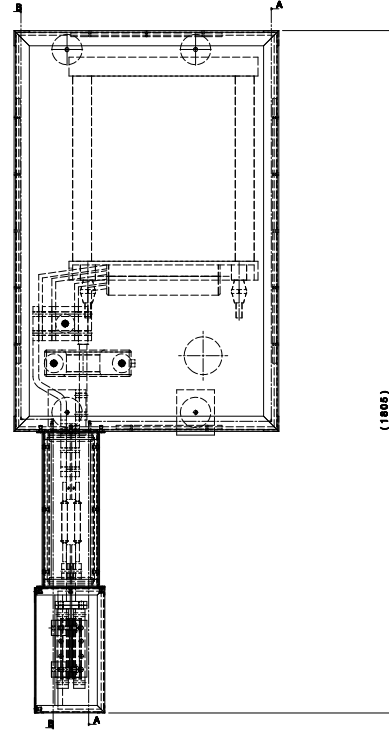
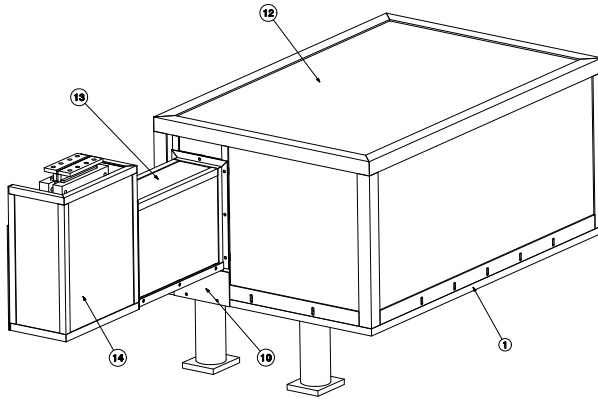
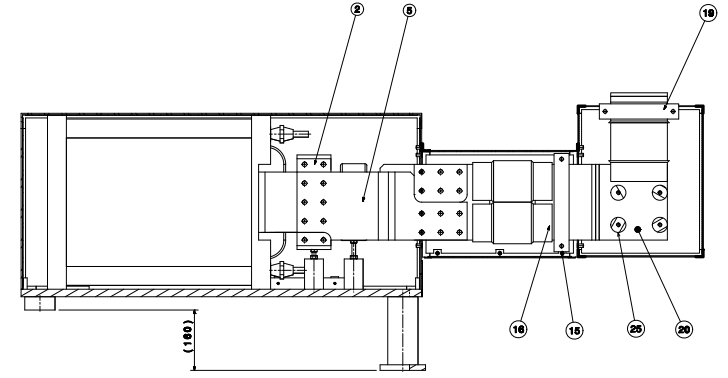
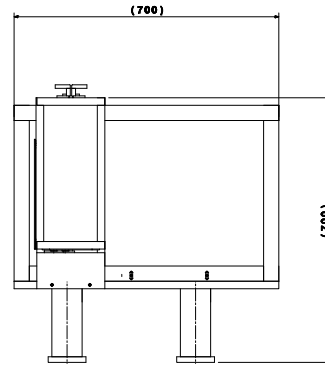


Coupe A-A



Coupe B-B



NO	DESCRIPTION	QTY	REF	UNIT	DATE	BY	CHKD	APPV
4	Insulating support Support Isolated	20			08.01.00			P10.B
4	ARMET PL. ARMED - ISOLATION BARR	24		PS_ARMED_0004				
1	ARMET PL. ARMED - ISOLATION BARR	24		PS_ARMED_0004				
1	ARMET PL. ARMED - ISOLATION BARR	24		PS_ARMED_0004				
1	ARMET PL. ARMED - ISOLATION BARR	24		PS_ARMED_0004				
1	ARMET PL. ARMED - ISOLATION BARR	24		PS_ARMED_0004				
1	ARMET PL. ARMED - ISOLATION BARR	24		PS_ARMED_0004				
1	ARMET PL. ARMED - ISOLATION BARR	24		PS_ARMED_0004				
1	ARMET PL. ARMED - ISOLATION BARR	24		PS_ARMED_0004				
1	ARMET PL. ARMED - ISOLATION BARR	24		PS_ARMED_0004				
1	ARMET PL. ARMED - ISOLATION BARR	24		PS_ARMED_0004				
1	ARMET PL. ARMED - ISOLATION BARR	24		PS_ARMED_0004				
1	ARMET PL. ARMED - ISOLATION BARR	24		PS_ARMED_0004				
1	ARMET PL. ARMED - ISOLATION BARR	24		PS_ARMED_0004				
1	ARMET PL. ARMED - ISOLATION BARR	24		PS_ARMED_0004				
1	ARMET PL. ARMED - ISOLATION BARR	24		PS_ARMED_0004				
1	ARMET PL. ARMED - ISOLATION BARR	24		PS_ARMED_0004				
1	ARMET PL. ARMED - ISOLATION BARR	24		PS_ARMED_0004				
1	ARMET PL. ARMED - ISOLATION BARR	24		PS_ARMED_0004				
1	ARMET PL. ARMED - ISOLATION BARR	24		PS_ARMED_0004				
1	ARMET PL. ARMED - ISOLATION BARR	24		PS_ARMED_0004				
1	ARMET PL. ARMED - ISOLATION BARR	24		PS_ARMED_0004				
1	ARMET PL. ARMED - ISOLATION BARR	24		PS_ARMED_0004				
1	ARMET PL. ARMED - ISOLATION BARR	24		PS_ARMED_0004				
1	ARMET PL. ARMED - ISOLATION BARR	24		PS_ARMED_0004				
1	ARMET PL. ARMED - ISOLATION BARR	24		PS_ARMED_0004				
1	ARMET PL. ARMED - ISOLATION BARR	24		PS_ARMED_0004				
1	ARMET PL. ARMED - ISOLATION BARR	24		PS_ARMED_0004				
1	ARMET PL. ARMED - ISOLATION BARR	24		PS_ARMED_0004				

REVISIONS

NO	DESCRIPTION	DATE
1	ISSUE	08.01.00

PROJECT: TRANSFO-STRIPLINE ASSEMBLY
 DRAWING: TRANSFO-STRIPLINE ASSEMBLY
 SHEET: 118
 TITLE: ENSEMBLE TRANSFO-STRIPLINE
 PROJECT ENGINEER: [Signature]
 EXECUTION: [Signature]
 PS MSMI 0051