

MICE CM35

Schedule session summary



- *Position at CM34*
- *Agenda for schedule session*
- *Summary*

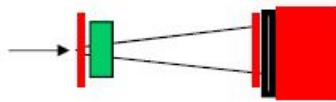
Andy Nichols, STFC, 14/2/13





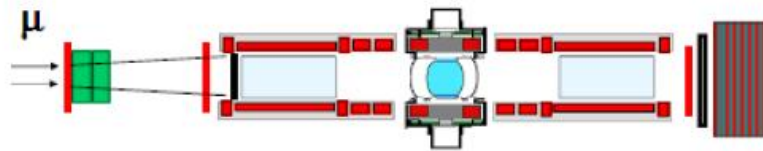
Provisional MICE SCHEDULE
update: October 2012

Run date:



STEP I

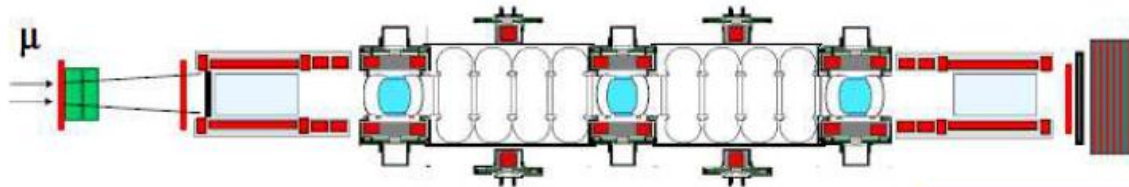
EMR run Q1-Q2 2013



STEP IV

Q2 2014
till
Q4 2015

Under construction:



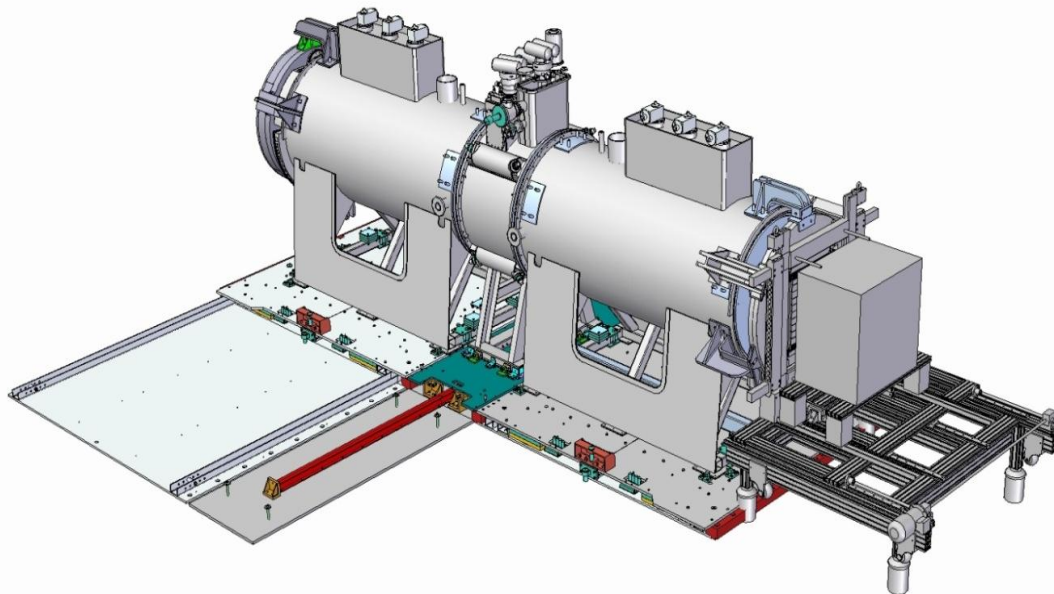
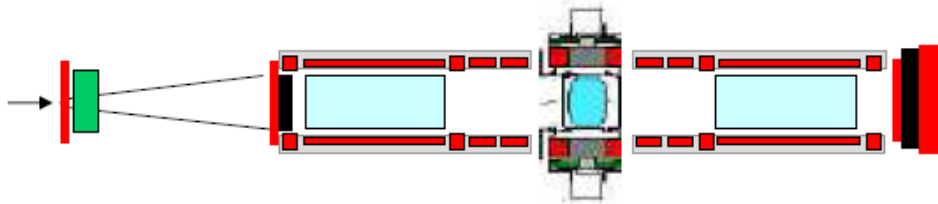
STEP VI

target date Q3 2018
Step V run possible Q3 2017

MICE CM34 Alain Blondel



STEP IV



Subsystem	Date
Spectrometer solenoid #1 + #2	Q3 2013
Fibre tracker #1 + #2	Ready
Focus coil #1	Nov '12
LH ₂ system A	TBC
Solid absorber(s)	TBC
Liquid absorber	Ready
Diffuser	Ready
Virostek plate & TOF cage assy	Ready
Substation upgrade	Ready
EMR installation	Feb'13
Radiation shutter	Ready
AFC Moving platform #1	Ready
SS platforms Installation	Ready
Magnetic shielding plan	TBC

Step IV ready Q2, 2014



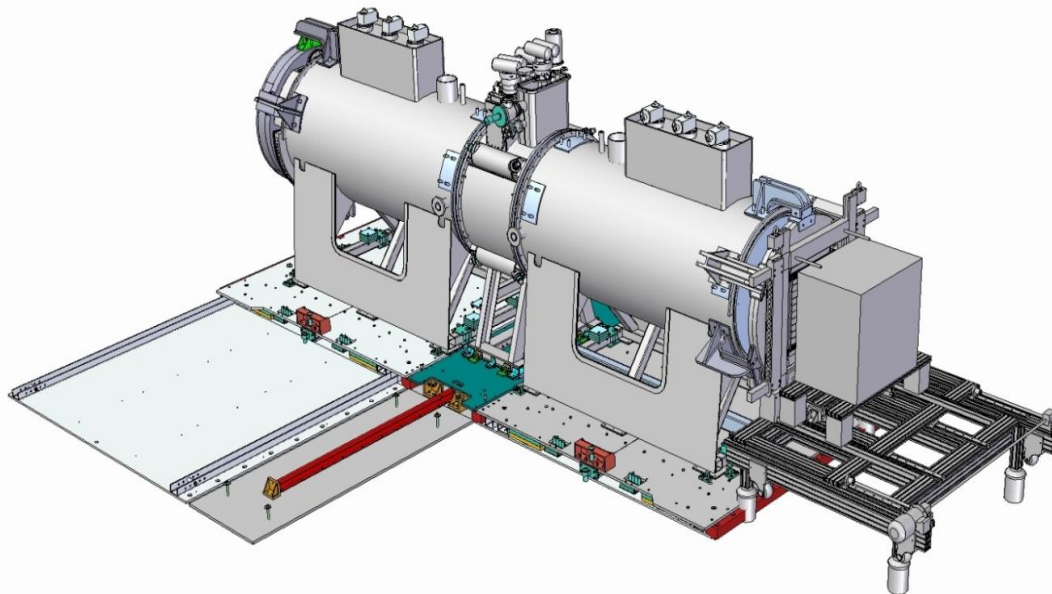
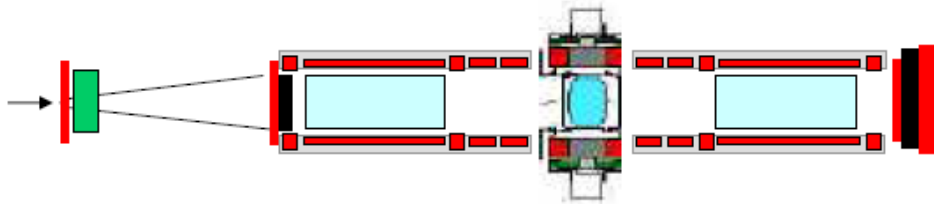
Agenda

- *Schedule report on each WP/subsystem – Level II Managers*
- *Project Installation schedule - Alan*
- *Definition of shielding mitigation project in the WBS*
- *Step V & Step VI plans*
- *Preparations for the MPB cost and schedule review*
- *AOB and open issues*

Summary

- *Very useful discussion yesterday, good engagement, thanks everybody*
- *Good news – our Step IV baseline is unchanged from CM34*
- *Realistic expectations and planning are still paying dividends*
- *Progress with the major deliverables is good*
 - *SS & AFC going pretty well*
 - *RF project now has full time Engineer; aim for TIARA milestone this year – though not a Step IV milestone*
 - *Work for Step IV hydrogen system understood with ISIS*
 - *Very detailed and realistic UK installation plan delivered by Alan*
- *Baseline magnetic field mitigation plan is maturing well*
 - *Very comprehensive simulation exercise underway*
 - *Welcome injection of manpower; responsibilities clearly defined*
 - *West wall compressor location and new rack room are major undertakings*
 - *Schedule details being started on this week*

STEP IV



Subsystem	Date
Spectrometer solenoid #1 + #2	Q3 2013
Fibre tracker #1 + #2	Ready
Focus coil #1	Mar'13
LH ₂ system A	Q2, 2014
Solid absorber(s)	TBC
Liquid absorber	Ready
Diffuser	Ready
Virostek plate & TOF cage assy	Ready
Substation upgrade	Ready
EMR installation	May'13
Radiation shutter	Ready
AFC Moving platform #1	Ready
SS platforms Installation	Ready
Magnetic shielding plan	TBC

Minor revisions only

Step IV ready Q2, 2014