

OSG

(overview services and client tools)

Rob Gardner

University of Chicago

US ATLAS Tier2/Tier3 Workshop

SLAC, November 28-30, 2007

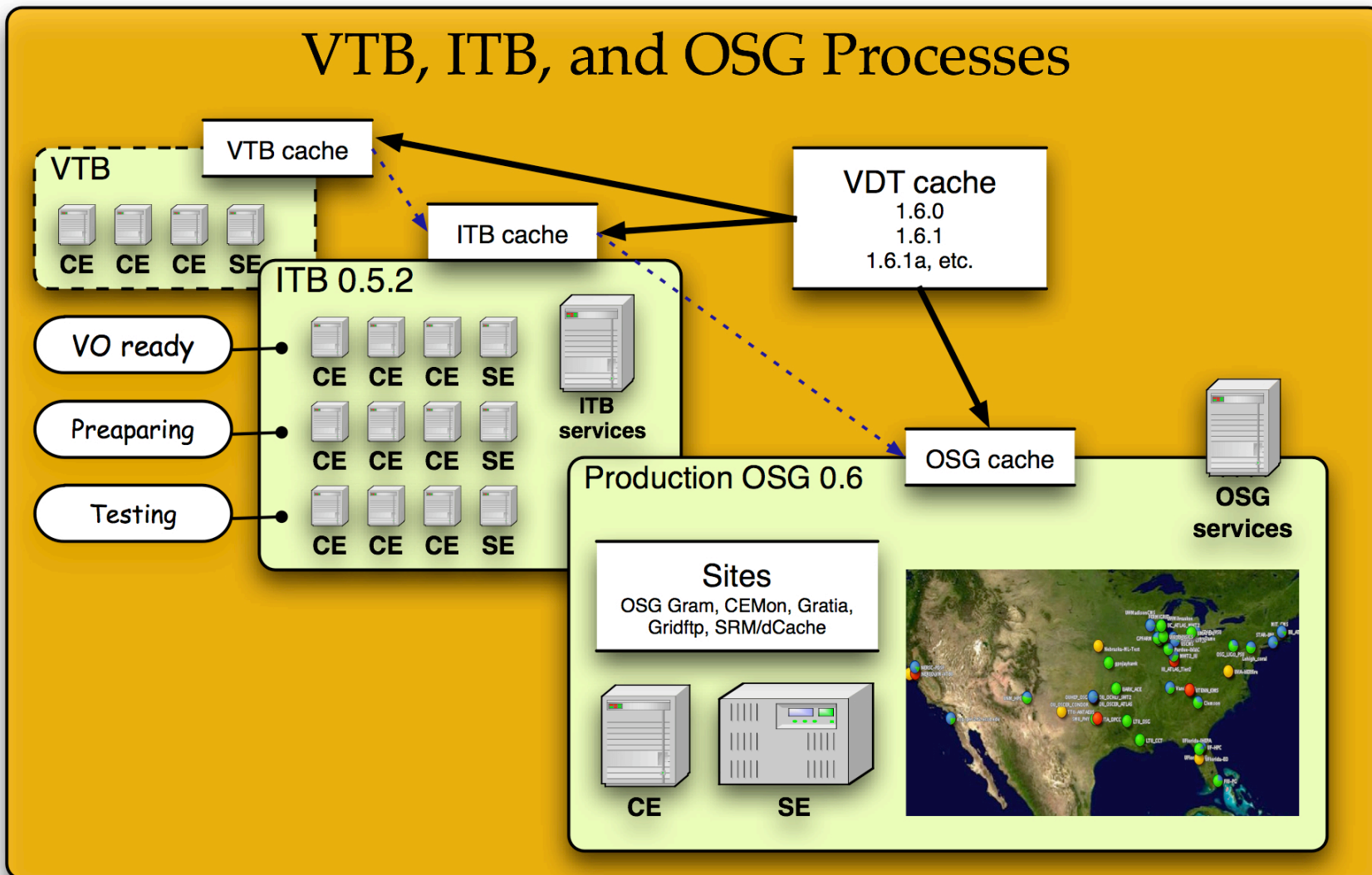


OSG Software and Grids

- There is an OSG Facility project run by Miron that organizes efforts
 - Software - the VDT
 - Operations
 - Security
 - Integration
 - Troubleshooting
 - Applications
- ATLAS participates in these in various ways
 - Integration: the ITB and VTB test beds
 - US ATLAS VO support center
 - RSV+Nagios monitoring
 - Application area for workload management systems
 - Requirements into OSG 1.0

OSG Grids

VTB, ITB, and OSG Processes



Validation Testbed

<https://twiki.grid.iu.edu/twiki/bin/view/Integration/ValidationTestbed>

- Motivation
 - create a limited, **small-scale** testbed that provides **rapid**, self-contained, limited installation, configuration, and validation of VDT and other services
 - configured as an actual grid with distributed sites & services
 - gives very quick feedback to VDT
 - prepares packages and configurations for the ITB
- Sites
 - UC, CIT, LBNL, FNAL, IU
- Components
 - SVN repository, <http://osg-vtb.uchicago.edu/>.
 - Pacman cache
 - Support and build tools; central logging host (syslog-ng)

Integration Testbed

- Motivation
 - Broader, larger scale testing, eg. more platforms, batch schedulers, site specifics...
 - VO validation: application integration platform; first tests of the OSG software stack
 - Operated: monitored, scrutinized: Persistent ITB (FermiGrid, BNL, UC)
- Components
 - SVN repository and Pacman cache, support and build tools
 - ITB release description
 - Site validation table: by-hand bookkeeping
 - Services: ITB instances of ReSS, BDII, Gratia, GIP validation
- Processes
 - Stakeholder requirements
 - New service integration (readiness plans)
 - Install tests, validation, documentation

Service validation on the ITB

Site Name	Contact	Site Verify	VORS	BDII	ReSS	Gratia
Instructions ★	-	ValidateSiteVerify	ValidateYourSystemInVORS	ValidateBDII	ValidateReSSAndCemon	ValidateGratia
Persistent ITB						
FNAL_FERMIGRID_ITB	SteveT	✓	✓	✓	✓	✓
BNL_ITB_Test1	Xin	✓	✓	✓	✓	✓
UC_ITB	Suchandra	✓	✓	✓	✓	✓
CIT_ITB_1	Michael	✓	✓	✓	✓	✓
TTU-TESTWULF	AlanS	✓	✓	✓	✓	✓
UCSDT2-ITB1	TerrenceMartin	✓	✓	✓	✓	✓
ITB Test Sites						
LBNL_VTB	Jeff	✓	✓	✓	✓	✓
OUHEP_ITB	Horst	✓	✓	✓	✓	✓
OSG_ITB_PSU	Murali	✓	✓	-	✓	✓
Purdue-ITB	Fengping	✓	✓	✓	✓	✓
IUPUI-ITB	RobQ	✓	✓	✓	✓	✓
LIGO-CIT-ITB	Charles	✓	✓	✓	✓	✓

- Validation task assigned for each service, validated by site
- Coverage pretty good for the standard CE services

Validation, continued

WS Gram	GUMS	Syslog-ng	RSV Probes	RSV Sys	VOMRS
ValidateGramWebServices	ValidateGUMS	ValSysLogNG	ValidateRSV-Probes	ValidateRSV-Infrastructure	ValidateVOMRS
✓	⚠	⚠	✓	✓	⚠
✓	✓	✓	✓	⚠	⚠
✓	✓	✓	✓	⚠	⚠
✓	✓	✓		⚠	⚠
✓	✓	✓	✓	✓	✓
-	✓	✓	✓	✓	⚠
✓	✓	✓	✓	✓	⚠
✓	⚠	✓	✓	✓	⚠
-	-	-	⚠	⚠	-
✓	✓	✓	✓	✓	
-	✓	✓	✓	✓	-
✓	✓	✓	✓	✓	⚠

- Pretty good coverage for these CE services too (VOMRS for a VOMS admin host, not tested on sites)

Validation, continued

VO Access	wLCG Interop	Clients	SQUID	gLexec
ValidateVoAccess	ValidateWlcgInteroperability	ValidateClients	ValidateSquid	ValidateGlexecAtSite
✓	✓	✓	⚠	
✓	✓	✓	⚠	✓
-	★			
-	✓		⚠	
✓	✓	✓	-	
✓	✓			
⚠	⚠	✓	⚠	⚠
-	✓		✓	⚠
-	★			
	✓			
-	✓			
✓	✓	✓	⚠	

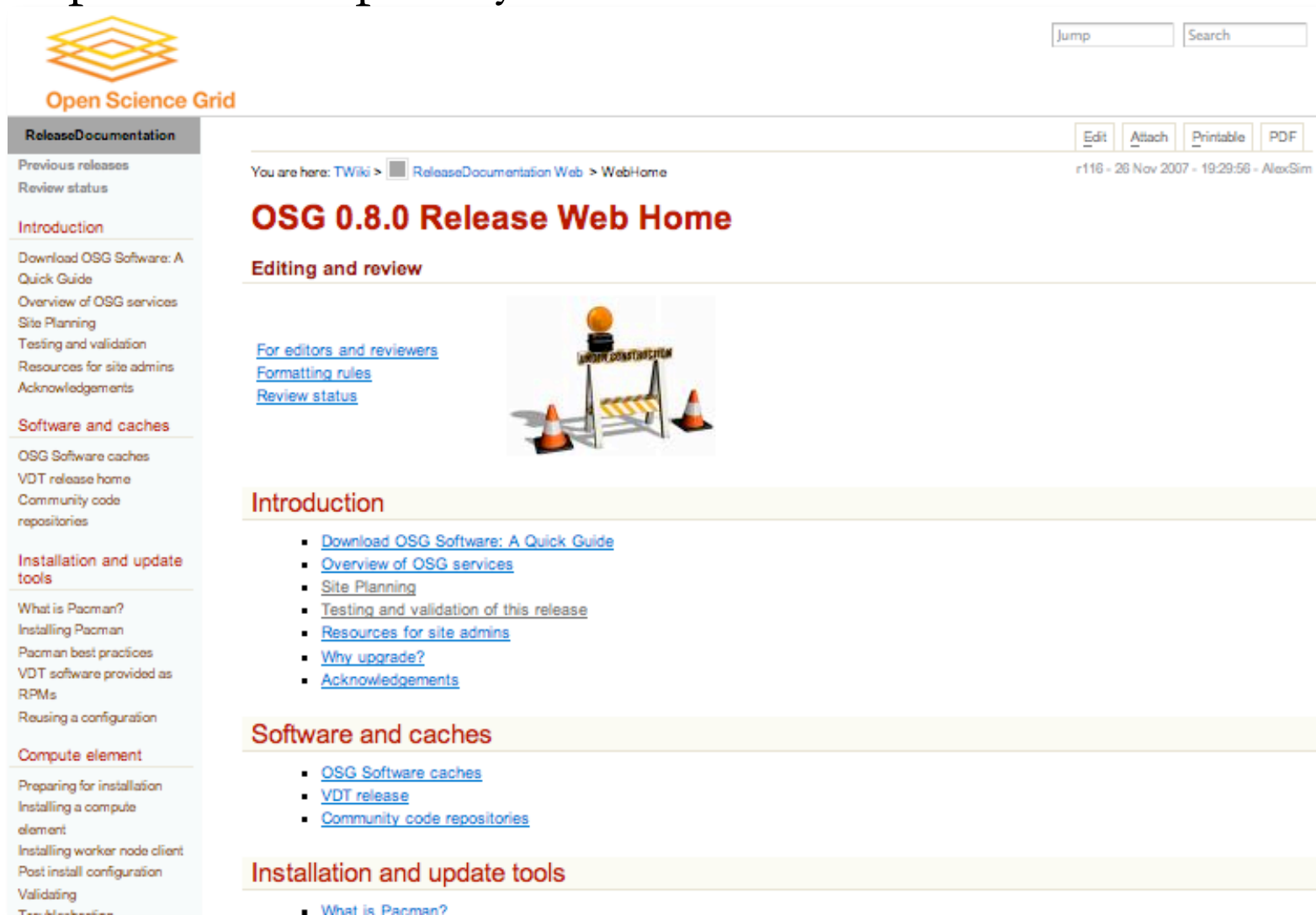
- Could have used more testing of gLexec and Squid

Deployment

- Site organization - components:
 - Compute element (CE)
 - Storage element (SE)
 - GUMS
- Configuration
 - `osg-configure.sh`
 - RSV configuration a separate step presently
- Execute local validation tests - `site-verify`
- Validate grid-level services: how does my CE appear in OSG services?
 - check VORS scans
 - check reporting of ClassAds in ReSS
 - check reporting of `ldiff` information in BDII
 - check accounting in Gratia

Release documentation

- Improved - hopefully! feedback welcomed



The screenshot shows the Open Science Grid Release Documentation web page. At the top left is the Open Science Grid logo. To the right are search and jump boxes. Below the logo is a sidebar menu with categories: ReleaseDocumentation, Previous releases, Review status, Introduction, Download OSG Software: A Quick Guide, Overview of OSG services, Site Planning, Testing and validation, Resources for site admins, Acknowledgements, Software and caches, Installation and update tools, Compute element, and Post install configuration. The main content area has a breadcrumb trail: You are here: TWiki > ReleaseDocumentation Web > WebHome. The title is "OSG 0.8.0 Release Web Home". Below the title is a section for "Editing and review" with links for "For editors and reviewers", "Formatting rules", and "Review status". There is an image of a construction barrier with a sign that says "LANSHY CONSTRUCTION". Below that is an "Introduction" section with a list of links: "Download OSG Software: A Quick Guide", "Overview of OSG services", "Site Planning", "Testing and validation of this release", "Resources for site admins", "Why upgrade?", and "Acknowledgements". The next section is "Software and caches" with links for "OSG Software caches", "VDT release", and "Community code repositories". The final section is "Installation and update tools" with a link for "What is Pacman?".





Status of documentation

- Followed the ATLAS workbook style

You are here: [TWiki](#) > [ReleaseDocumentation Web](#) > [ReviewStatus](#) r9 - 09 Nov 2007 - 16:31:41 - RobGardner

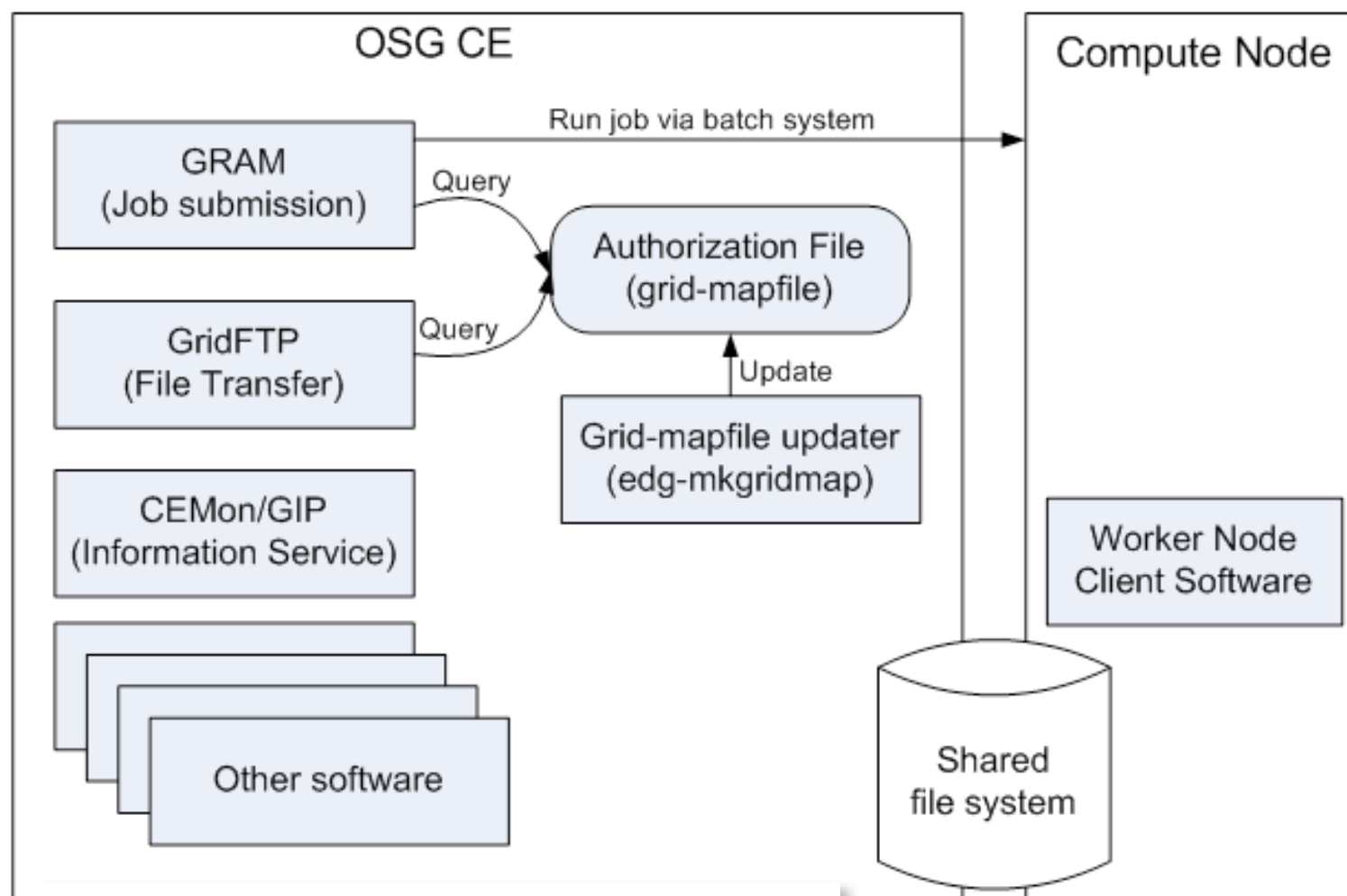
Review Status

This page gives an inventory of twiki topics in the OSG release documentation twiki, and the state of their completion and review. You may have problems viewing this page if your browser is Safari.

Topic	Responsible	Last Modified	Modifier	Last Reviewed	Reviewer	Status	Comment
CompatibilityModeAuthorization	JayPackard	28 Nov 2007 - 20:31	JayPackard			3 	not tested during review
FullPrivilegeAuthorization	JohnWeigand	28 Nov 2007 - 20:23	JayPackard	14 Nov 2007	AnneHeavey	3 	not tested during review
GetGridCertificates	RobQ	27 Nov 2007 - 16:11	RobGardner	27 Nov 2007	RobGardner	2 	Attempted to clean up
CertificatesOldWay	RobGardner	27 Nov 2007 - 16:09	RobGardner			3 	
SGEBatchSystemHints	StevenTimm	26 Nov 2007 - 23:39	JeffPorter			3 	
Bestman	AlexSim	26 Nov 2007 - 19:55	NehaSharma			2 	

OSG deployment options

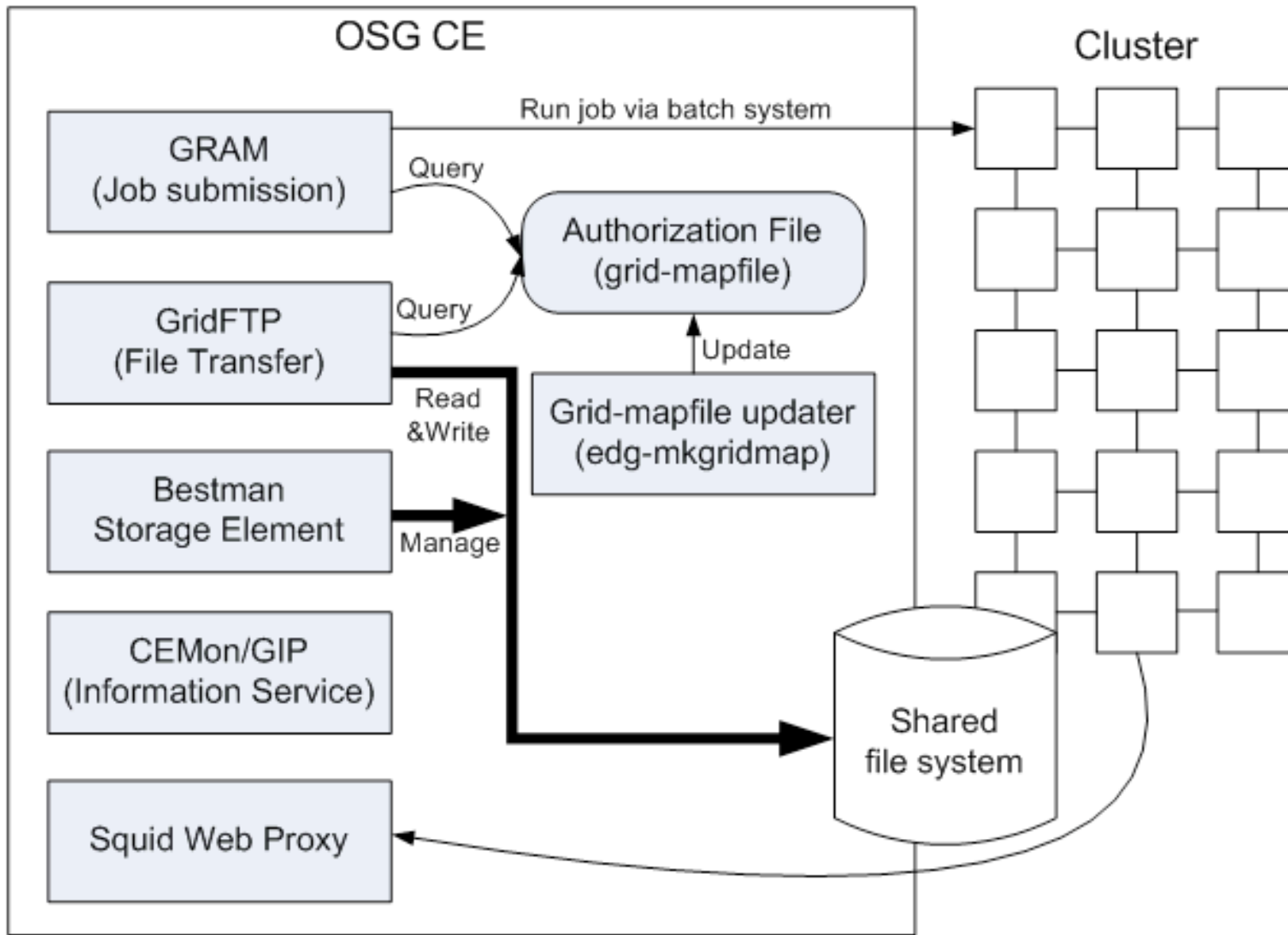
The simplest possible OSG compute cluster



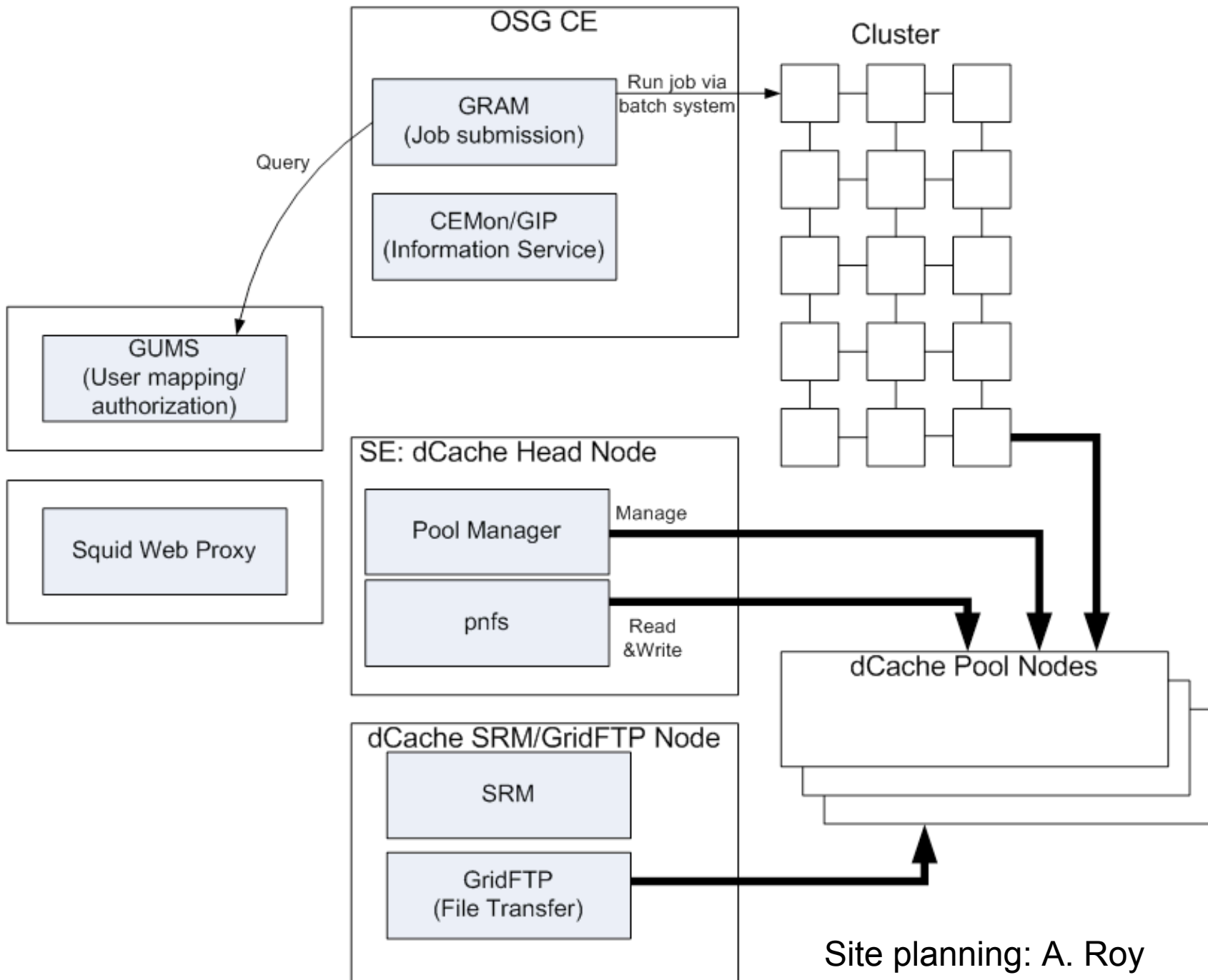
Not shown are RSV, Gratia services

Site planning: A. Roy

What a small site might look like



Site planning: A. Roy



Site planning: A. Roy

OSG compute element install

- Prepare

Consult: <https://twiki.grid.iu.edu/twiki/bin/view/ReleaseDocumentation/PreparingComputeElement>

```
$ export VDTSETUP_CONDOR_LOCATION=/opt/condor/  
$ export VDT_GUMS_HOST=uct2-grid4.uchicago.edu
```

- Install

Consult: <https://twiki.grid.iu.edu/twiki/bin/view/ReleaseDocumentation/ComputeElementInstall>. Will install in /opt/osg-0.8.0/. After will sym link /opt/osg to it.

```
$ pacman -get OSG:ce  
$ export VDTSETUP_CONDOR_CONFIG=/opt/condor/etc/condor_config  
$ PATH=$PATH:/opt/condor/bin/  
$ pacman -get OSG:Globus-Condor-Setup
```

- Managed Fork

```
./vdt/setup/configure_globus_gatekeeper --managed-fork y --server y
```

Suggested Condor configuration settings for managed fork

* Only allow 20 local universe jobs to execute concurrently:

```
START_LOCAL_UNIVERSE = TotalLocalJobsRunning < 20
```

* Set a hard limit on most jobs, but always let grid monitor jobs run (strongly recommended):

```
START_LOCAL_UNIVERSE = TotalLocalJobsRunning < 20 || GridMonitorJob =?= TRUE
```

CE, install (cont)

- Authorization mode: full privilege

Consult <https://twiki.grid.iu.edu/twiki/bin/view/ReleaseDocumentation/FullPrivilegeAuthorization>

- Edit `./post-install/prima-authz.conf` to point to `uct2-grid4`, our gums server.
- copy `prima-authz.conf` to `/etc/grid-security/`
- Same kind of thing for `gsi-authz.conf`

- `gums-client.properties`

- Check that `/opt/osg/gums/config/gums-client.properties` points to your gums server

- Testing `osg-user-vo-map.txt` file generation. This is test of the gums client and server.

```
$ source $VDT_LOCATION/setup.sh
```

```
$ cd $VDT_LOCATION/gums/scripts
```

```
$ ./gums-host generateGrid3UserVoMap --file grid-mapfile-test
```

```
#User-VO map
#---- accounts for vo: cernus atlasProd ----#
usatlas1 usatlas
#---- accounts for vo: cernus atlasSoft ----#
usatlas2 usatlas
#---- accounts for vo: cernus atlas ----#
usatlas3 usatlas
#---- accounts for vo: cernus atlas ----#
usatlas4 usatlas
```


CE install, cont

- Turn services on

\$ vdt-control --on

```
enabling cron service fetch-crl... ok
enabling cron service vdt-rotate-logs... ok
skipping init service 'gris' -- marked as disabled
enabling inetd service globus-gatekeeper... ok
enabling inetd service gsiftp... ok
enabling init service mysql... ok
enabling init service globus-ws... ok
skipping cron service 'edg-mkgridmap' -- marked as disabled
skipping cron service 'gums-host-cron' -- marked as disabled
skipping init service 'MLD' -- marked as disabled
skipping cron service 'vdt-update-certs' -- marked as disabled
enabling init service condor-devel... ok
enabling init service apache... ok
skipping init service 'osg-rsv' -- marked as disabled
enabling init service tomcat-5... ok
enabling init service syslog-ng... ok
enabling cron service gratia-condor... ok
```

configure-osg

- This is to setup the attributes to advertise to the information services in OSG
- Good reference
<https://twiki.grid.iu.edu/twiki/bin/view/ReleaseDocumentation/EnvironmentVariables>
- `./monitoring/configure-osg.sh`

RSV configuration

- See

<https://twiki.grid.iu.edu/twiki/bin/view/ReleaseDocumentation/InstallAndConfigureRSV>

- Shut everything off, then configure

```
# vdt-control --off
```

```
# $VDT_LOCATION/vdt/setup/configure_osg_rsv --user rwg --init --server  
y
```

```
# $VDT_LOCATION/vdt/setup/configure_osg_rsv --uri tier2-  
osg.uchicago.edu --proxy /tmp/x509up_u1063 --probes --gratia --verbose
```

```
# $VDT_LOCATION/vdt/setup/configure_osg_rsv --setup-for-apache
```

Pages can be viewed at <http://HOSTNAME:8080/rsv>

```
# $VDT_LOCATION/vdt/setup/configure_gratia --probe metric --report-to  
rsv.grid.iu.edu:8880
```

```
# vdt-control --on
```

RSV site monitor example



Open Science Grid

OSG RSV Status - Main 11-29-2007 14:23:11

UC_ATLAS_MWT2

[Archived HTML pages](#)

tier2-osg.uchicago.edu

Probe	Metric	Last Executed	Status
classad-valid-probe	org.osg.general.classad-valid	2007-11-29T18:46:00Z	CRITICAL
osg-version-probe	org.osg.general.osg-version	2007-11-29T20:22:00Z	OK
gridftp-simple-probe	org.osg.globus.gridftp-simple	2007-11-29T18:08:01Z	OK
gram-authentication-probe	org.osg.globus.gram-authentication	2007-11-29T18:31:00Z	OK
jobmanagers-status-probe	org.osg.batch.jobmanager-fork-status	2007-11-29T20:21:00Z	OK
jobmanagers-status-probe	org.osg.batch.jobmanager-managedfork-status	2007-11-29T18:24:01Z	OK
osg-directories-probe	org.osg.general.osg-directories-CE-permissions	2007-11-29T18:37:00Z	OK
jobmanagers-status-probe	org.osg.batch.jobmanager-condor-status	2007-11-29T18:44:00Z	OK
certificate-expiry-local-probe	org.osg.local.httpcert-expiry	2007-11-29T18:06:06Z	OK
certificate-expiry-local-probe	org.osg.local.containercert-expiry	2007-11-29T18:29:00Z	OK
certificate-expiry-local-probe	org.osg.local.hostcert-expiry	2007-11-29T18:43:00Z	OK
cacert-expiry-local-probe	org.osg.local.cacerts-expiry	2007-11-29T18:58:00Z	OK
jobmanagers-available-probe	org.osg.batch.jobmanagers-available	2007-11-29T18:59:00Z	OK
cacert-crl-expiry-probe	org.osg.certificates.cacert-expiry	2007-11-29T19:48:01Z	OK
cacert-crl-expiry-probe	org.osg.certificates.crl-expiry	2007-11-29T08:31:00Z	OK



Open Science Grid

Select which VOs to support

- Edit `osg-supported-vo-list.txt` to include which VOs to support
- Minimum:

```
# List of VOs this site claims to  
support
```

```
MIS
```

```
ATLAS
```

```
OSG
```

wn-client

- Must be available to the worker node (either local install or NFS-exported, eg.)

```
rwg@uct2-c001:~$ source /share/wn-client/setup.sh
```

```
rwg@uct2-c001:~$ vdt-version
```

You have installed a subset of VDT version 1.8.1c:

CA Certificates v32 (includes IGTF 1.17 CAs)

cURL 7.16.2

dccp (dCache client) 1.7.0-39

Fetch CRL 2.6.2

Globus Toolkit, pre web-services, client 4.0.5

Globus Toolkit, web-services, client 4.0.5

GPT 3.2

Java 5 SDK 1.5.0_13

Logrotate 3.7

MyProxy 3.9

Pegasus Worker Package 2.0.1

RLS, client 3.0.041021

SRM V1 Client 1.25

SRM V2 Client 2.2.0.4

UberFTP 1.24

Wget 1.10.2

Groups, roles and unix accounts

- The typical ATLAS site has been setup to recognize production and software roles, the usatlas group, and everyone else
 - usatlas1: production
 - usatlas2: software (highest priority for software installs)
 - usatlas3: usatlas group (US ATLAS users)
 - usatlas4: all other ATLAS users
- To properly implement requires setup of a GUMS server, and the “Full Privilege” security configuration of the OSG compute element

OSG Client - install

- `$ pacman -get OSG:client`
- Can be done as non-root - users can have their private client tools, Condor-G job manager, etc
- Common thing is to install a client at a site, NSF-export to places where users work - separate from the CE node
- Options for this mode, install as root:
 - make Condor job manager available on server restarts
 - Job manager shared among users as a grid job submits
 - Run CRL updater - keep these up-to-date automatically
 - Log rotation

OSG Client - contents

```
$ source /share/osg-client/setup.sh
$ vdt-version
You have installed a subset of VDT version 1.8.1e:
  CA Certificates v33 (includes IGTF 1.18 CAs)
  Condor/Condor-G 6.8.6
  cURL 7.16.2
  Fetch CRL 2.6.2
  Globus Toolkit, pre web-services, client 4.0.5
  Globus Toolkit, web-services, client 4.0.5
  GPT 3.2
  GSI-Enabled OpenSSH 4.0
  Java 5 SDK 1.5.0_13
  KX509 20031111
  lcg-info 1.11.0-1
  lcg-infosites 2.6-2
  Logrotate 3.7
  MyProxy 3.9
  Pegasus 2.0.1
  PPDG Cert Scripts 2.5
  pyGlobus gt4.0.1-1.13
  PyGlobus URL Copy 1.1.2.11
  RLS, client 3.0.041021
  SRM V1 Client 1.25
  SRM V2 Client 2.2.0.4
  UberFTP 1.24
  Wget 1.10.2
```

Aside: VO stuff

- <https://www.racf.bnl.gov/docs/howto/grid/voatlas>
- <https://lcg-voms.cern.ch:8443/vo/atlas/vomrs>

ATLAS VO Registration

Member Info

Select output fields:

First name Last name Office location Organizational id Phone number
Comments Institute Member DN Member CA Member E-mail
Status Status Reason Roles Rights Rep DN
Rep CA Aliases Groups [Roles] VO Exp Date Inst Exp Date
AUPs Vsn

Results

First name	Last name	Rights	Groups [Roles]	VO Exp Date
Robert	Gardner	full	/atlas[Approved] /atlas/lcg1[Approved] /atlas/usatlas[Approved] /atlas/usatlas/Role=production[Approved] /atlas/usatlas/Role=software[Approved]	2008-2-21

You are logged in as /DC=org/DC=doegrids/OU=People/CN=Robert W. Gardner Jr. 669916
/DC=org/DC=DOEGrids/OU=Certificate Authorities/CN=DOEGrids CA 1

John Hover, Jay Packard handle all US requests

cert-scripts

- Best way to wrangle user and host certs!
- Comes with OSG client (also in CE package)
 - cert-check-time - checks lifetime of certificates and revocation lists
 - cert-gridadmin - immediate issuance of service certificates for authorized requestors
 - cert-lookup - queries directory based on DN of certificates
 - **cert-request** - generates and submits a certificate signing request
 - **cert-retrieve** - retrieves signed certificate previously requested
 - **cert-renew** - renews existing person certificate (not host or service)
 - multi-cert-gridadmin - handle many service certificate requests at once; generate CSRs, submit to Grid Admin interface, etc.
- See further
 - <https://twiki.grid.iu.edu/twiki/bin/view/ReleaseDocumentation/CertScripts>
 - <https://twiki.grid.iu.edu/twiki/bin/view/ReleaseDocumentation/GetGridCertificates>

voms-proxy-init

- For extended attributes - production and software users. Example - for the “software” role

```
$ voms-proxy-init --voms atlas:/Role=software
```

```
Cannot find file or dir:
```

```
/home/condor/execute/dir_11128/userdir/glite/etc/vomses
```

```
Enter GRID pass phrase:
```

```
Your identity: /DC=org/DC=doegrids/OU=People/CN=Robert W. Gardner  
Jr. 669916
```

```
Cannot find file or dir:
```

```
/home/condor/execute/dir_11128/userdir/glite/etc/vomses
```

```
Creating temporary proxy ..... Done
```

```
Contacting vo.racf.bnl.gov:15003
```

```
[/DC=org/DC=doegrids/OU=Services/CN=vo.racf.bnl.gov] "atlas" Done
```

```
Creating proxy ..... Done
```

```
Your proxy is valid until Thu Nov 29 10:46:29 2007
```

warning: lots of annoying warning messages

Inspect attributes and test mapping

```
$ voms-proxy-info -all
```

```
WARNING: Unable to verify signature! Server certificate possibly not installed.
```

```
Error: Cannot find certificate of AC issuer for vo atlas
```

```
subject  : /DC=org/DC=doeagrids/OU=People/CN=Robert W. Gardner Jr. 669916/CN=proxy
```

```
issuer   : /DC=org/DC=doeagrids/OU=People/CN=Robert W. Gardner Jr. 669916
```

```
identity : /DC=org/DC=doeagrids/OU=People/CN=Robert W. Gardner Jr. 669916
```

```
type     : proxy
```

```
strength : 512 bits
```

```
path     : /tmp/x509up_u20001
```

```
timeleft : 11:59:36
```

```
=== VO atlas extension information ===
```

```
VO       : atlas
```

```
subject  : /DC=org/DC=doeagrids/OU=People/CN=Robert W. Gardner Jr. 669916
```

```
issuer   : /DC=org/DC=doeagrids/OU=Services/CN=vo.racf.bnl.gov
```

```
attribute : /atlas/usatlas/Role=software/Capability=NULL
```

```
attribute : /atlas/Role=NULL/Capability=NULL
```

```
attribute : /atlas/usatlas/Role=NULL/Capability=NULL
```

```
attribute : /atlas/lcg1/Role=NULL/Capability=NULL
```

```
timeleft : 11:59:35
```

```
$ globus-job-run gk01.swt2.uta.edu /usr/bin/whoami
```

```
usatlas2
```

ClassAd based information service

- **\$ condor_status -pool osg-ress-1.fnal.gov -format '%s\n' GlueSiteName | uniq**

```
TTU-ANTAEUS
UTA_DPCC
DukeAtlas_T3
LTU_OSG
MIT_CMS
LCG-CBPF
CIT_CMS_T2
CIT_CMS_DISUN
OSG_INSTALL_TEST_2
GLOW
GLOW-CMS
USCMS-FNAL-WC1-CE
USCMS-FNAL-WC1-CE2
NERSC-Davinci
FNAL_FERMIGRID
FNAL_GPFARM
MCGILL_HEP
AGLT2
IPAS_OSG
UTA_SWT2
gpnjayhawk
OU_OSCER_ATLAS
OSG_LIGO_PSU
BNL_ATLAS_1
BNL_ATLAS_2
GROW-PROD
Boulder_HEP
UFlorida-IHEPA
Purdue-Caesar
Purdue-Lear
CornellLEPP
LTU_CCT
IU_OSG
NYSGRID-CORNELL-NYS1
WISC-OSG-EDU
UCSDT2
UCSDT2-B
OSG_LIGO_MIT
ORNL_NSTG
NWICG_NotreDame
Purdue-RCAC
UTENN_CMS
ASGC_OSG
PROD_SLAC
OUHEP_OSG
NERSC-PDSF
UFlorida-PG
cinvestav
STAR-WSU
UCLA_Saxon_Tier3
SPRACE
STAR-BNL
OU_OSCER_CONDOR
UVA-sunfire
OU_OCHEP_SWT2
UC_ATLAS_MWT2
UCR-HEP
NYSGRID-CCR-U2
MWT2_UC
UmissHEP
Vanderbilt
```

ldap based info service (BDII)

- **\$ lcg-info --list-ce --bdii is-itb.grid.iu.edu:2170 --vo atlas**

- CE: cithep201.ultralight.org:2119/jobmanager-condor-atlas
- CE: cms-xen1.fnal.gov:2119/jobmanager-condor-atlas
- CE: cms-xen9.fnal.gov:2119/jobmanager-condor-atlas
- CE: cmsitbsrv01.fnal.gov:2119/jobmanager-condor-atlas
- CE: cmssrv09.fnal.gov:2119/jobmanager-condor-atlas
- CE: gridtest01.racf.bnl.gov:2119/jobmanager-condor-atlas
- CE: osg-gw-3.t2.ucsd.edu:2119/jobmanager-condor-atlas
- CE: osg-itb.ligo.caltech.edu:2119/jobmanager-condor-atlas
- CE: osg-vtb.ligo.caltech.edu:2119/jobmanager-condor-atlas
- CE: osgitb1.nhn.ou.edu:2119/jobmanager-condor-atlas
- CE: tb10.grid.iu.edu:2119/jobmanager-condor-atlas
- CE: testwulf.hpcc.ttu.edu:2119/jobmanager-pbs-TIGRE
- CE: testwulf.hpcc.ttu.edu:2119/jobmanager-pbs-long
- CE: testwulf.hpcc.ttu.edu:2119/jobmanager-pbs-priority_queue
- CE: testwulf.hpcc.ttu.edu:2119/jobmanager-pbs-small
- CE: testwulf.hpcc.ttu.edu:2119/jobmanager-pbs-verylong
- CE: uct3-edge7.uchicago.edu:2119/jobmanager-pbs-int_exec
- CE: uct3-edge7.uchicago.edu:2119/jobmanager-pbs-int_exec
- CE: uct3-edge7.uchicago.edu:2119/jobmanager-pbs-test_exec
- CE: uct3-edge7.uchicago.edu:2119/jobmanager-pbs-uct3_exec

ldap based info service (BDII)

<http://is.grid.iu.edu/cgi-bin/status.cgi>

```
$ ldapsearch -x -l 60 -b mds-vo-name=BNL_ATLAS_1,mds-vo-name=local,o=grid -h  
is.grid.iu.edu -p 2170
```

(edited output... more follows, depending on configure-osg, osg-attributes.conf, gip-attributes.conf)

```
# BNL_ATLAS_1, local, grid  
dn: mds-vo-name=BNL_ATLAS_1,mds-vo-name=local,o=grid  
objectClass: GlueTop  
# gridgk01.racf.bnl.gov, BNL_ATLAS_1, local, grid  
dn: GlueSiteUniqueID=gridgk01.racf.bnl.gov,mds-vo-name=BNL_ATLAS_1,mds-vo-name  
=local,o=grid  
GlueSiteUniqueID: gridgk01.racf.bnl.gov  
GlueSiteName: BNL_ATLAS_1  
GlueSiteDescription: OSG Site  
GlueSiteEmailContact: mailto:xzhao@bnl.gov  
GlueSiteLocation: Long Island,NY ,USA  
GlueSiteLatitude: 40.366  
GlueSiteLongitude: -72.388  
GlueSiteWeb: https://www.racf.bnl.gov/Facility/LinuxFarm/CondorPolicy_BNL_USAT  
LAS.html  
GlueSiteSponsor: usatlas:100  
GlueSchemaVersionMajor: 1  
GlueSchemaVersionMinor: 3
```


OSG further information

- <https://twiki.grid.iu.edu/twiki/bin/view/ReleaseDocumentation/SiteAdminResources>

You are here: TWiki > ReleaseDocumentation Web > SiteAdminResources

r9 - 20 Nov 2007 - 21:03:23 - RobGardner

Site Admin Resources

- ↓ [OSG troubleshooters](#)
- ↓ [OSG sites coordination group](#)
- ↓ [Important mail lists](#)

Troubleshooting campaign link:
http://www.grid.iu.edu/cgi-bin/contact_080.pl

OSG troubleshooters

With this release of OSG there is a campaign to help sites install OSG services.

- See: **OSG CAMPAIGN:** [HELP INSTALLING OR UPGRADING TO PRODUCTION RELEASE 0.8.0](#)

OSG sites coordination group

The Sites Coordination group meets (via telecon) on a monthly basis, Thursdays, 2:30pm Central. Announcements will be made to osg-sites@opensciencegrid.org. There are additionally face to face meetings of site administrators, roughly quarterly.

Important mail lists

Here is a [Complete List of OSG Mailing Lists](#) along with directions for subscribing. Archives from these lists are available [here](#).

List Name	Information	Audience
OSG-SITES	http://listserv.fnal.gov/archives/osg-sites.html	Site administrator discussions and exchange
OSG-GENERAL	osg-general@opensciencegrid.org	Community support for OSG
OSGNEWS	osgnews@opensciencegrid.org	Newsletter distribution list
OSG-OPERATIONS	osg-operations@opensciencegrid.org	Operations activities
OSG-OPS-STATUS	osg-ops-status@opensciencegrid.org	Daily grid status reports

OSG-STORAGE
osg-storage@opensciencegrid.org

