

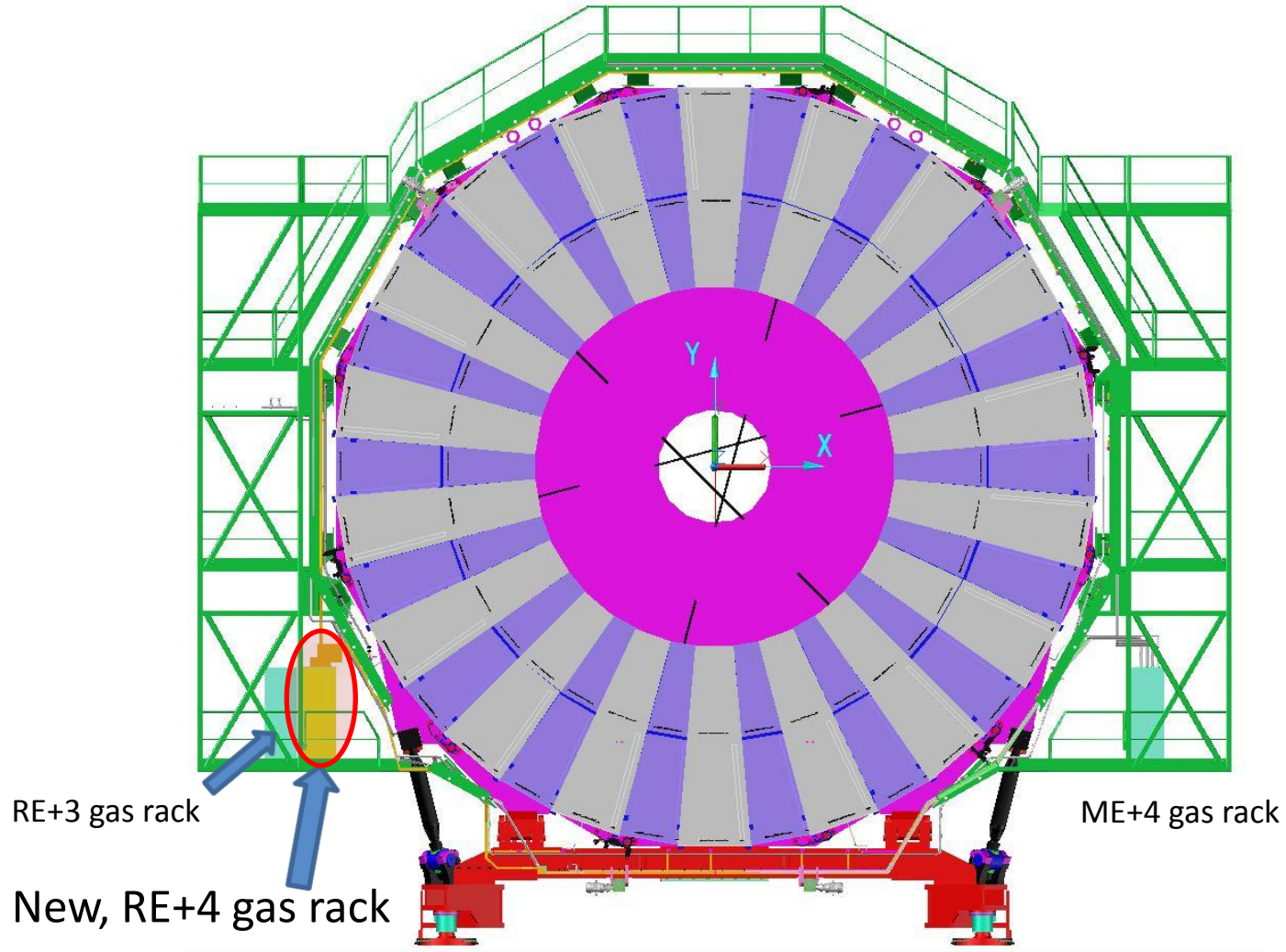
RE+4 gas tubes routing

Proposal 01

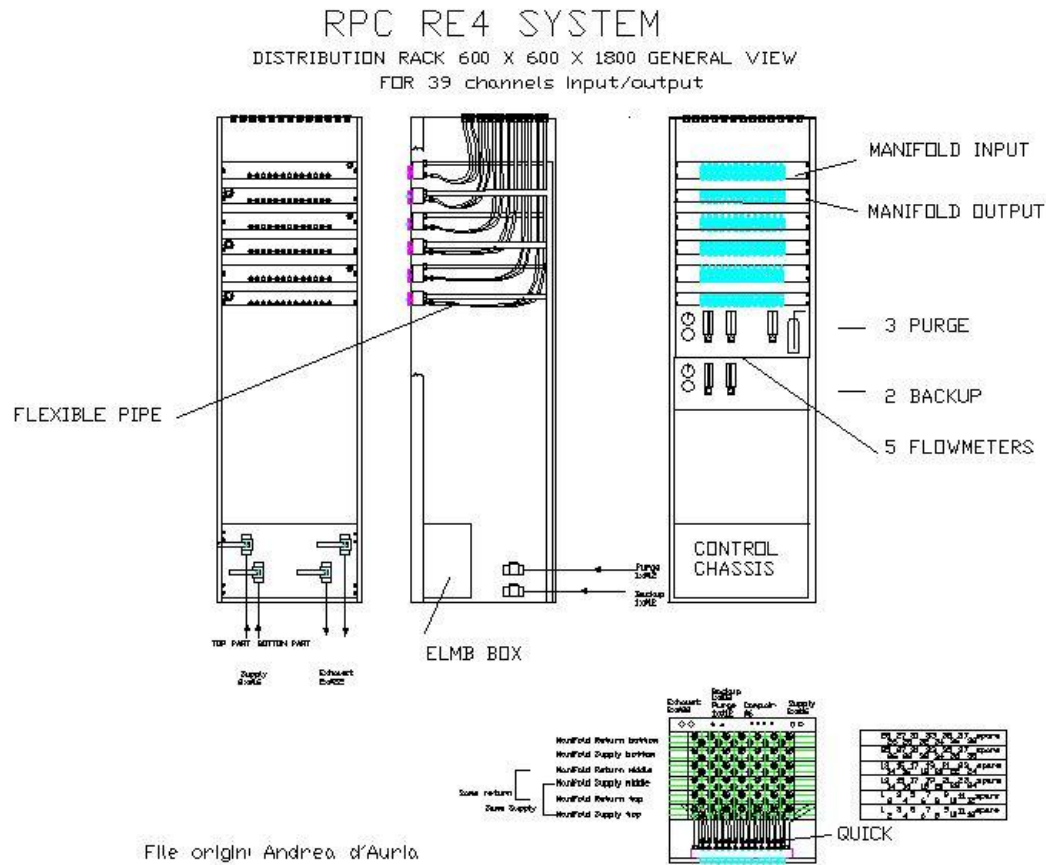
3 December 2012

Wojciech Szczęsny

YE+3. View toward IP.

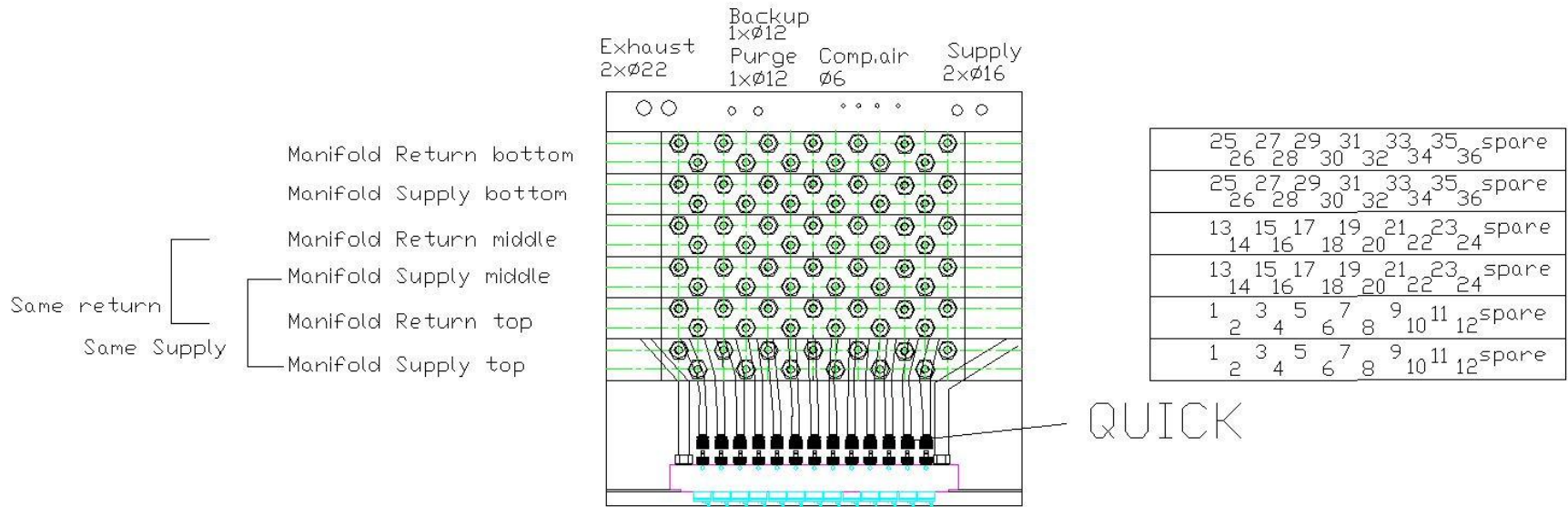


RE+4 gas rack



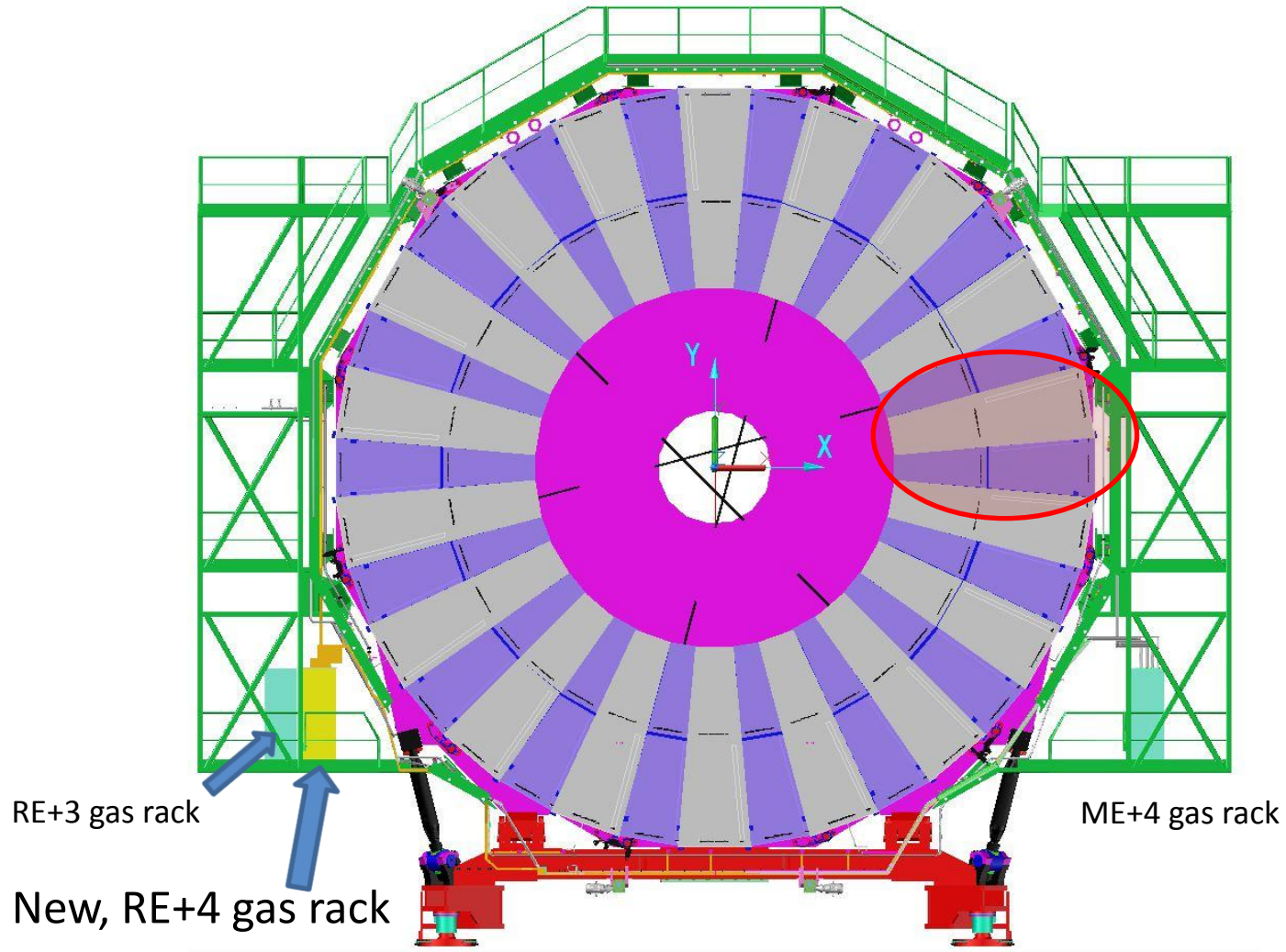
File origin: Andrea d'Auria

RE+4 gas rack

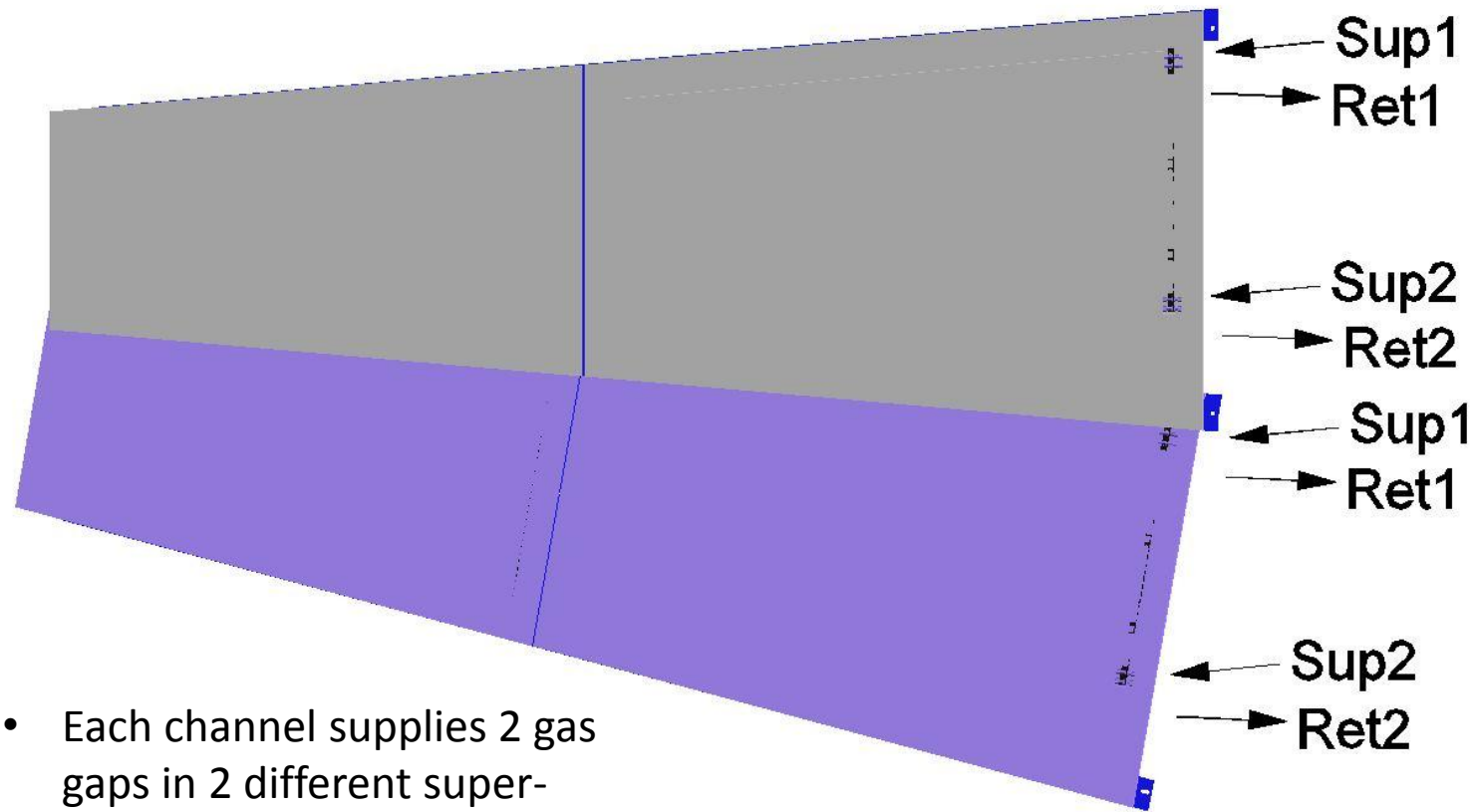


- 39 channels on the gas rack (supply and return)
- We use 36 channels → 72 x 8mm OD copper tubes

YE+3. View toward IP.

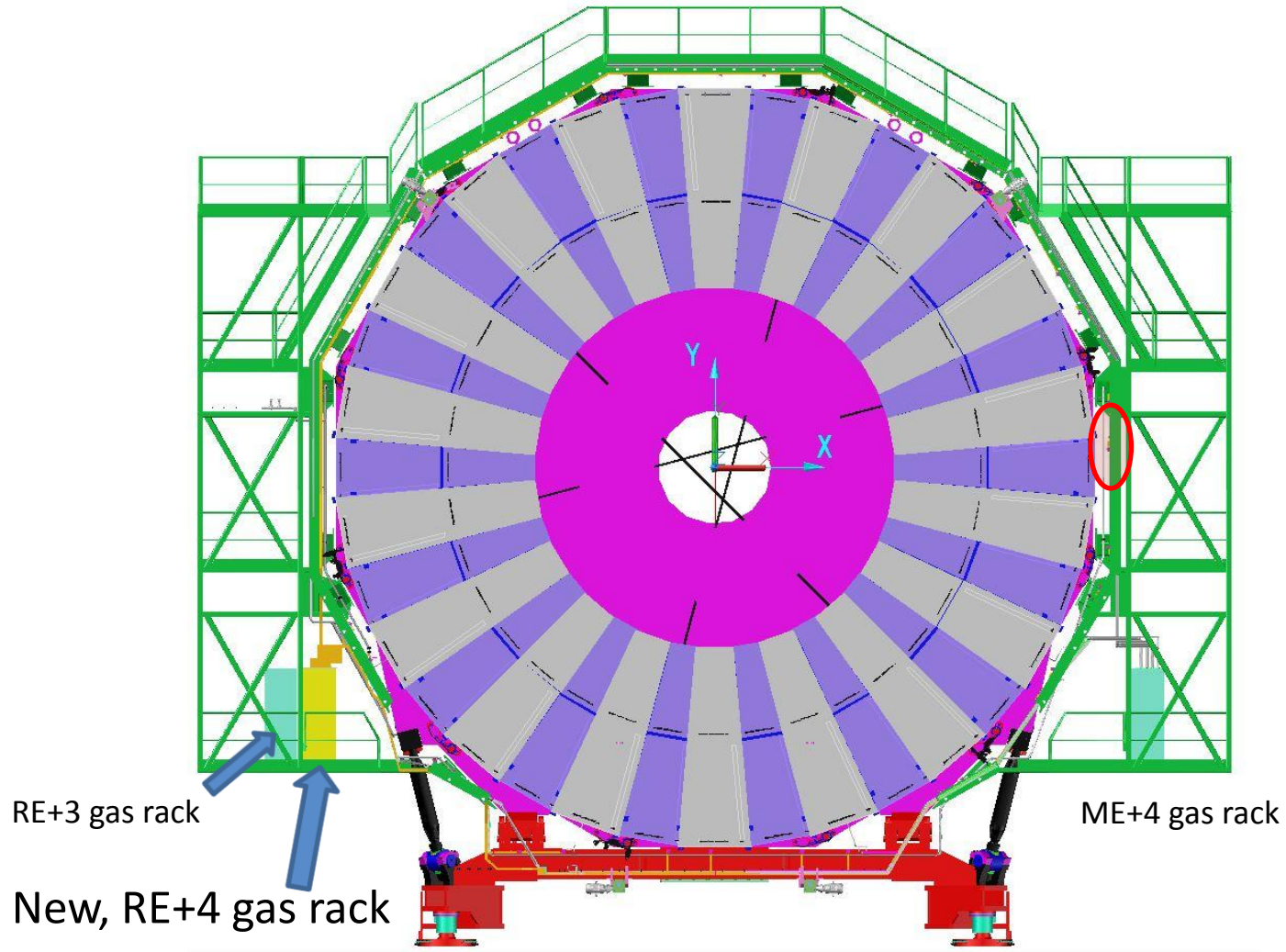


RE+4 super-modules



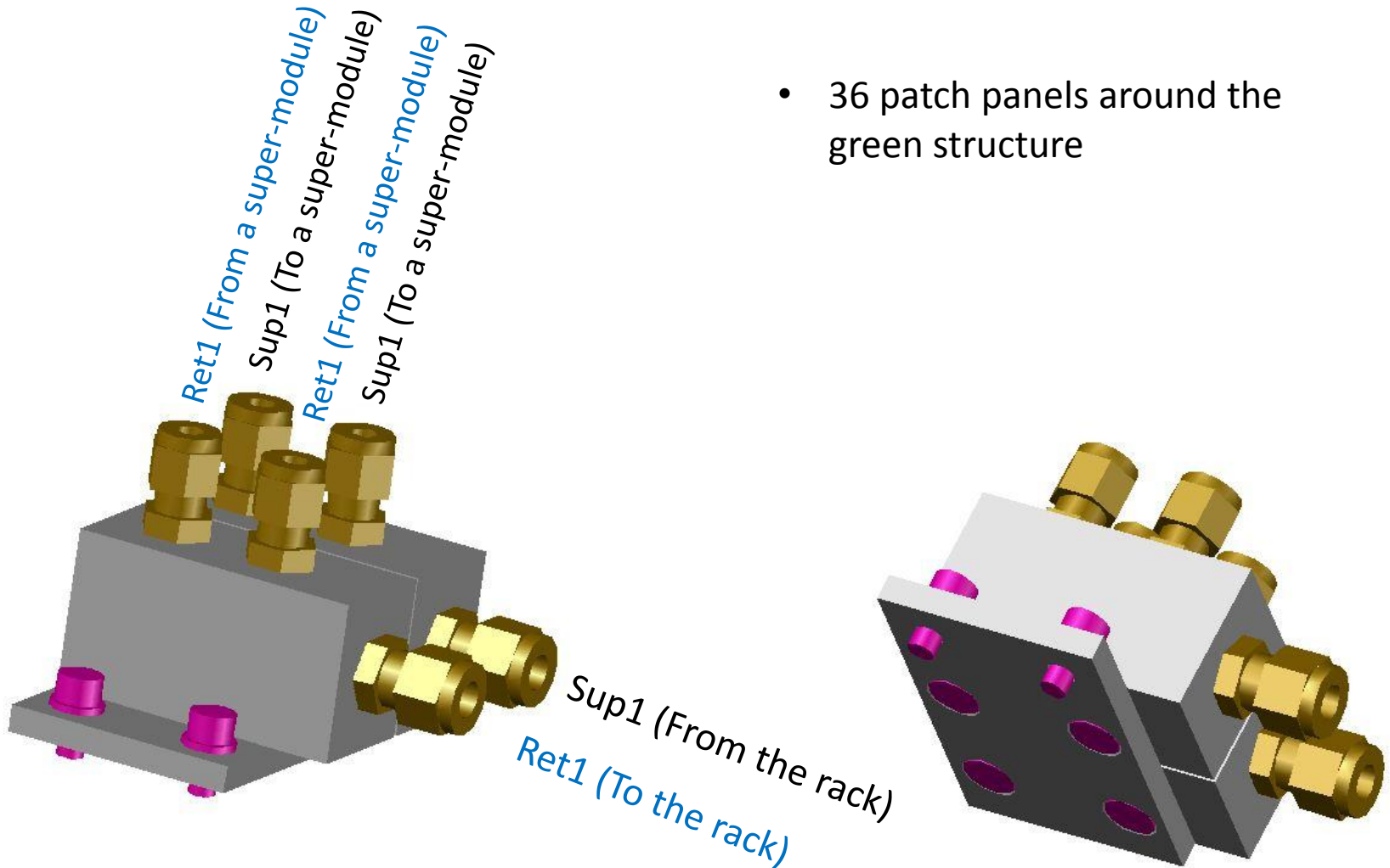
- Each channel supplies 2 gas gaps in 2 different super-modules

YE+3. View toward IP.

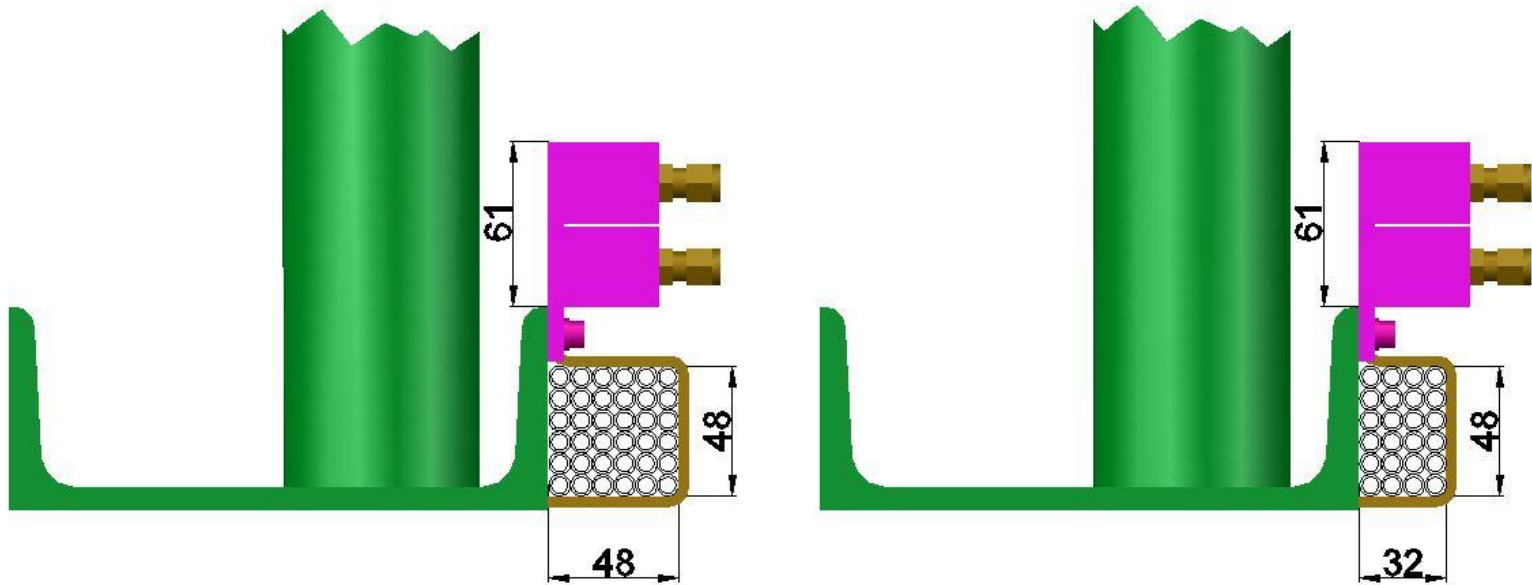


RE+4 gas patch panel

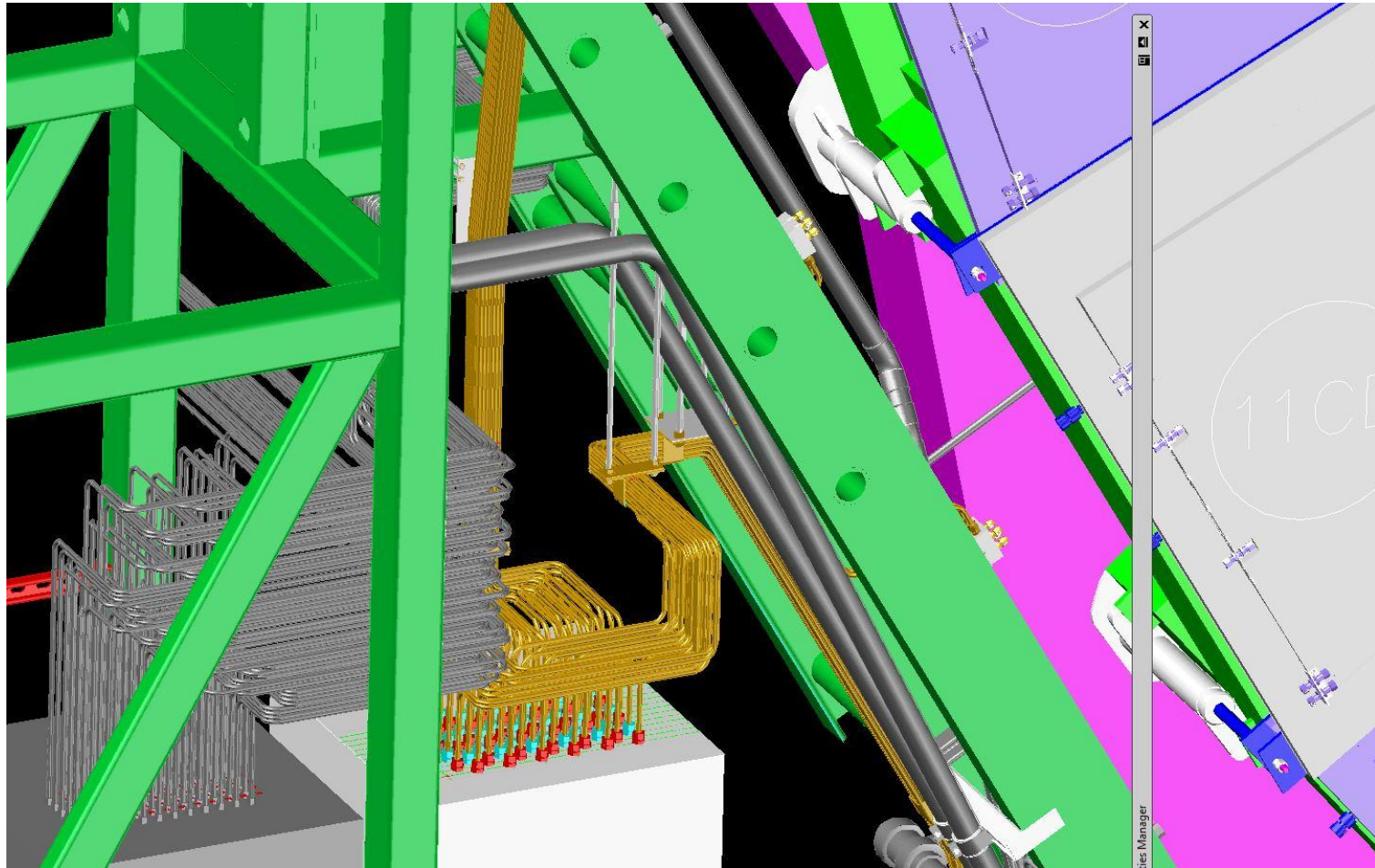
- 36 patch panels around the green structure



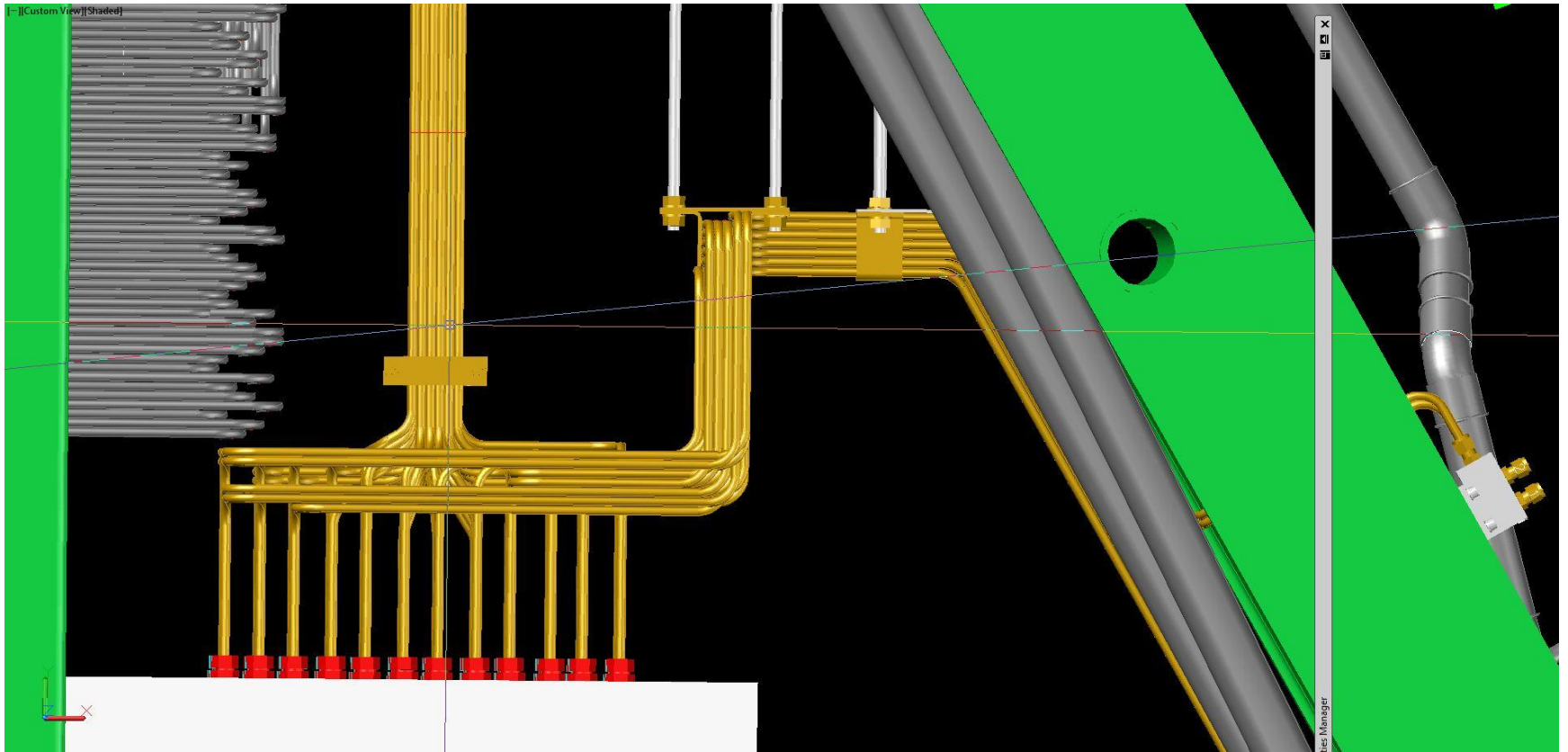
RE+4 gas tubes routing



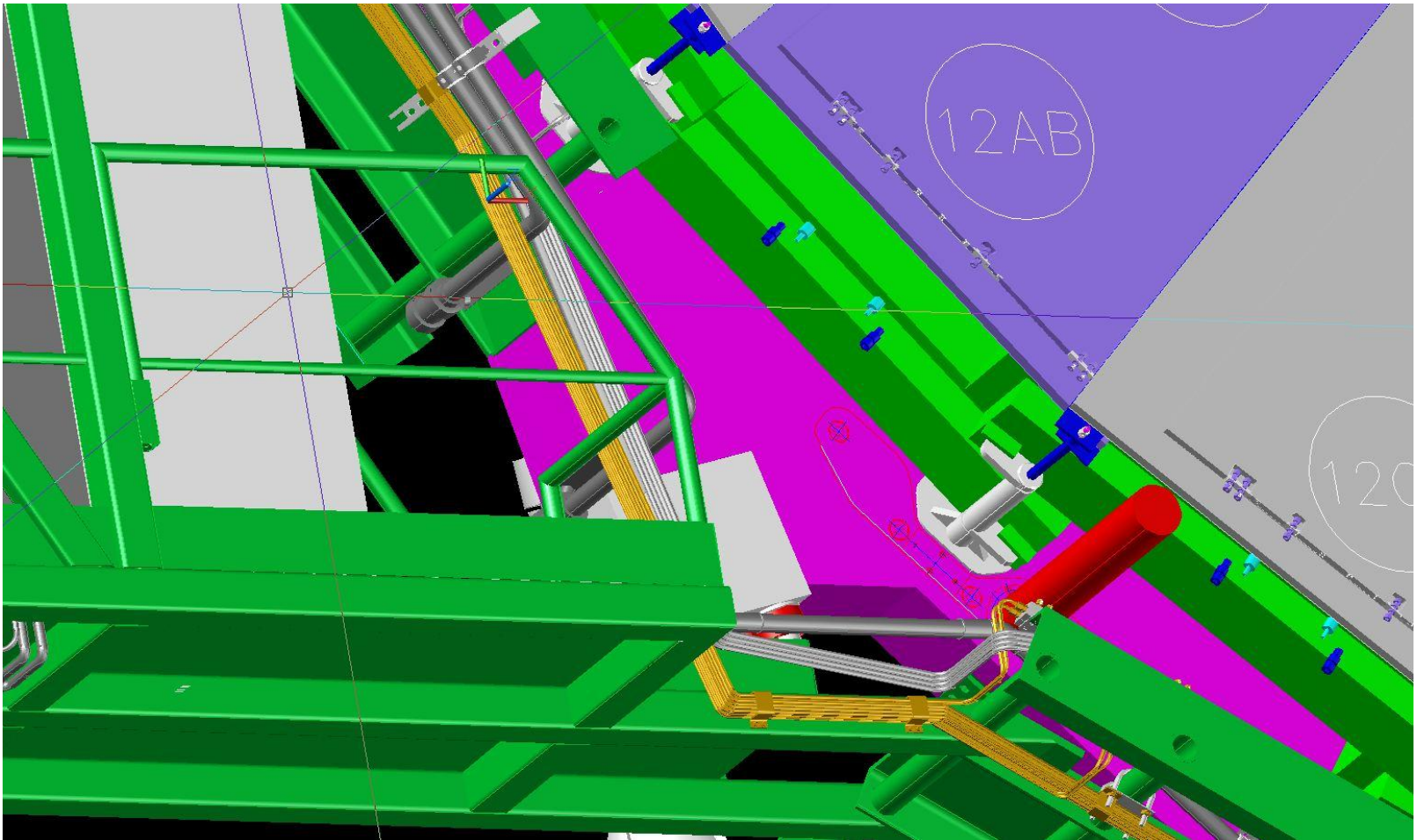
RE+4 gas tubes routing



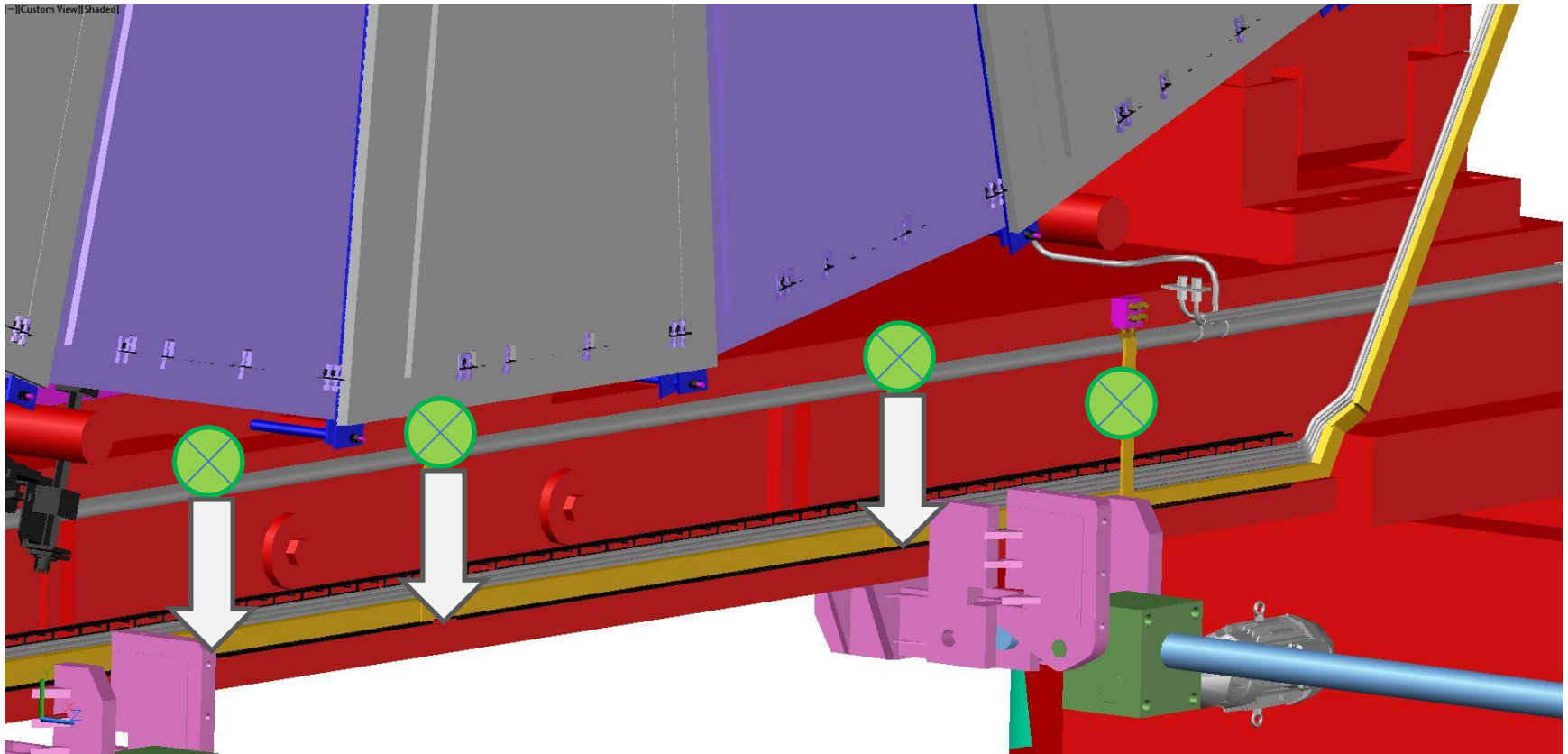
RE+4 gas tubes routing



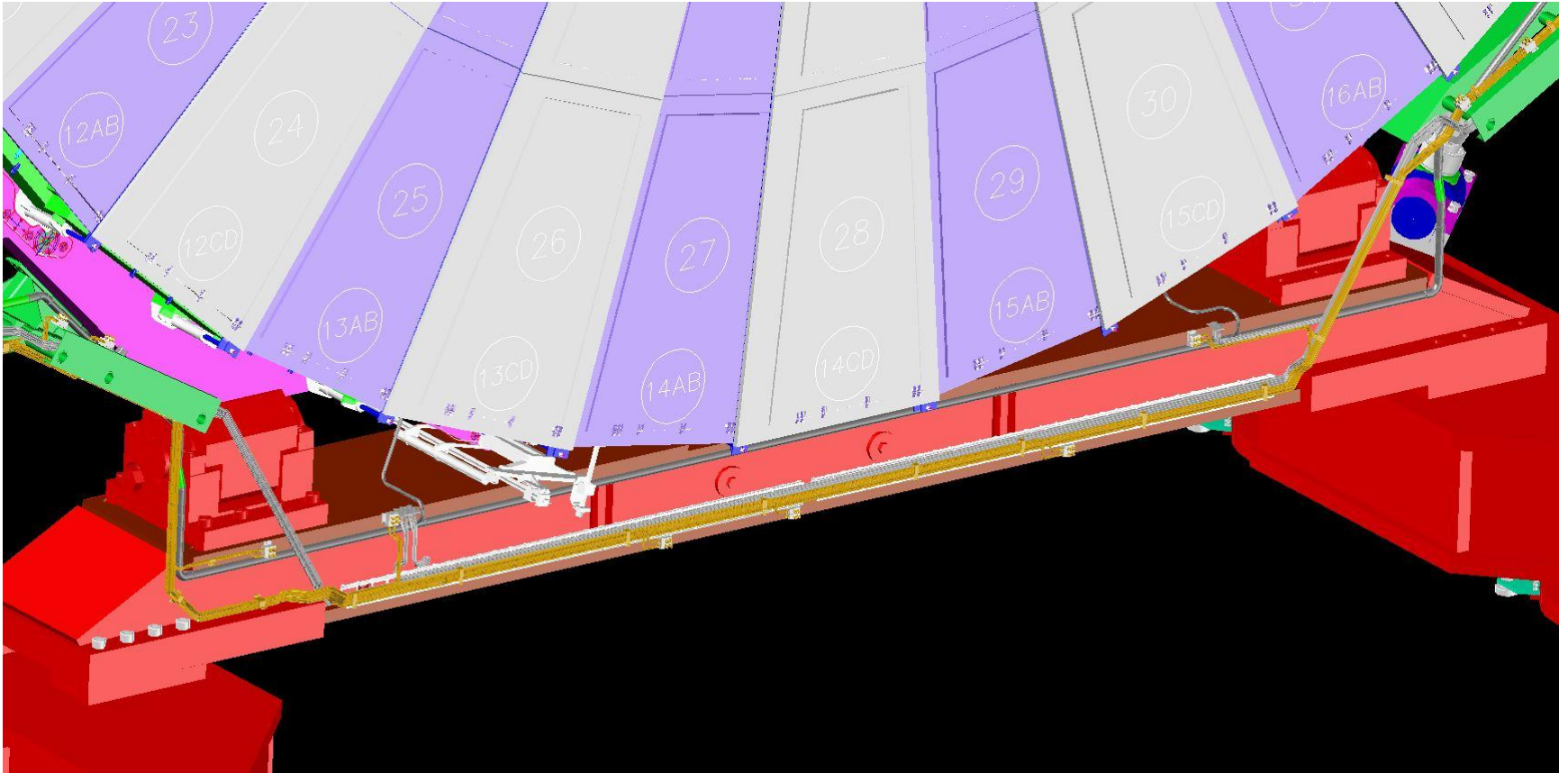
RE+4 gas tubes routing



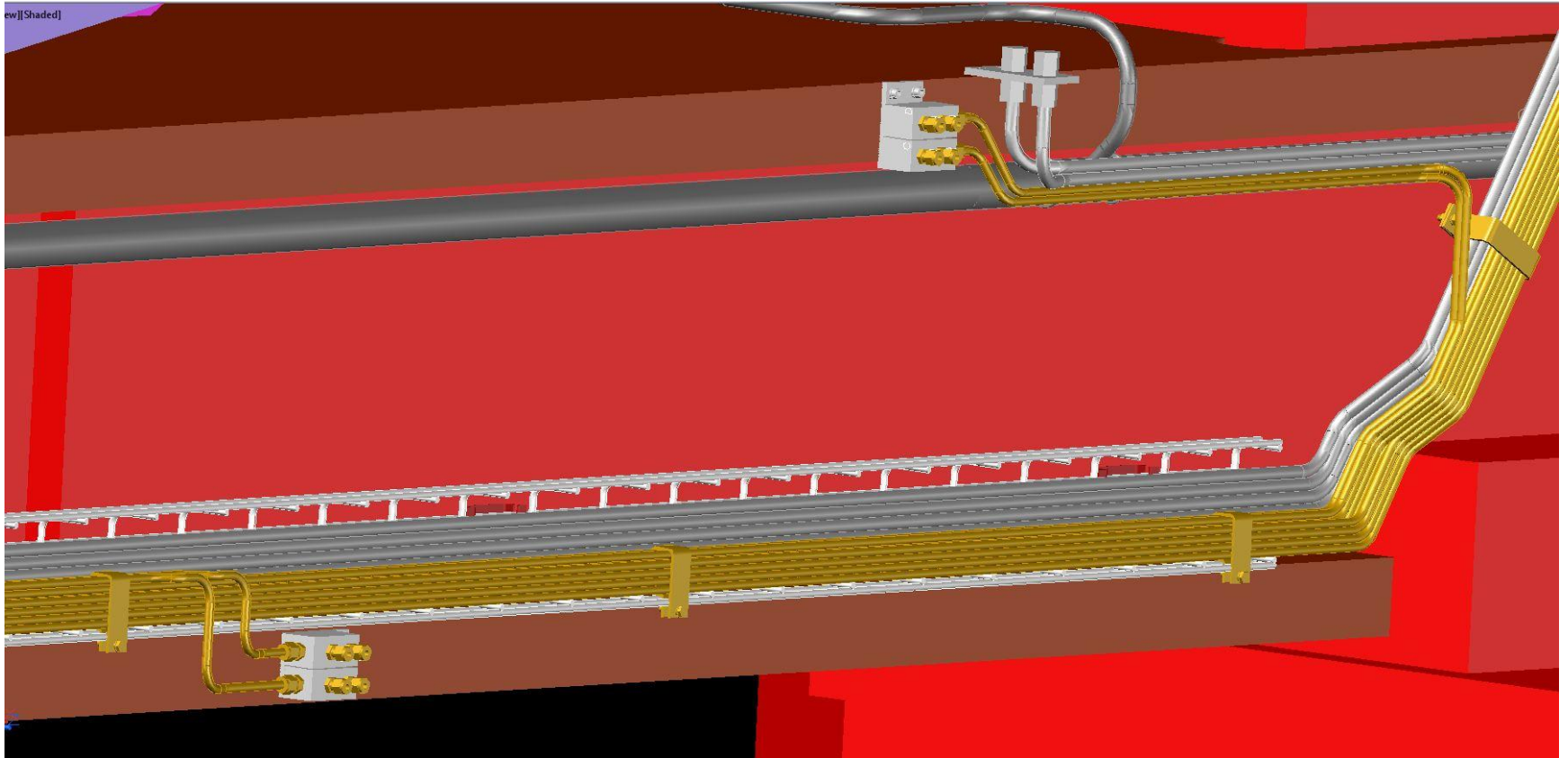
RE+4 gas tubes routing (previous proposal)



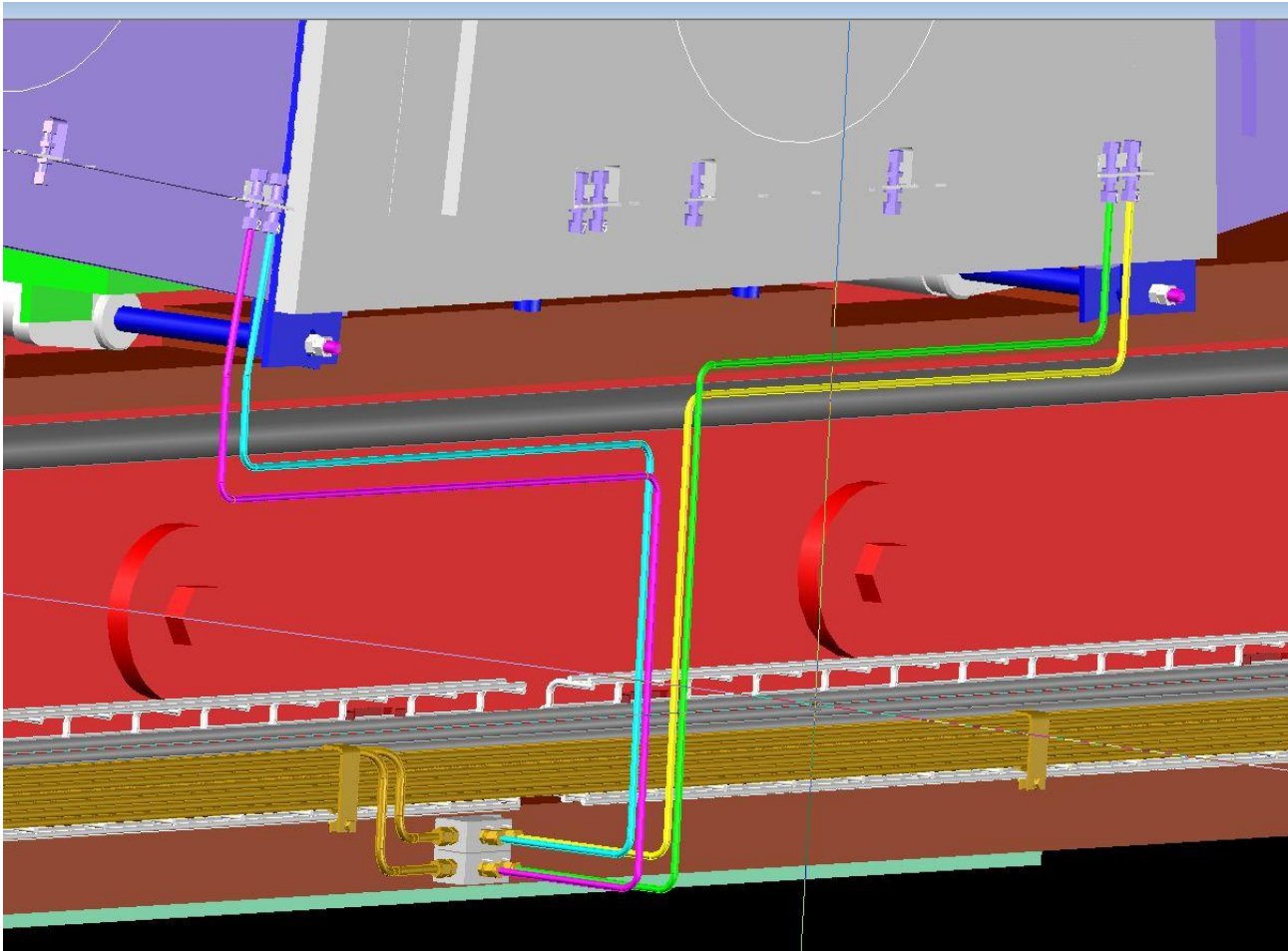
RE+4 gas tubes routing



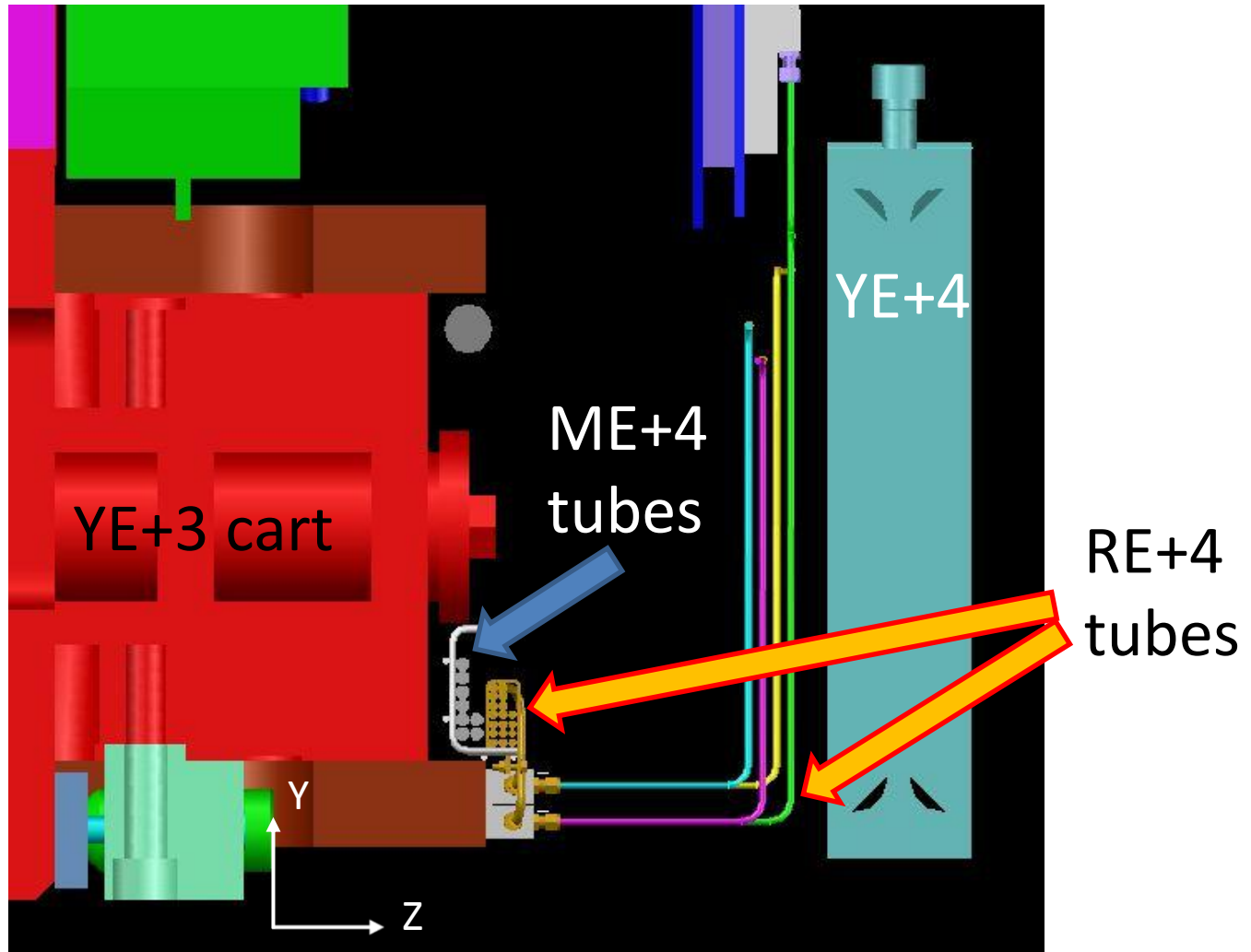
RE+4 gas tubes routing



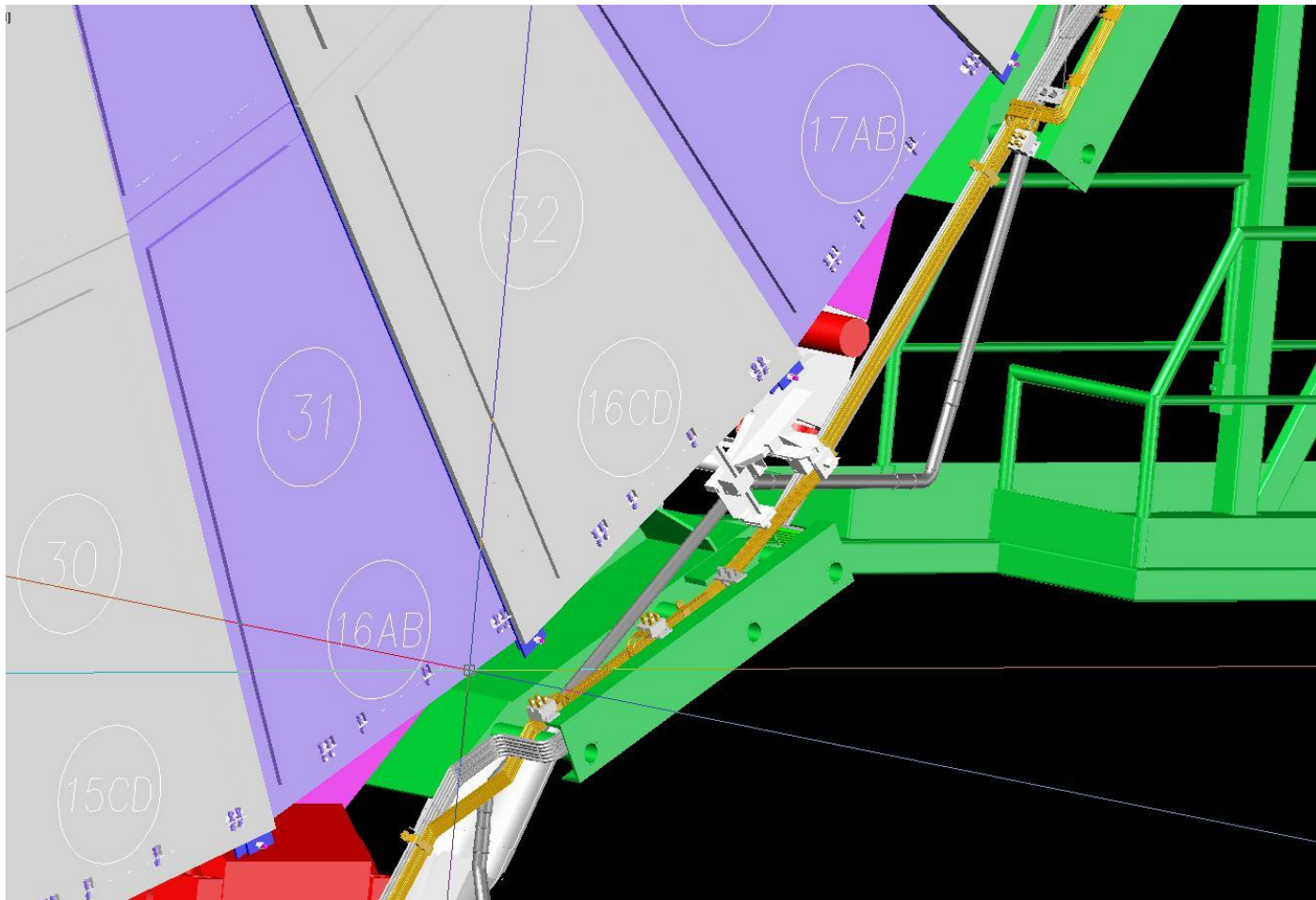
RE+4 gas tubes routing



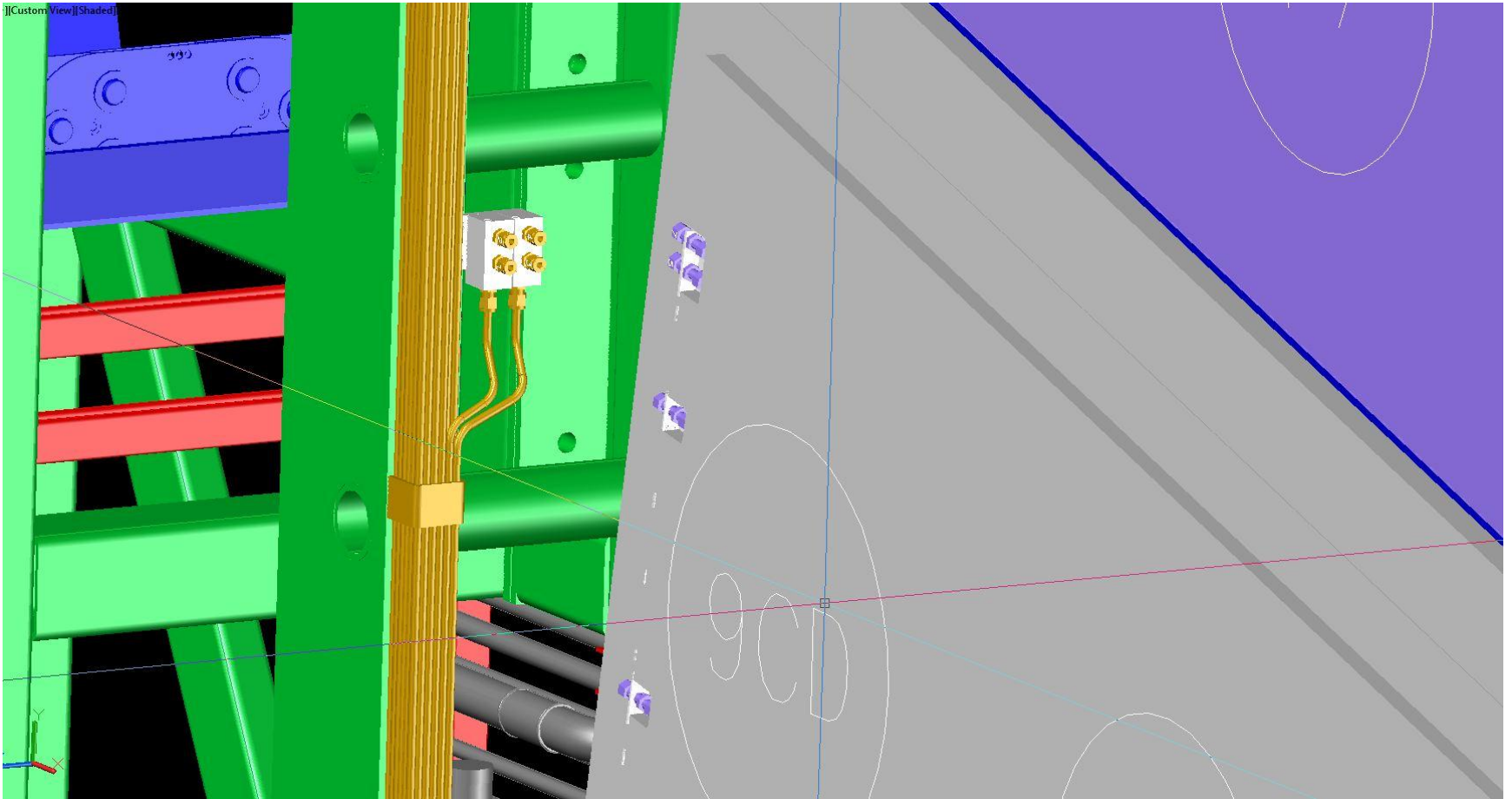
RE+4 gas tubes routing



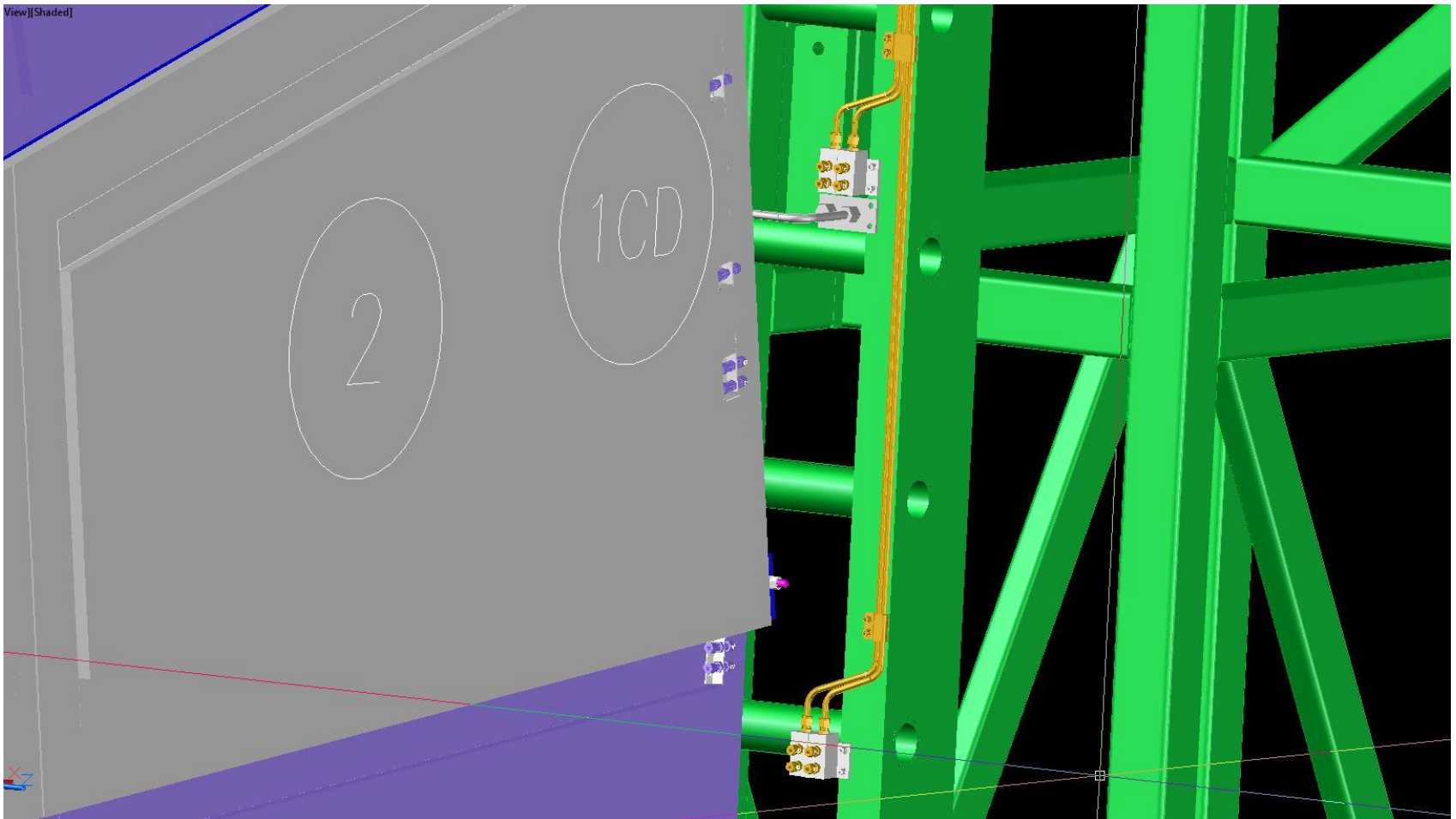
RE+4 gas tubes routing



RE+4 gas tubes routing



RE+4 gas tubes routing



RE+4 gas tubes routing

