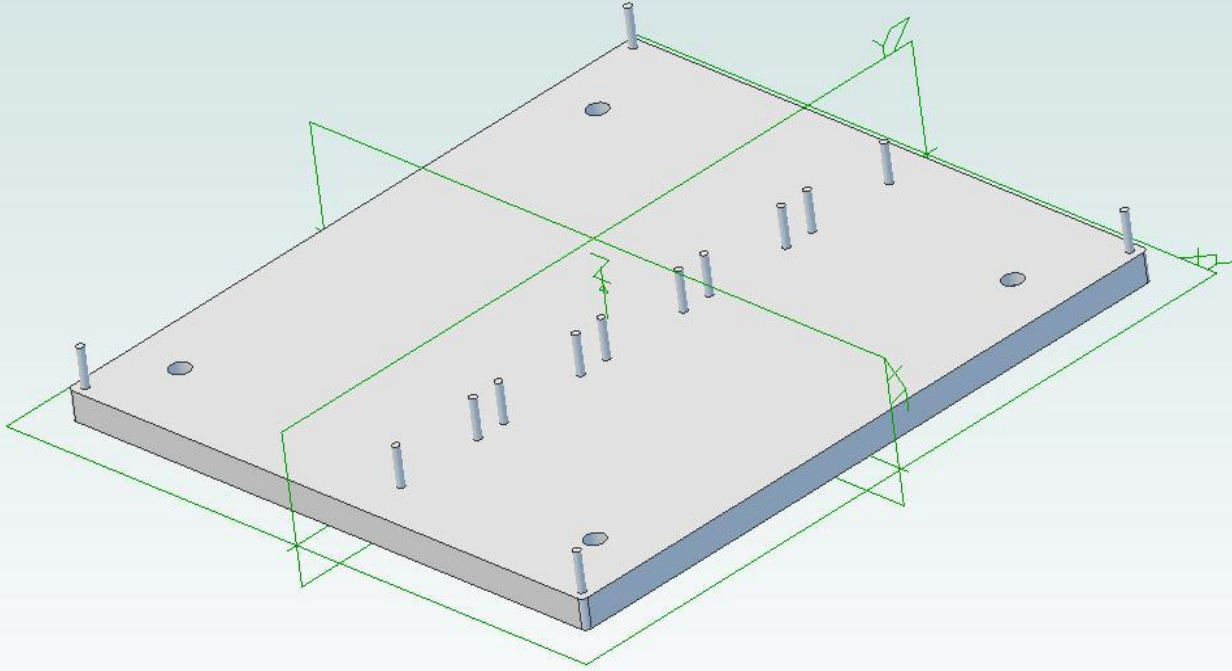


Aluminum plate for foil stretcher



- Status of the material: When i get the invoice address i will order it.
- Status of the design: Ready
- Status of machining: Paths for nc-machine is ready.
- Status of the stretcher: Ready.