

Glasgow Test Environment

3/4/2013

Glasgow Test Env.

- 12 machines dedicated as server platforms.
- 11 for grid services and 1 for environment bootstrapping (dev001-v4).
- 21 “worker nodes” 2x2 AMD 280 Opterons
- 2 Dell Powerconnect 6248's
- Model for Grid Cluster deployment
- Automated build & configuration (hopefully!)

Cobbler / Puppet / Mirror

NAT

CE

CE

Torque / Maui

ARGUS

BDII

APEL

CVMFS

HDFS Meta Data

UI

dev001-v4

dev002-v4

dev003-v4

dev004-v4

dev005-v4

dev006-v4

dev007-v4

dev008-v4

dev009-v4

dev010-v4

dev011-v4

Worker Nodes

node001

.

.

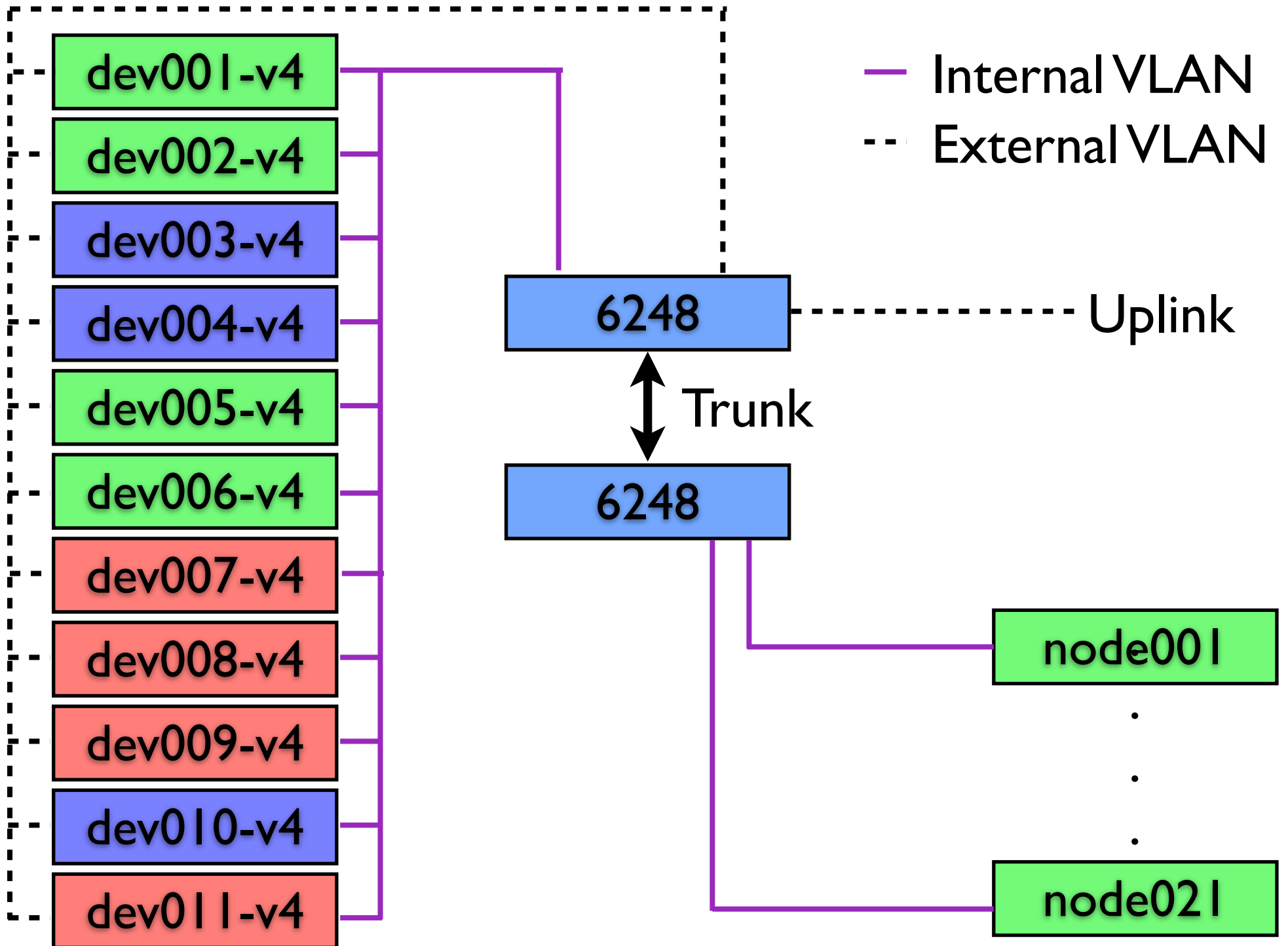
.

node021

Completed

In Progress

Outstanding



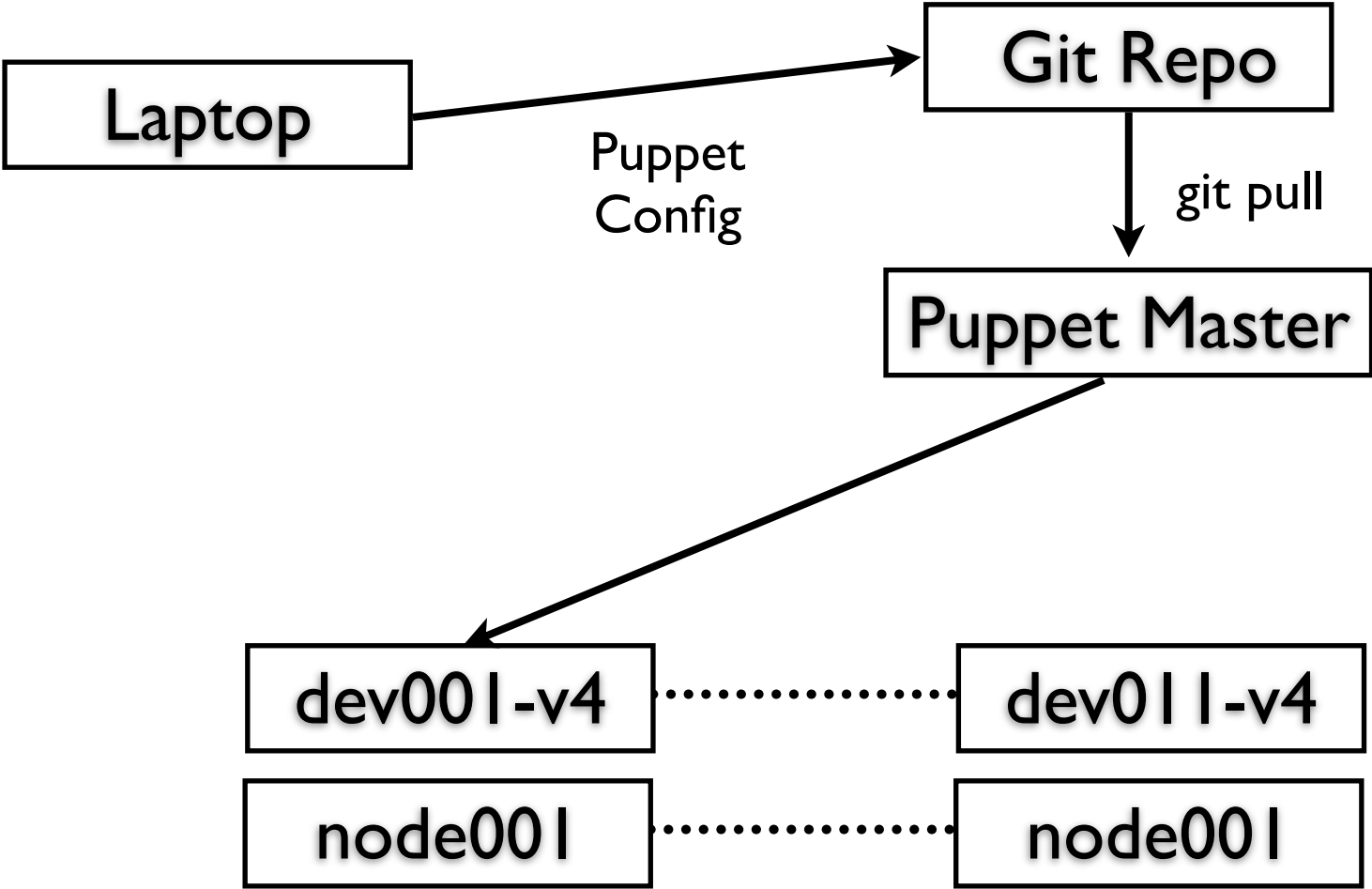
Cobbler / Puppet / Mirror

dev001-v4

- Cobbler for bare metal provisioning
 - SL5 and SL6 images
 - Per node Kickstarts possible
- Puppet for configuration management
 - Versioned via a Git repository, head node automatically synced
 - At present wrapping YAIM but room to grow.
 - EMI-2 with potential to move to EMI-3

Cobbler / Puppet / Mirror

dev001-v4



Cobbler / Puppet / Mirror

dev001-v4

Laptop

Git Repo

Puppet Config

git pull

Puppet Master

Default IPv4

dev001-v4

dev011-v4

.....

IPv6 for HEPiX

dev001-v6

dev011-v6

.....

Cobbler / Puppet / Mirror

dev001-v4

```
#NAT
node 'dev002-v4' inherits gridserver { include nat }

#CE
node 'dev003-v4' inherits gridserver { include munge }
node 'dev004-v4' inherits gridserver { include munge }

#TORQUE
node 'dev005-v4' inherits gridserver {
  include munge
  include torque
}

#ARGUS
node 'dev006-v4' inherits gridserver { include argus }

#BDII
node 'dev007-v4' inherits gridserver {}

#APEL
node 'dev008-v4' inherits gridserver {}

#CVMFS
node 'dev009-v4' inherits gridserver {}

#SPARE
node 'dev010-v4' inherits gridserver {}

#UI
node 'dev011-v4' inherits gridserver {}
```

servers.pp

```
#NAT
node 'dev002-v6' inherits gridserver { include nat }

#CE
node 'dev003-v6' inherits gridserver { include munge }
node 'dev004-v6' inherits gridserver { include munge }

#TORQUE
node 'dev005-v6' inherits gridserver {
  include munge
  include torque
}

#ARGUS
node 'dev006-v6' inherits gridserver { include argus }

#BDII
node 'dev007-v6' inherits gridserver {}

#APEL
node 'dev008-v6' inherits gridserver {}

#CVMFS
node 'dev009-v6' inherits gridserver {}

#SPARE
node 'dev010-v6' inherits gridserver {}

#UI
node 'dev011-v6' inherits gridserver {}
```

servers-v6.pp

Glasgow Test Env.

- Currently enabled for “DTEAM.”
- Looking to enable other VO’s for testing.
- Hoping for an **Open Access** model to allow rapid testing by all users.
- Version of configuration via Git & Puppet to allow roll back and automated building.