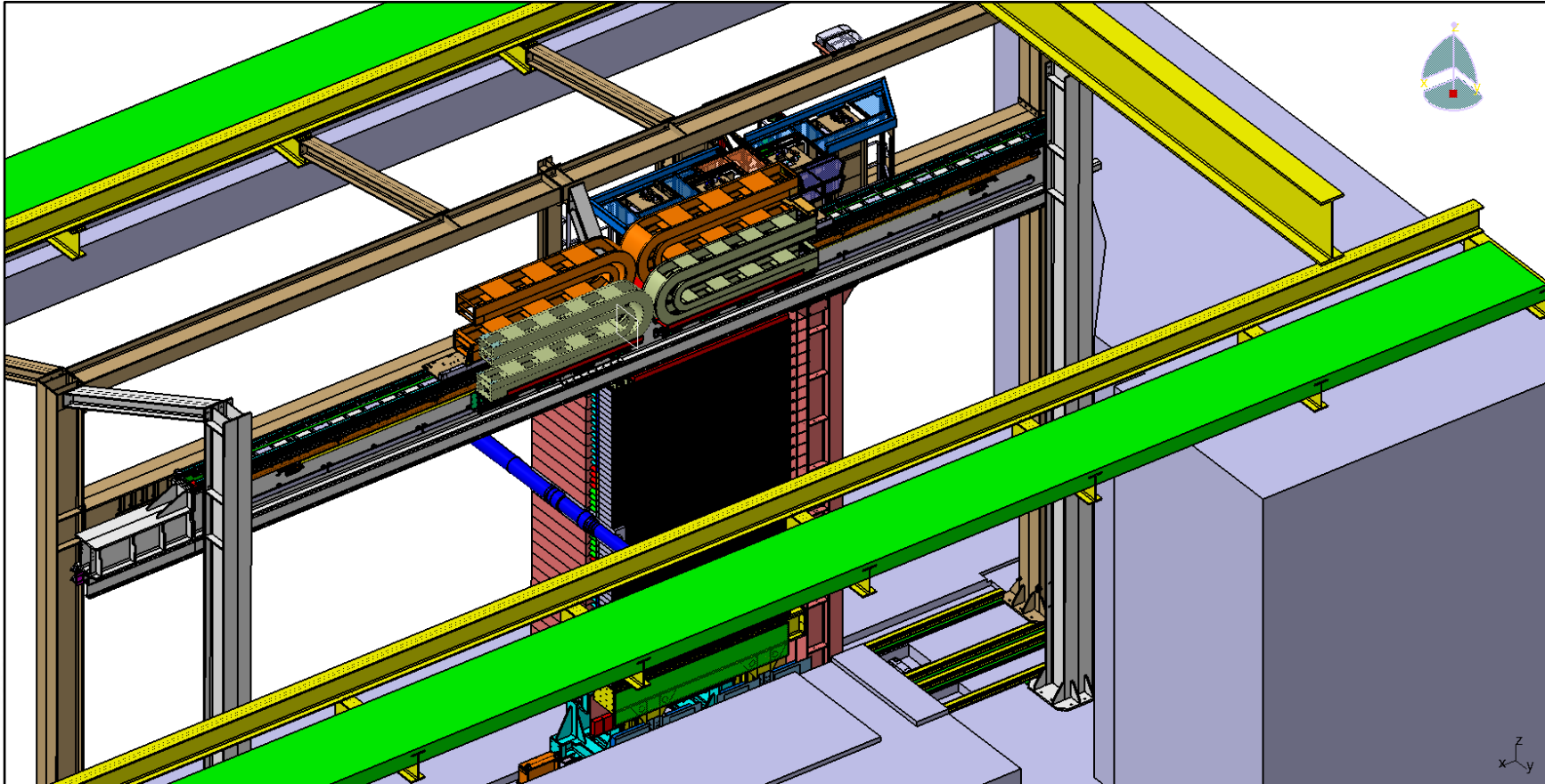




Laboratoire d'Annecy-le-Vieux
de Physique des Particules

LHCb Calorimeter Upgrade



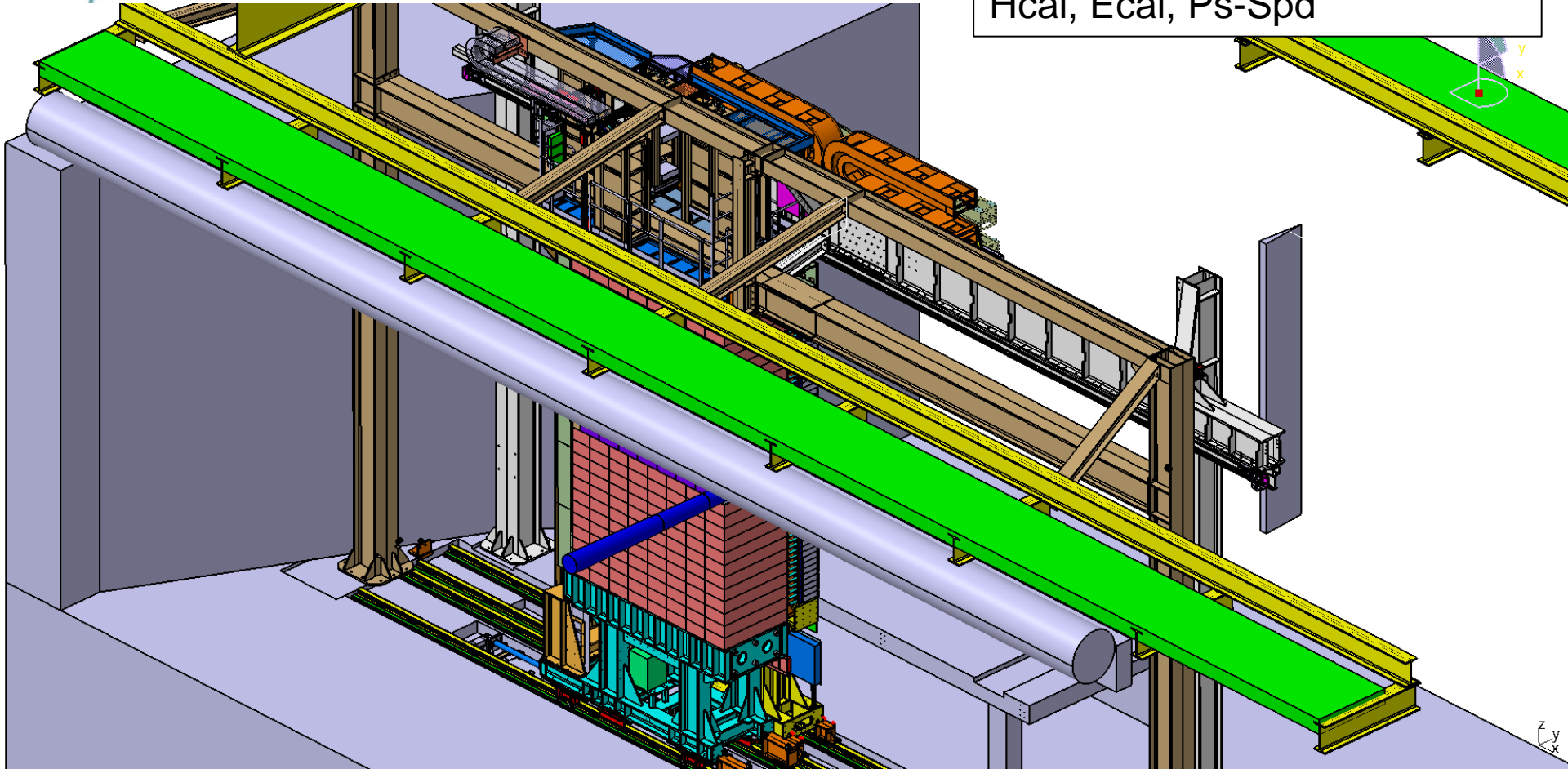
In2p3

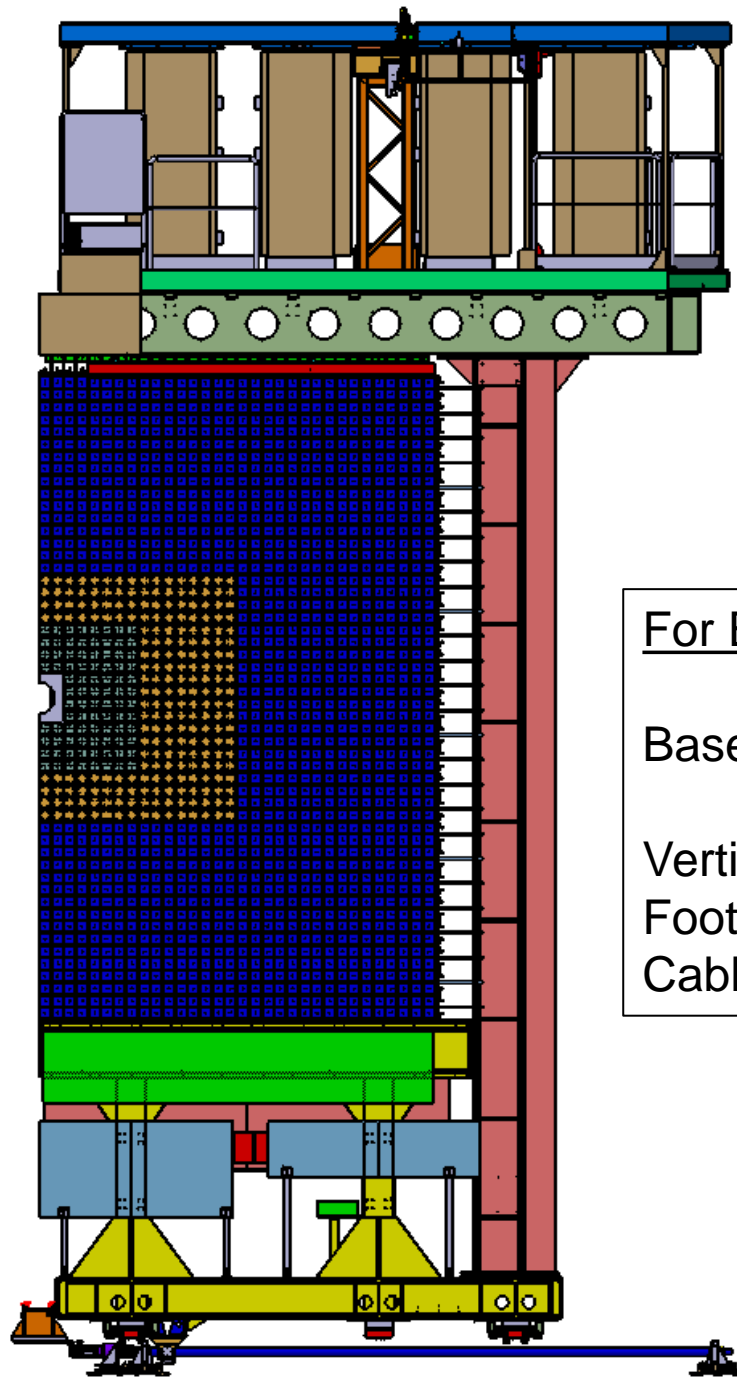


CERN-Calorimeter Upgrade Meeting- 2013 May28th

LAPP responsibilities in 2006:

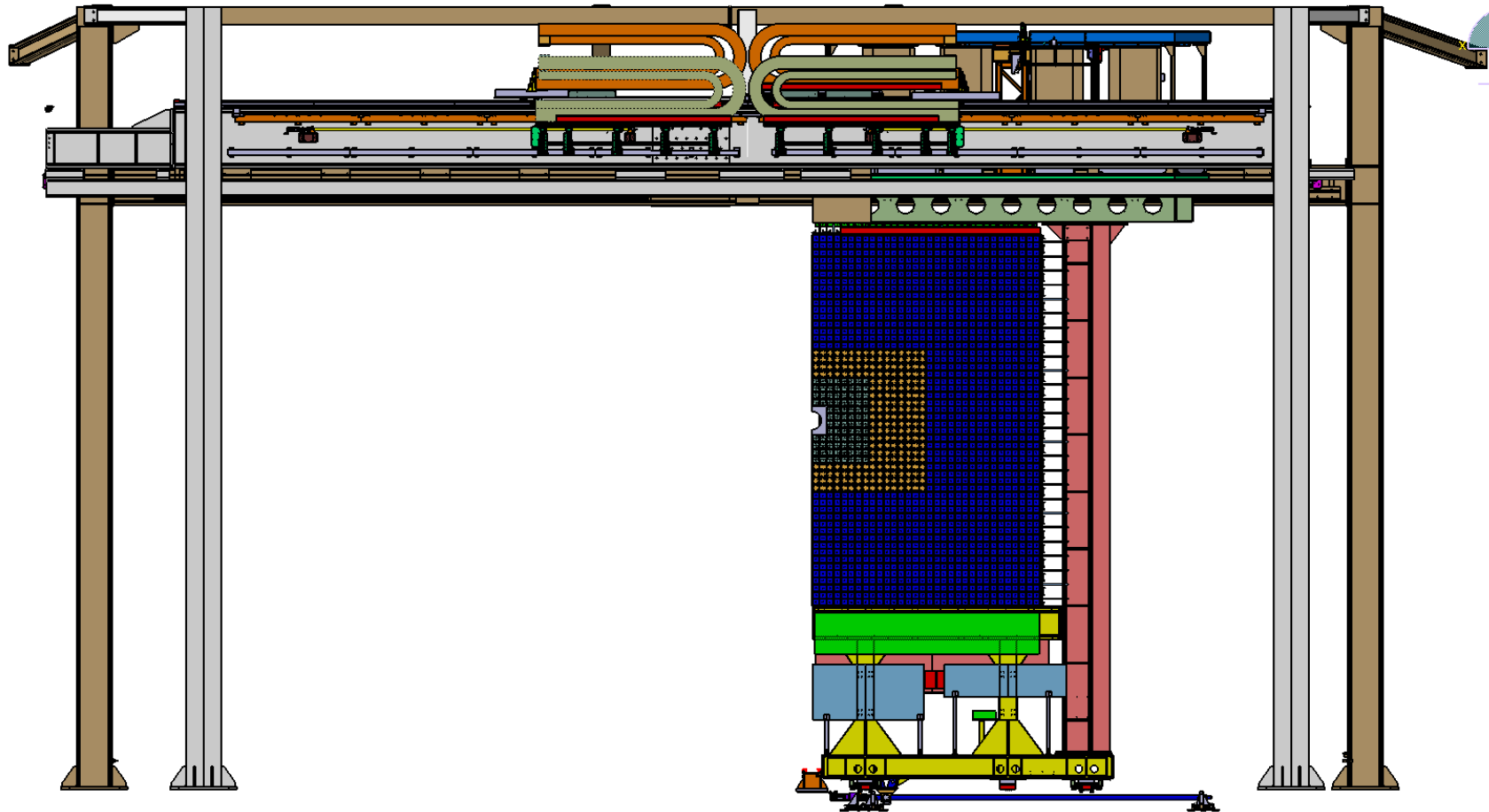
Mechanical structure of :
Hcal, Ecal, Ps-Spd

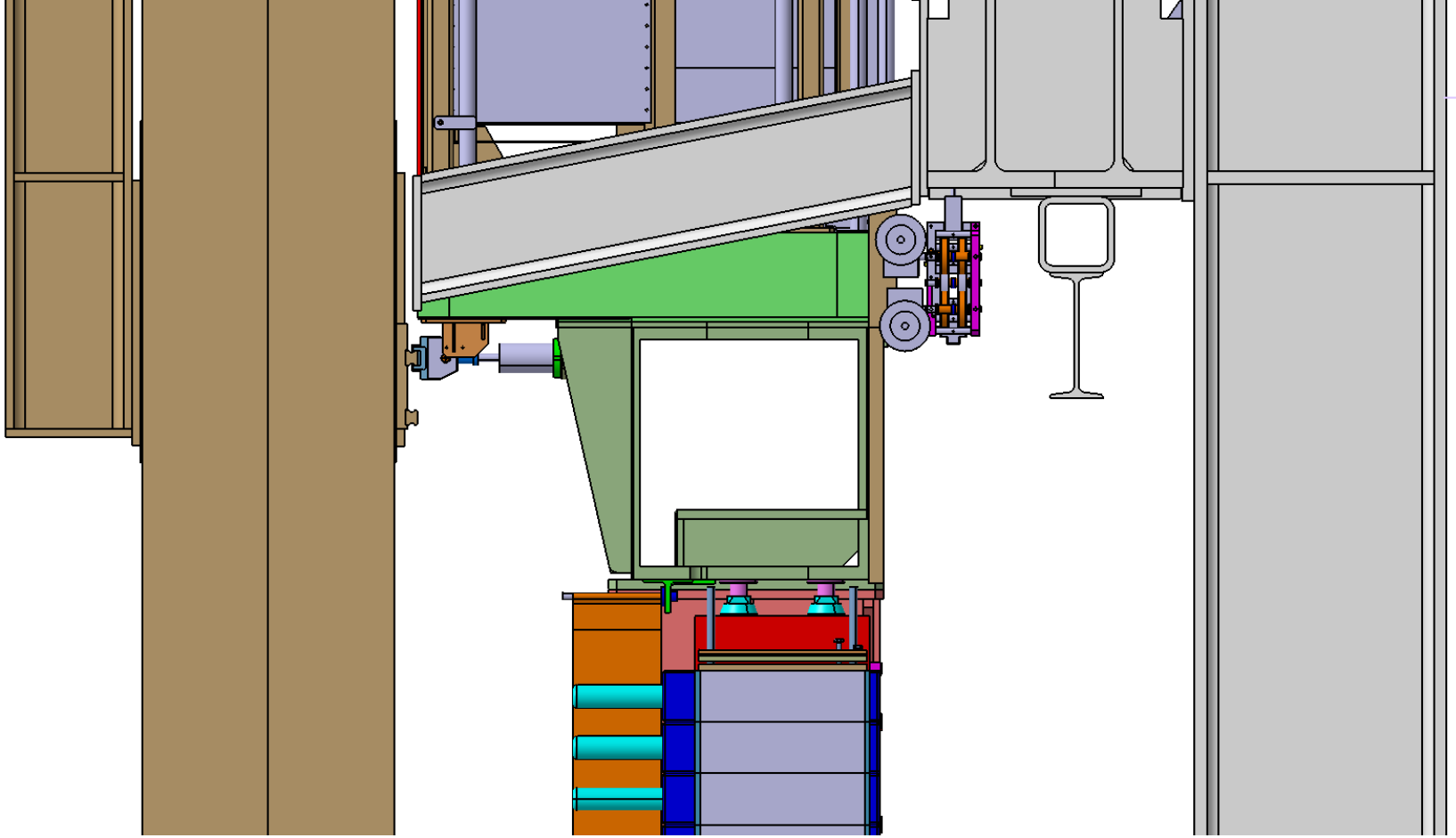




For ECAL:

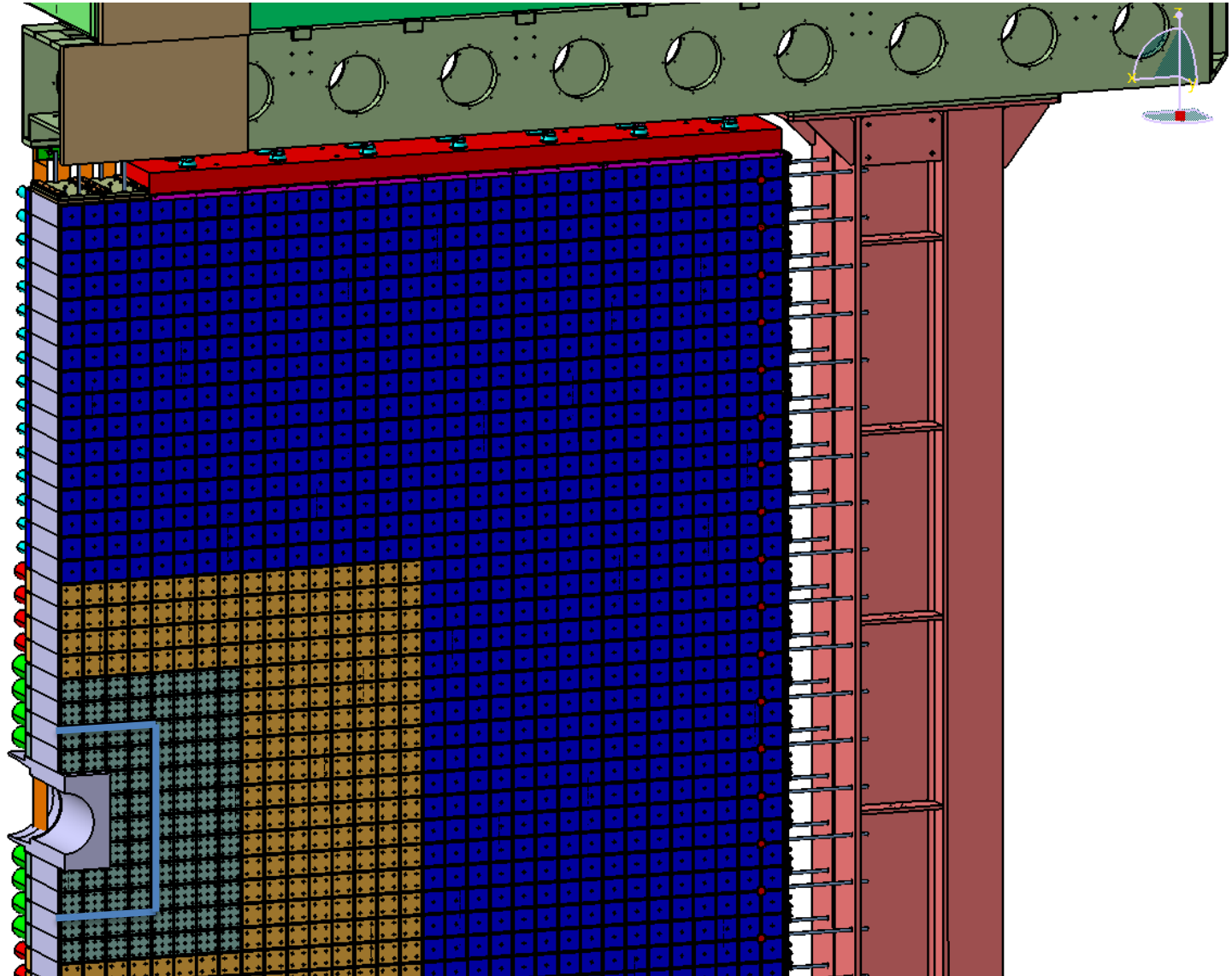
- Base with displacement system (rolls & balls screw)
- Vertical Beam
- Footbridge
- Cables chains



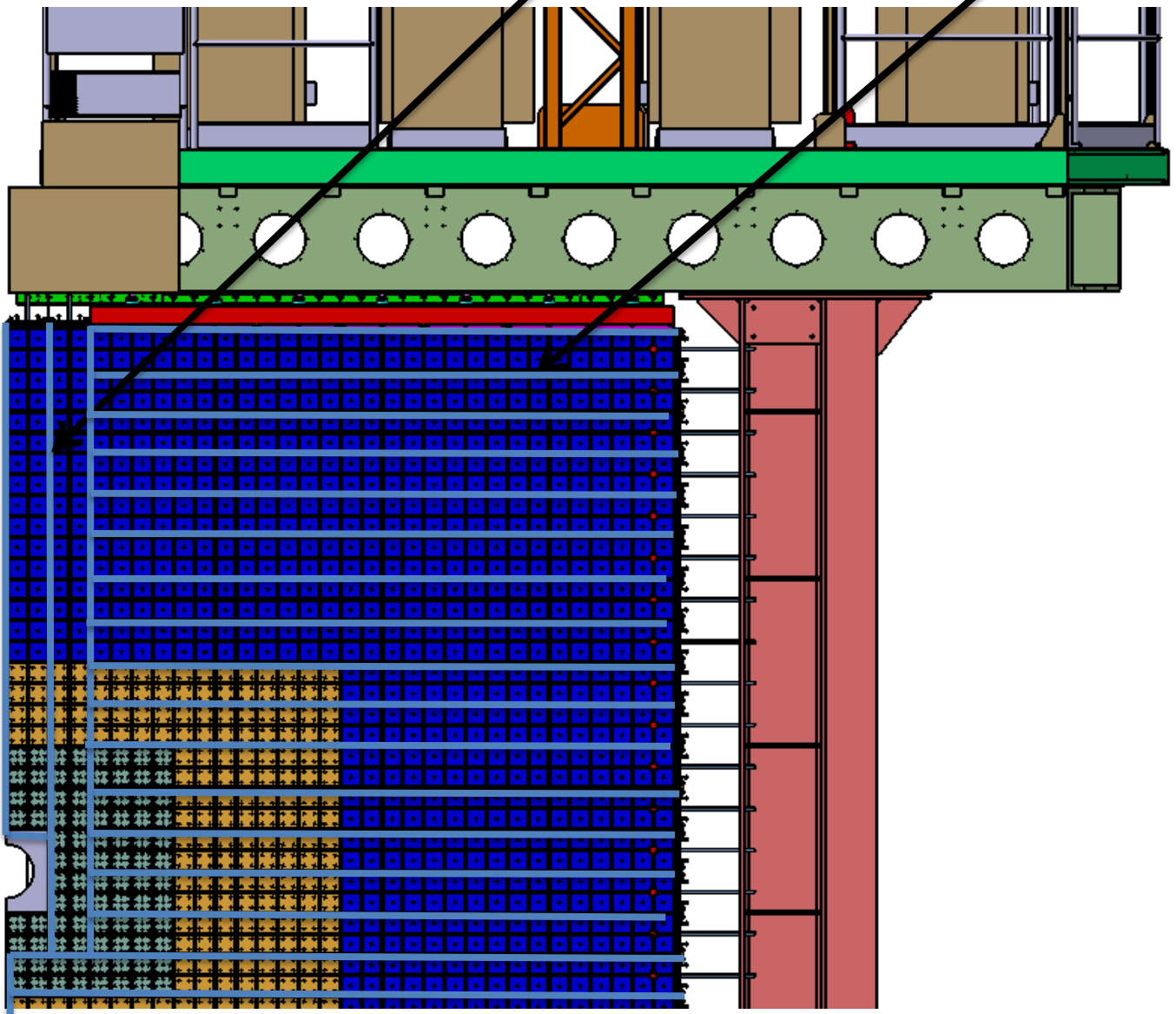


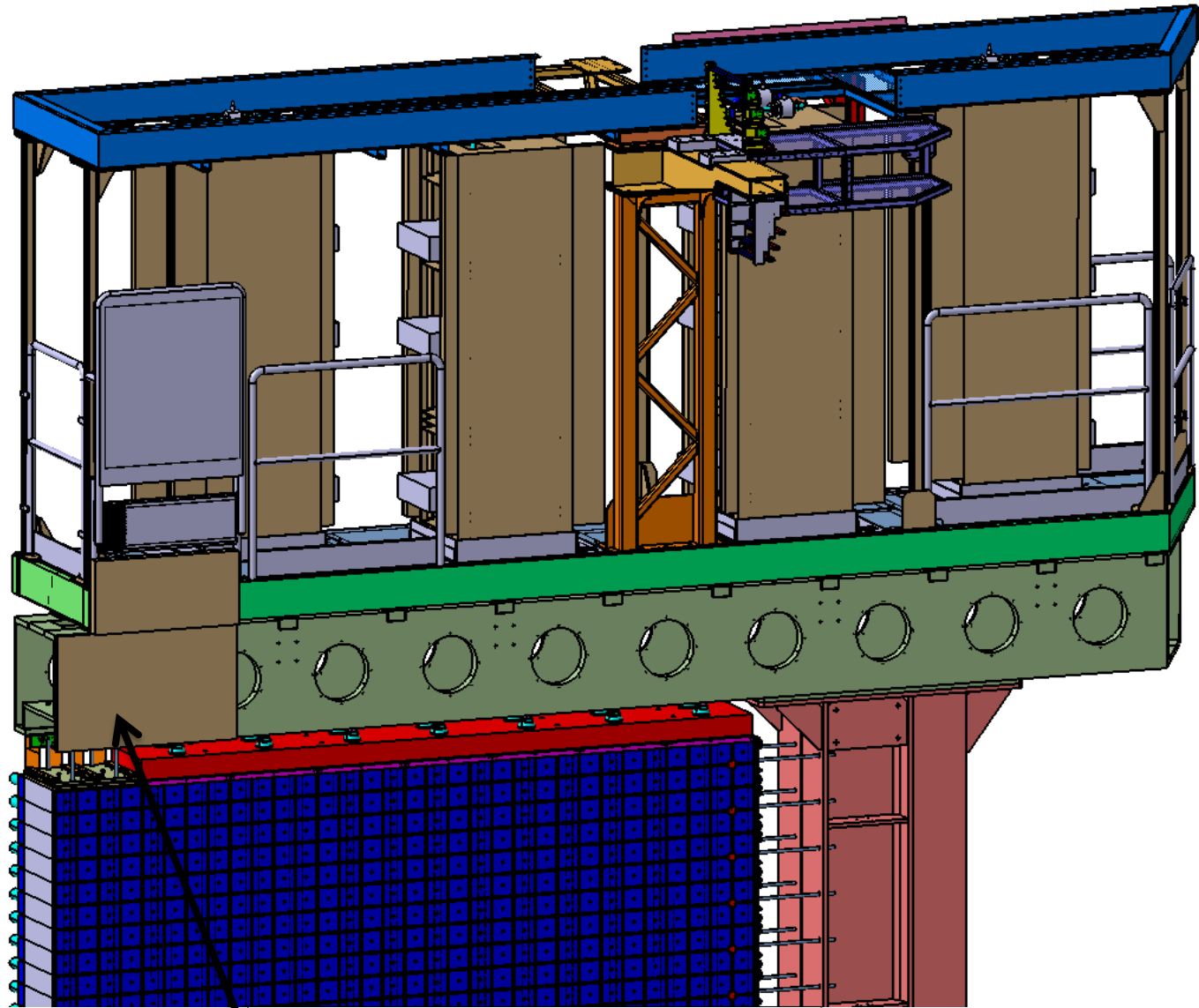
Upgrade:

Exchange
of the
beam plug
and 24
modules
each side



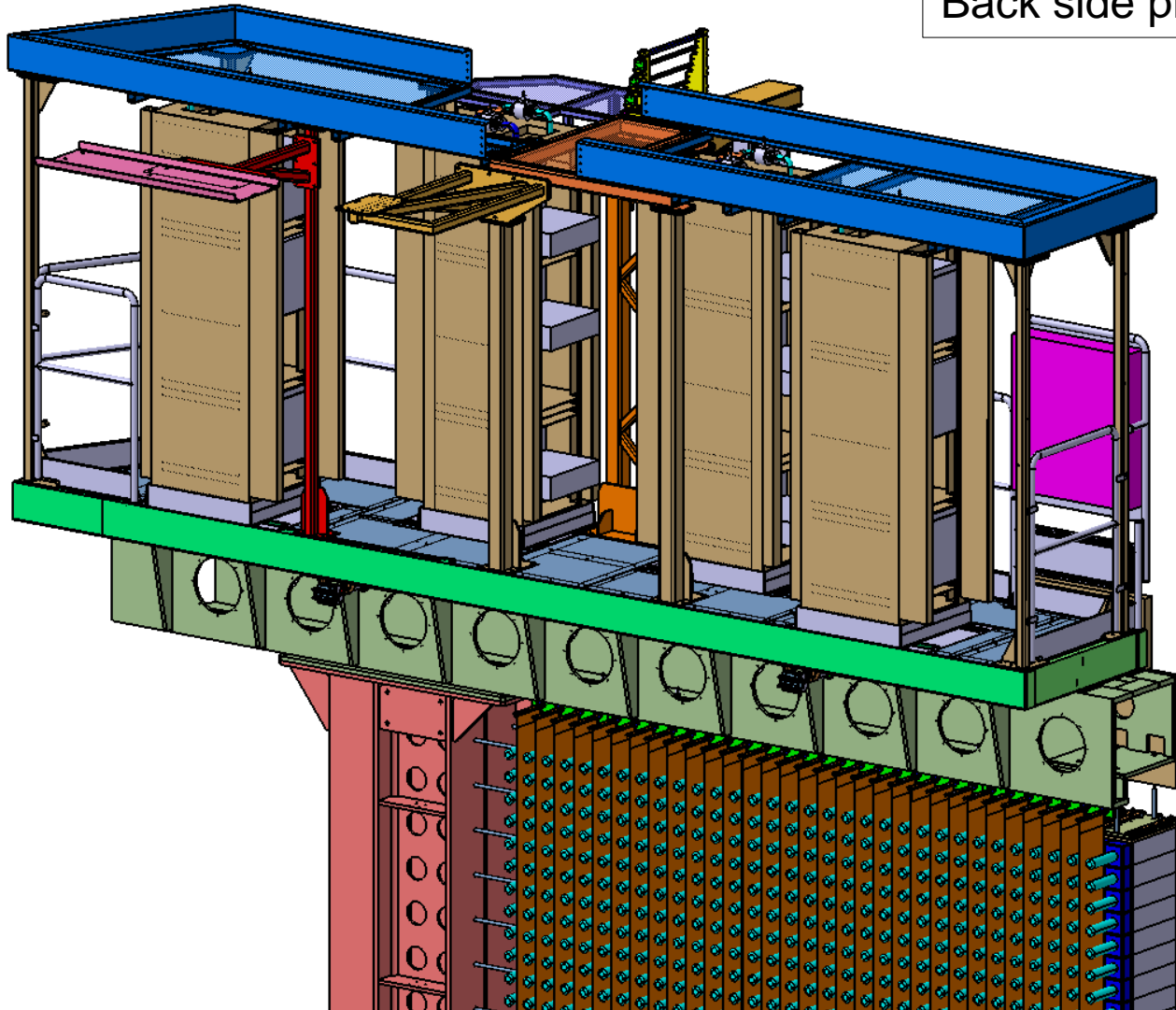
Fixing Metallic Strip each 2 ligns of moduls



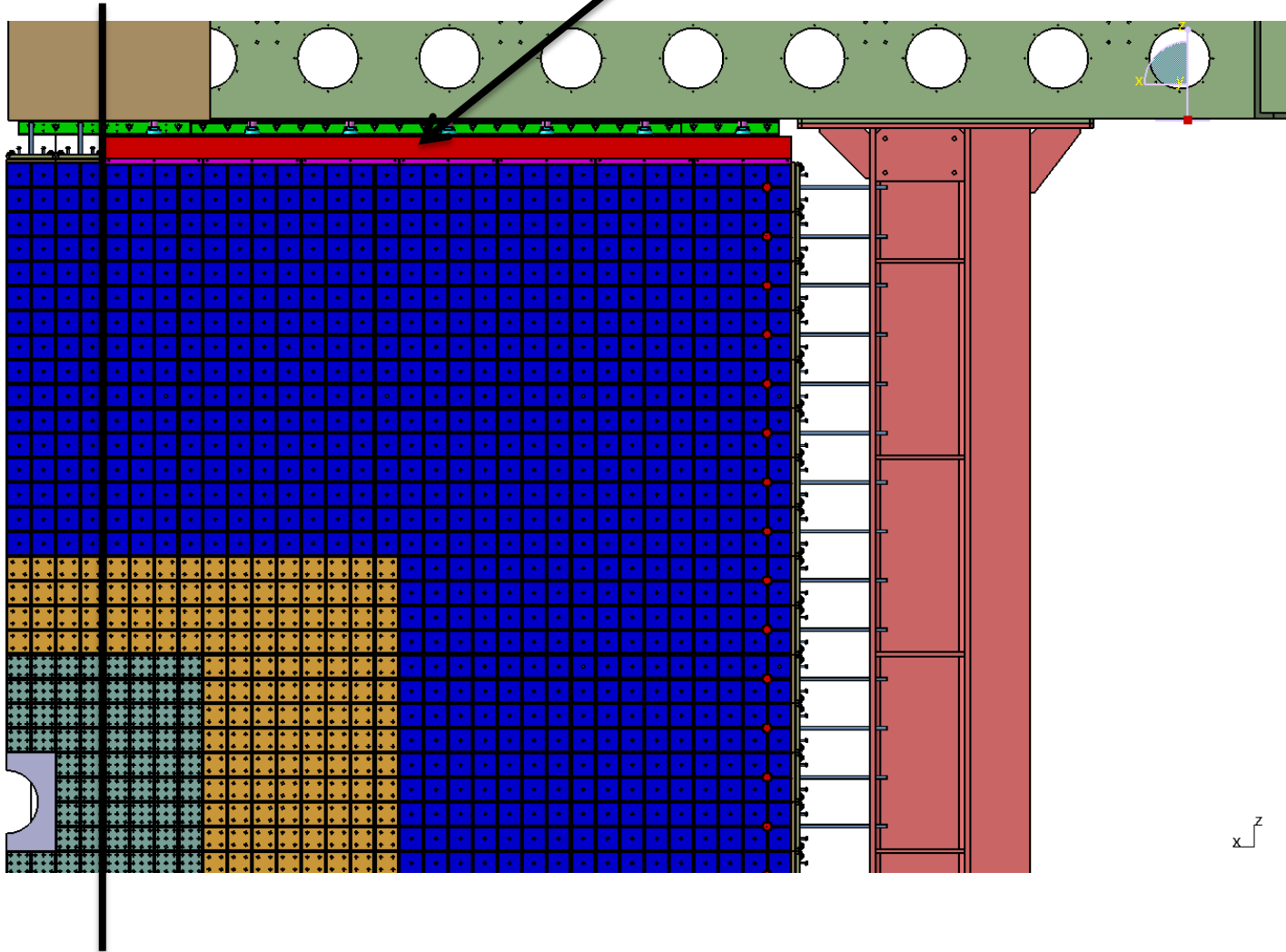


Zone could be dismantled ?

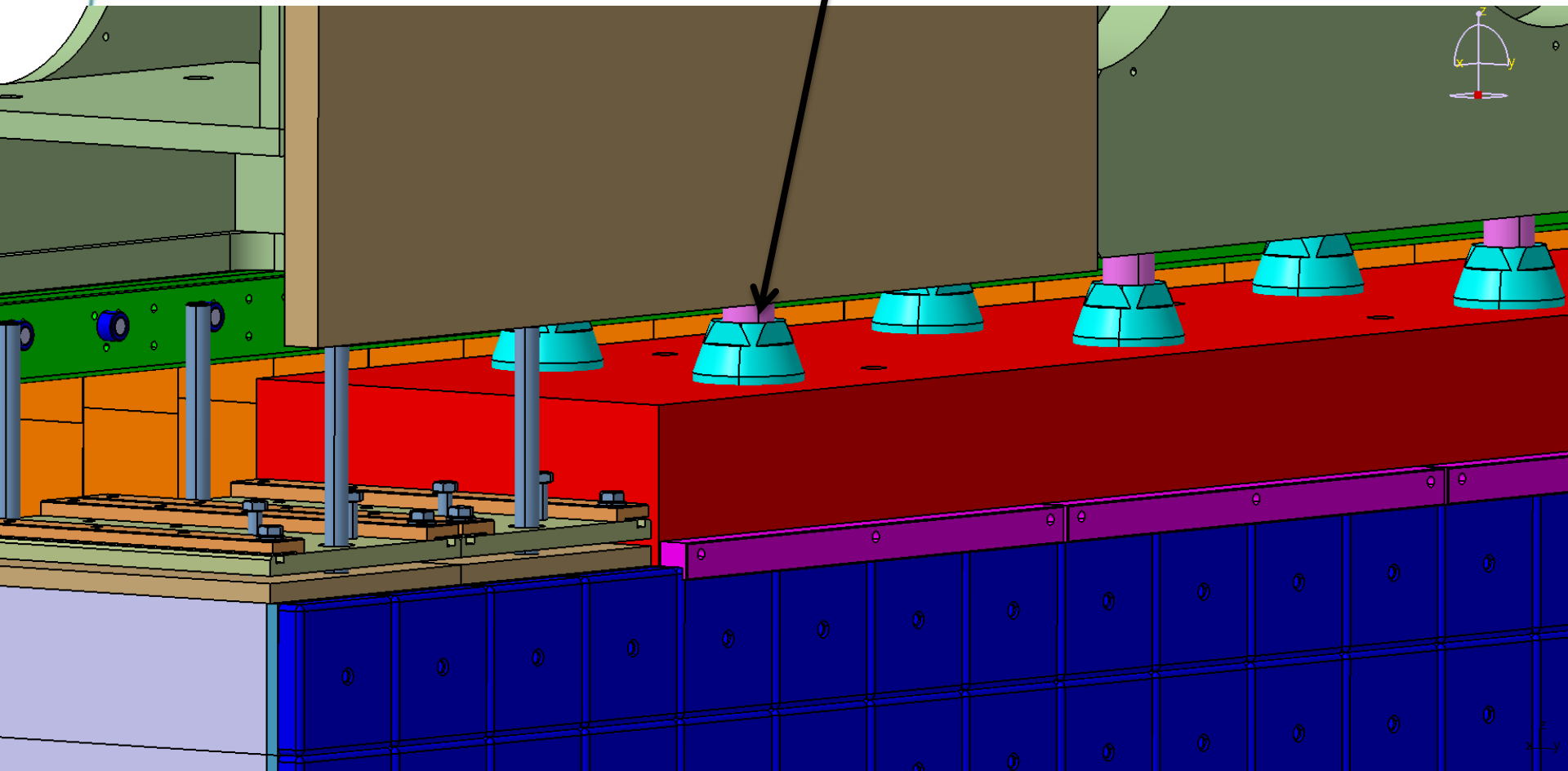
Back side platform



Long steel plate : 1500 kg

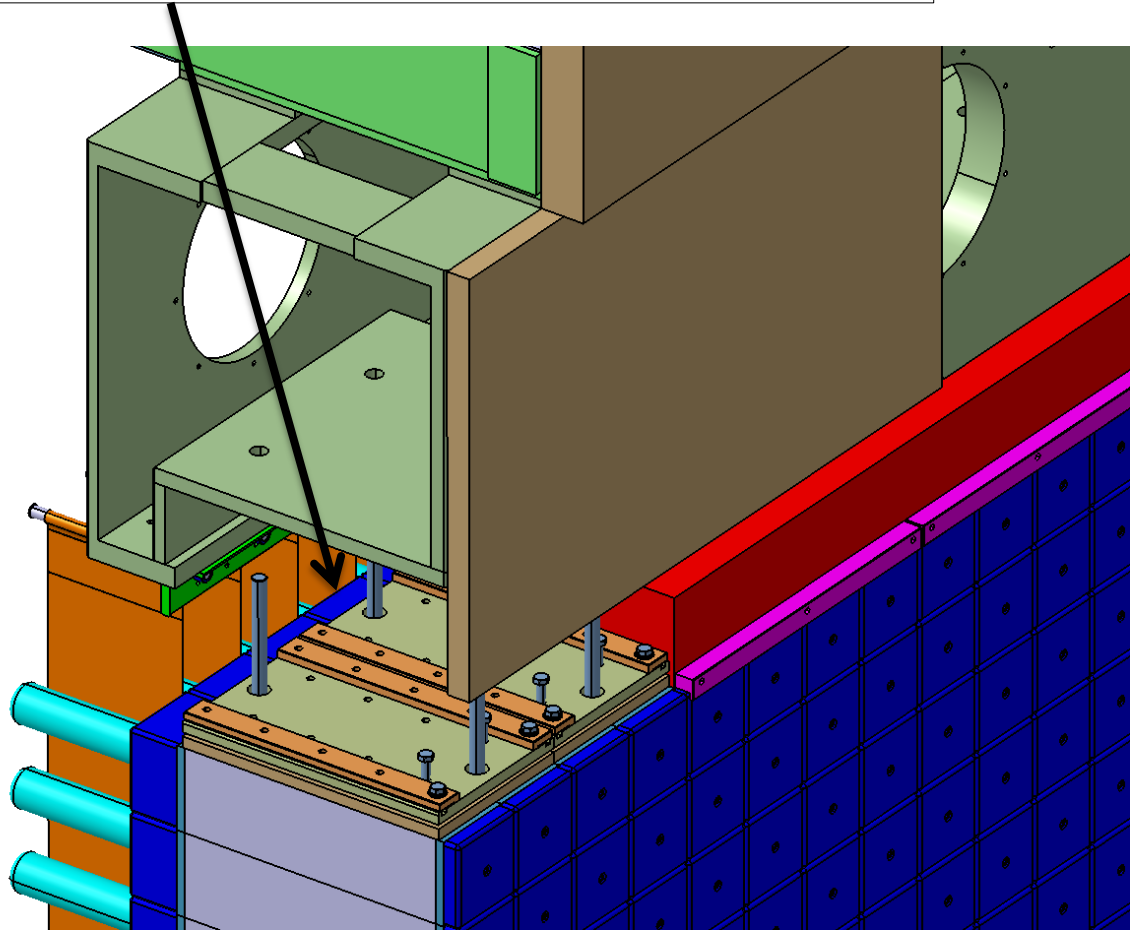
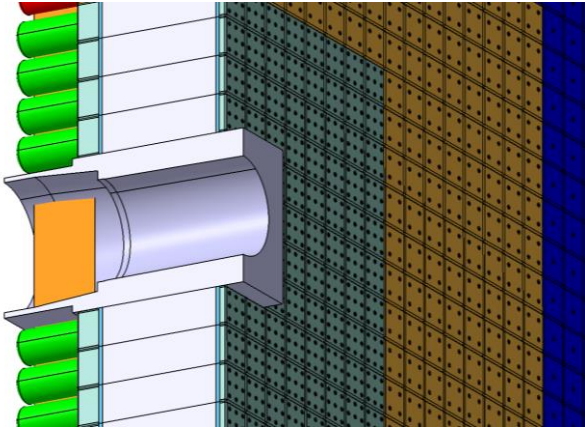


Mechanical jack

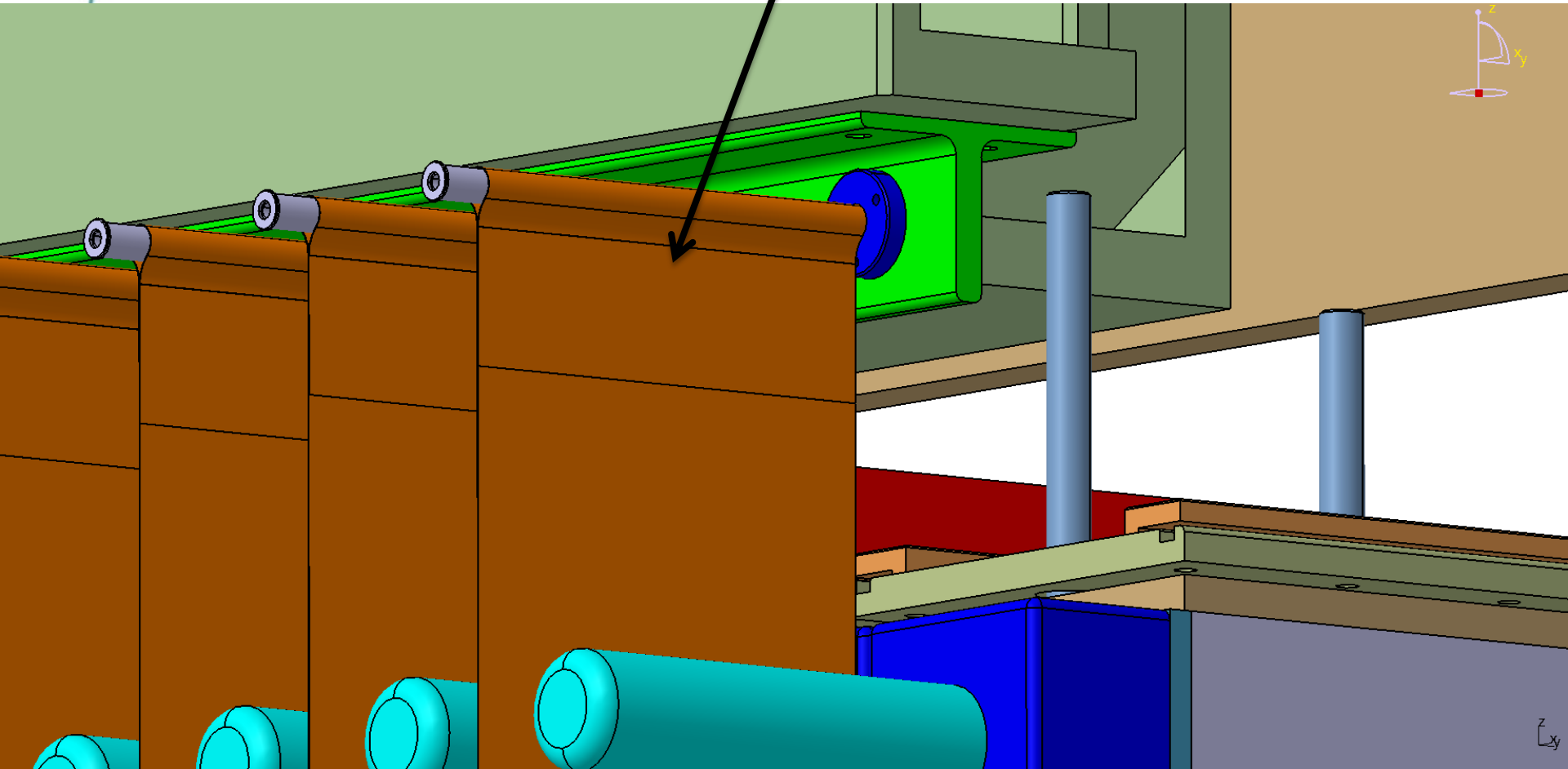


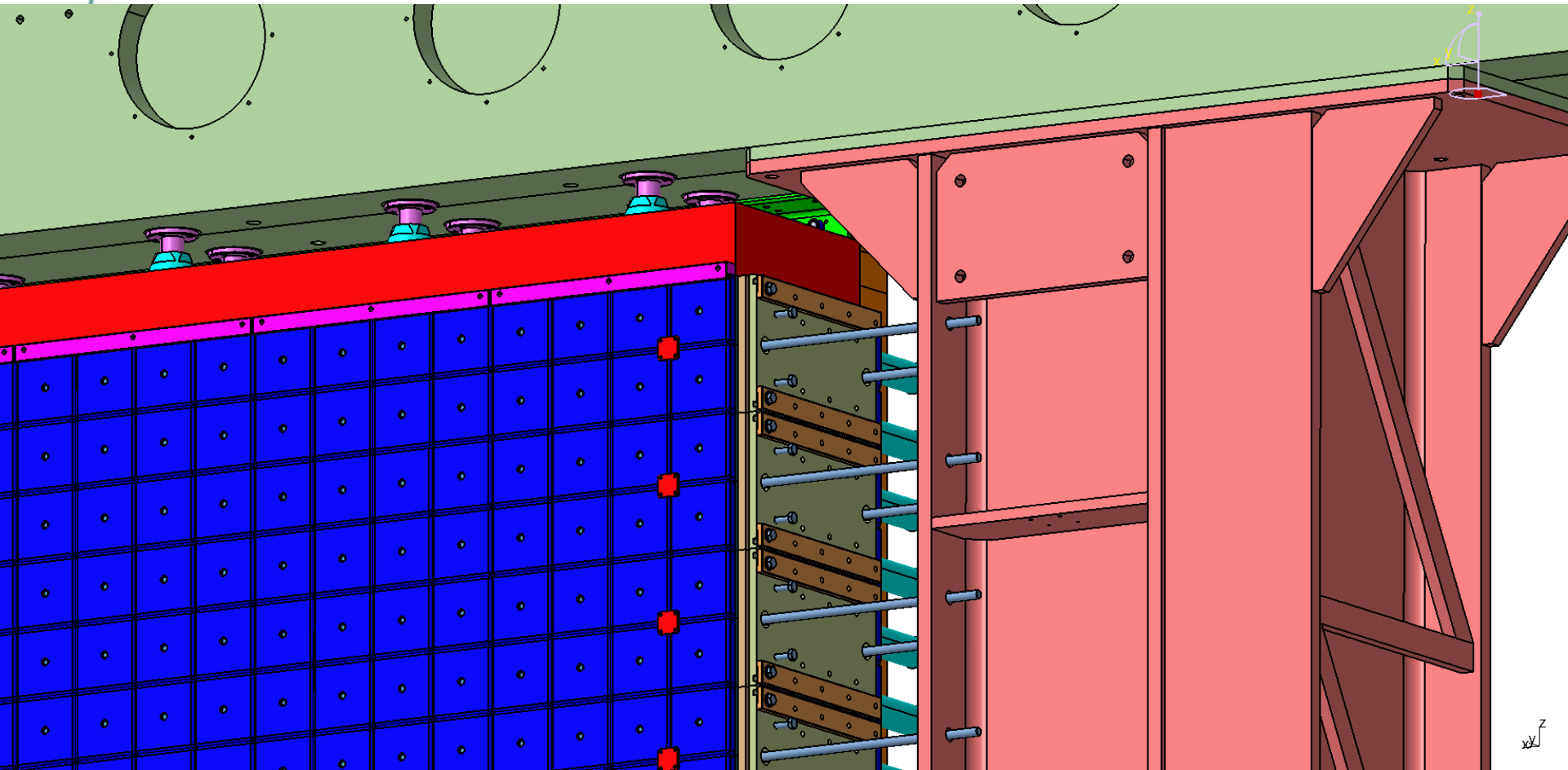
Working area to remove modules or beam plug

- Tools :
- Cherry picker
- Special tool for beam plug

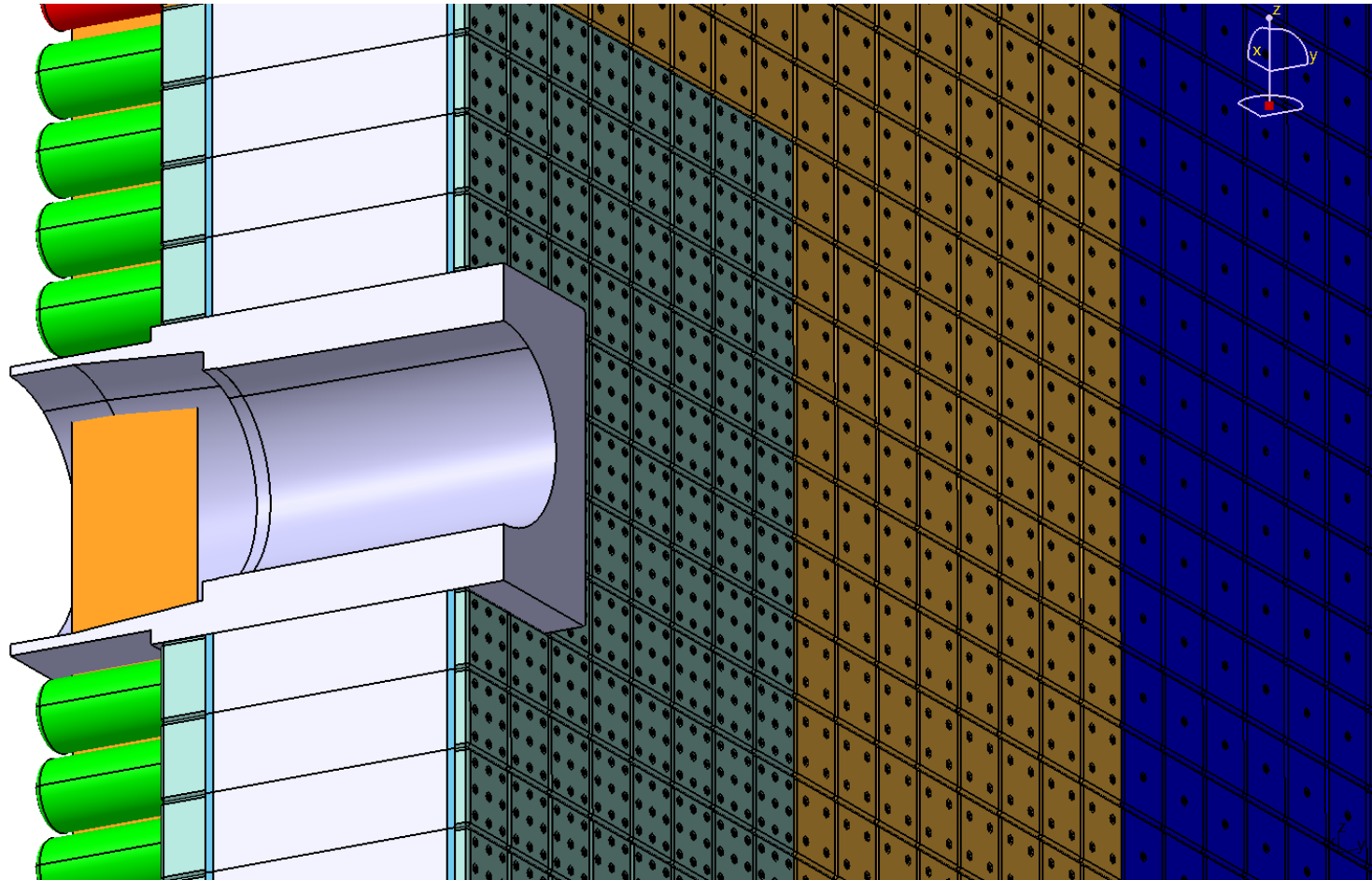


Metallic plate to fix moduls cables

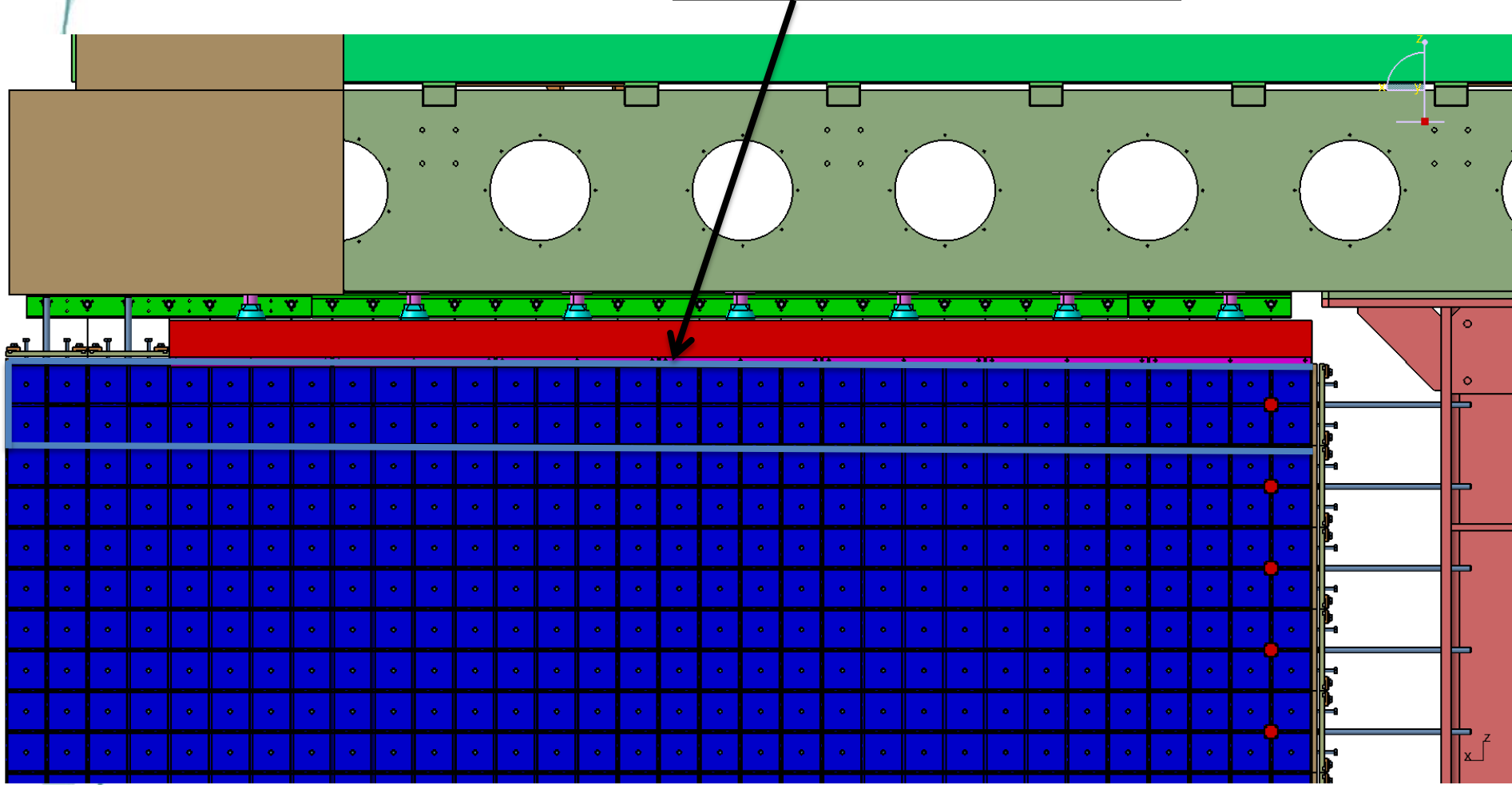


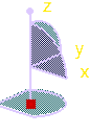
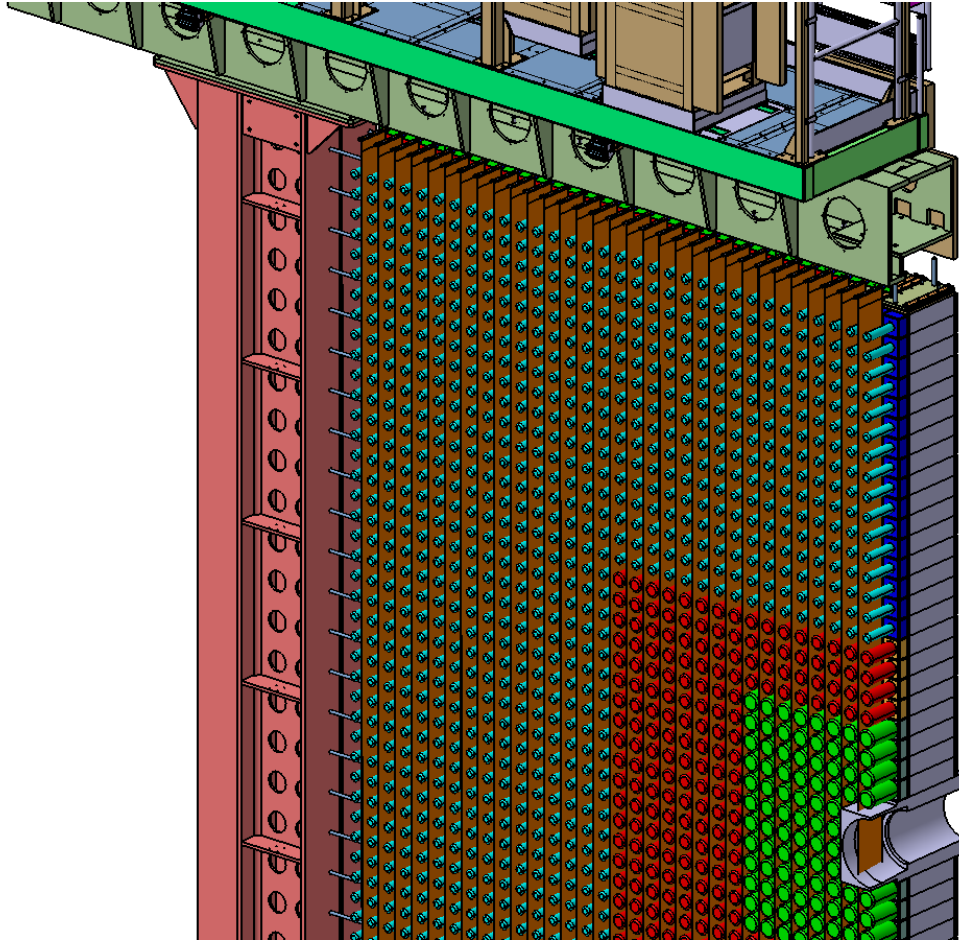


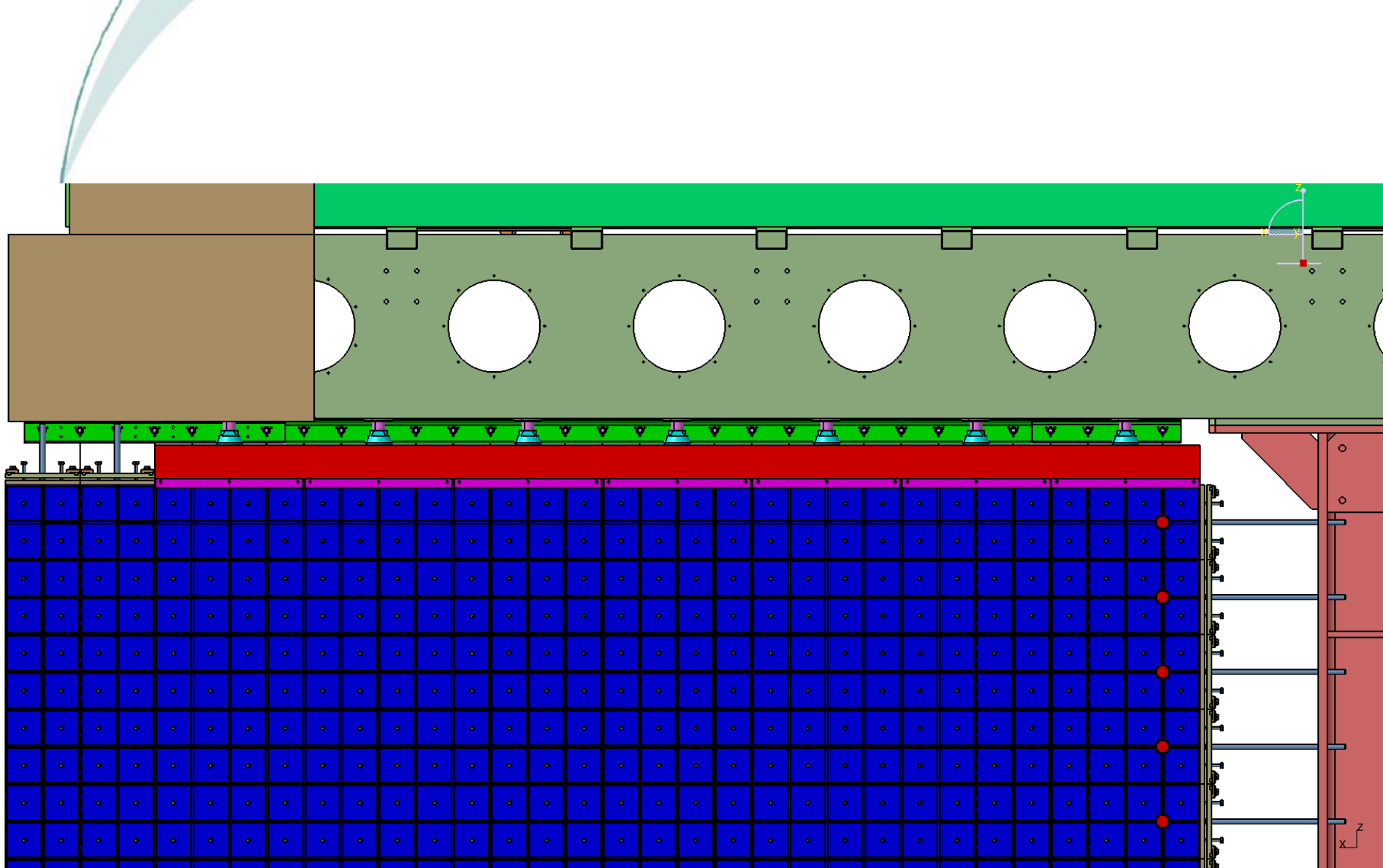


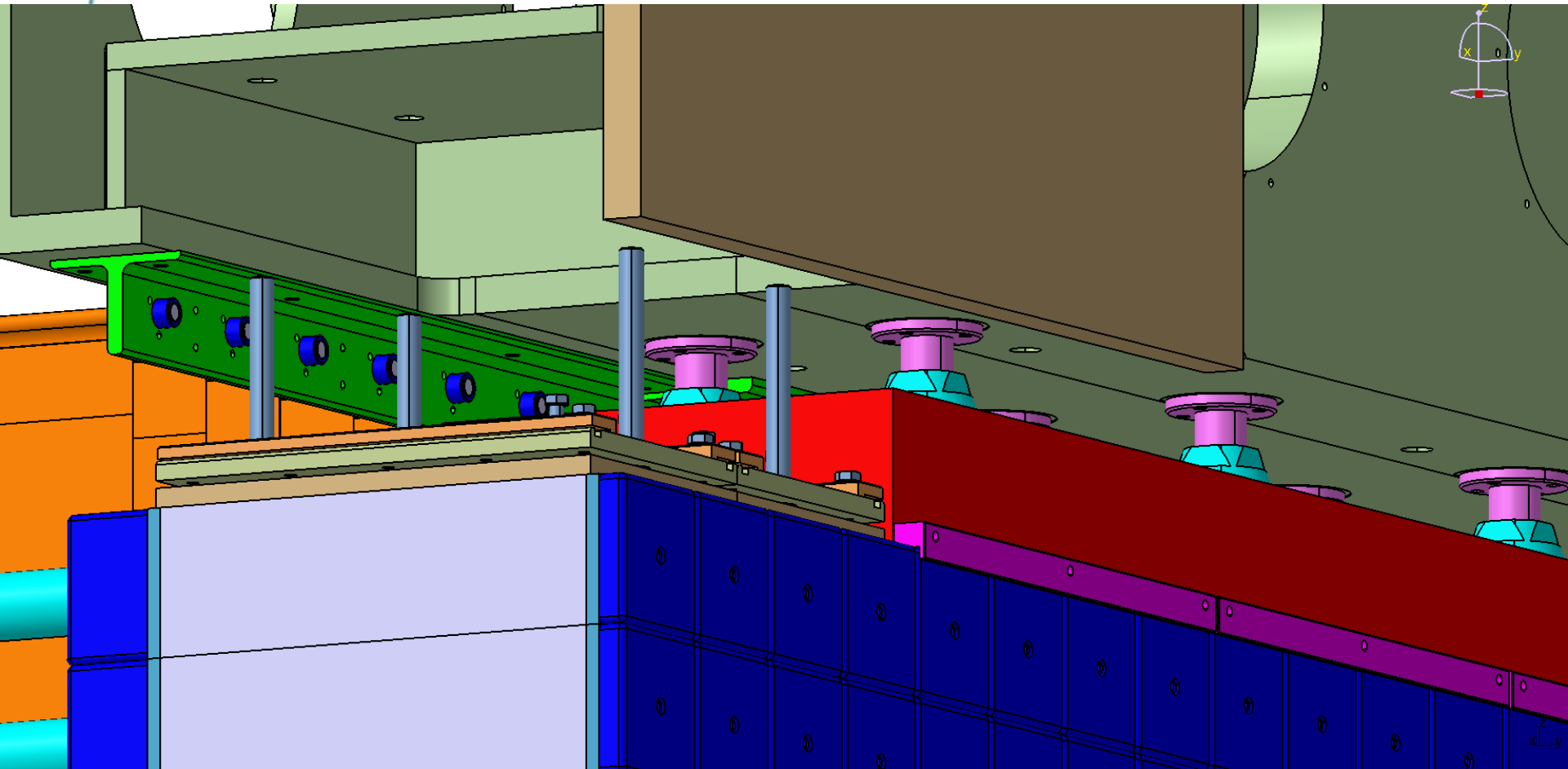


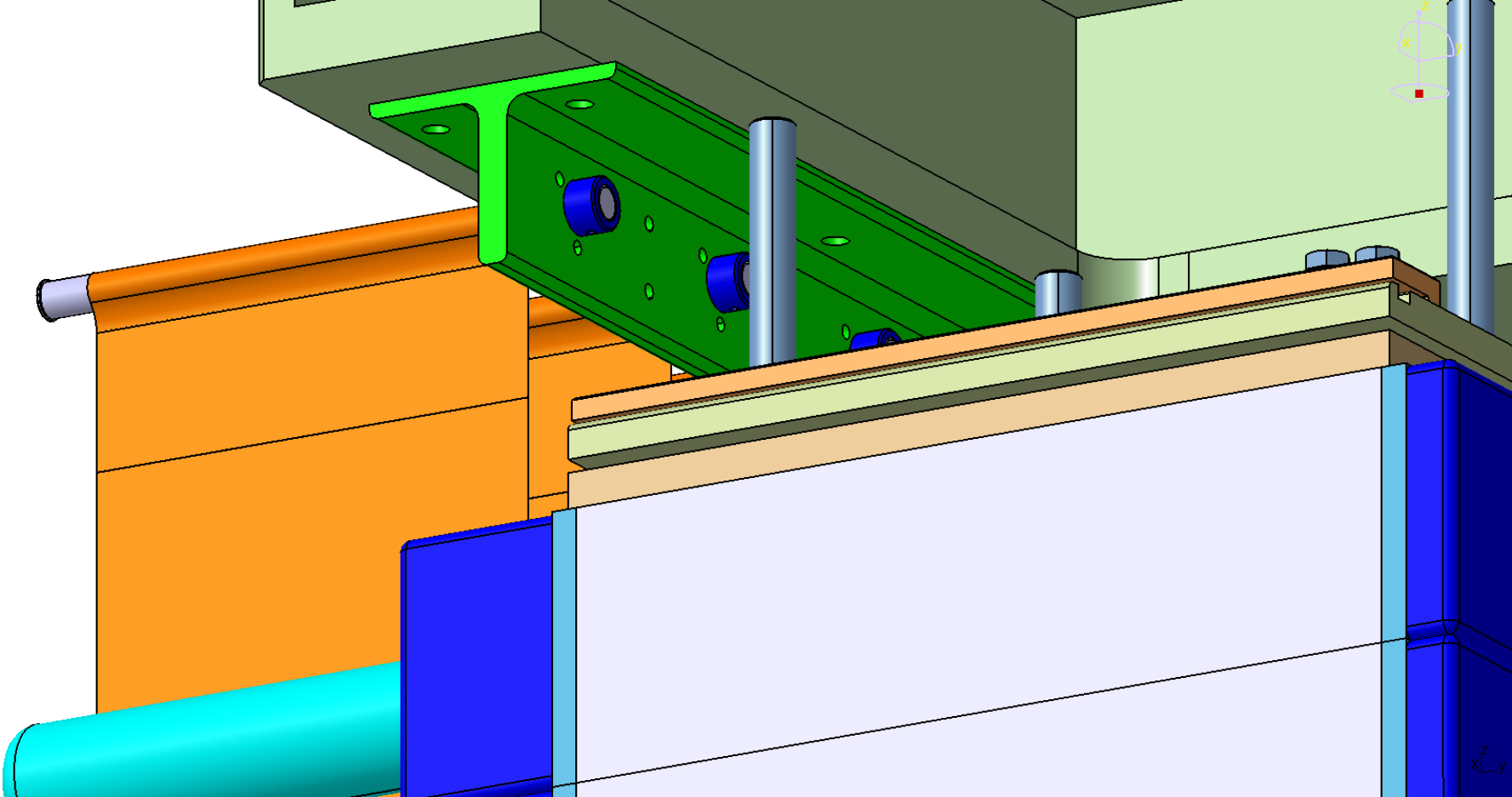
Metallic strip each 2 moduls

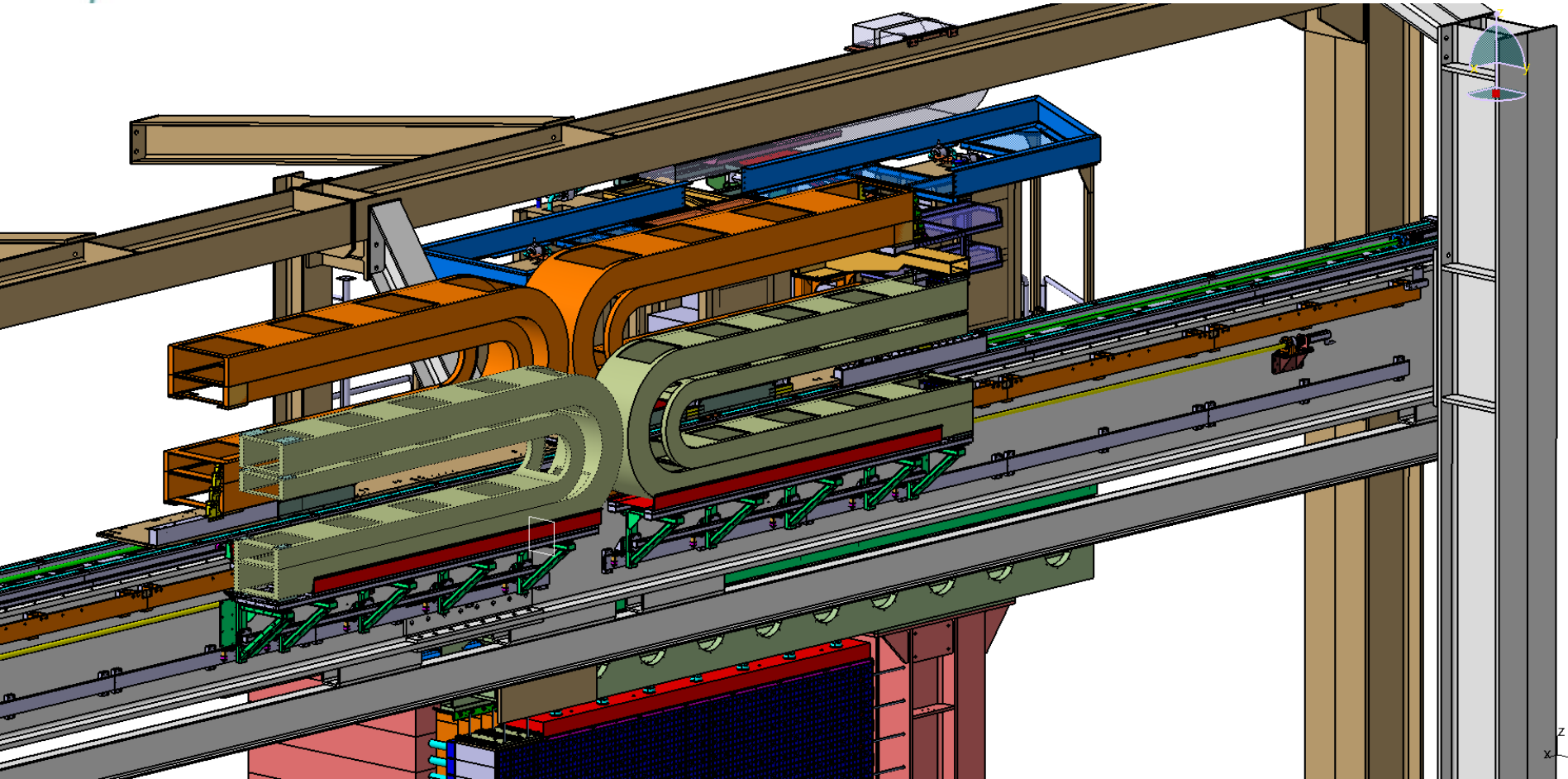


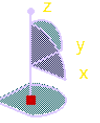
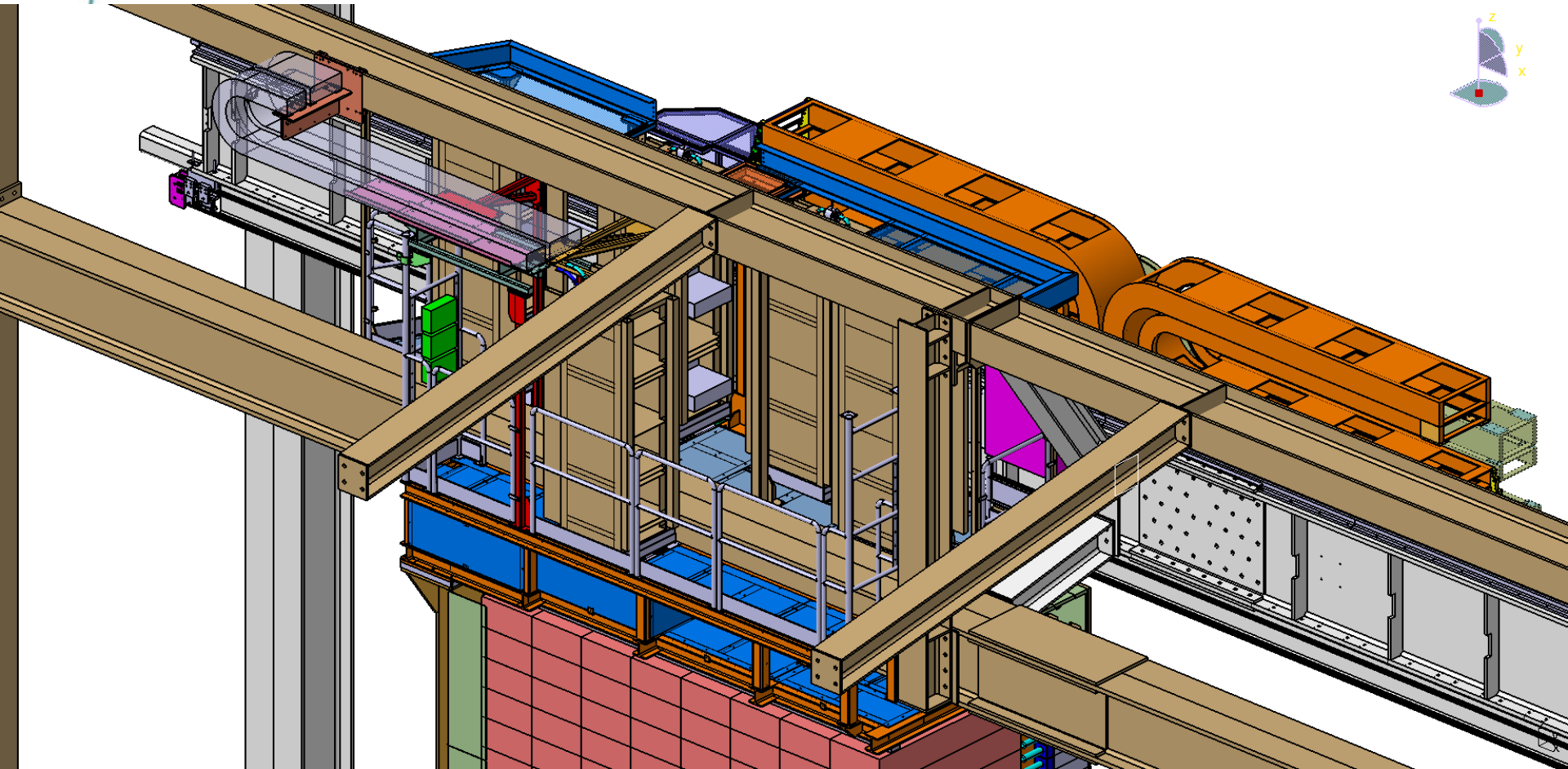


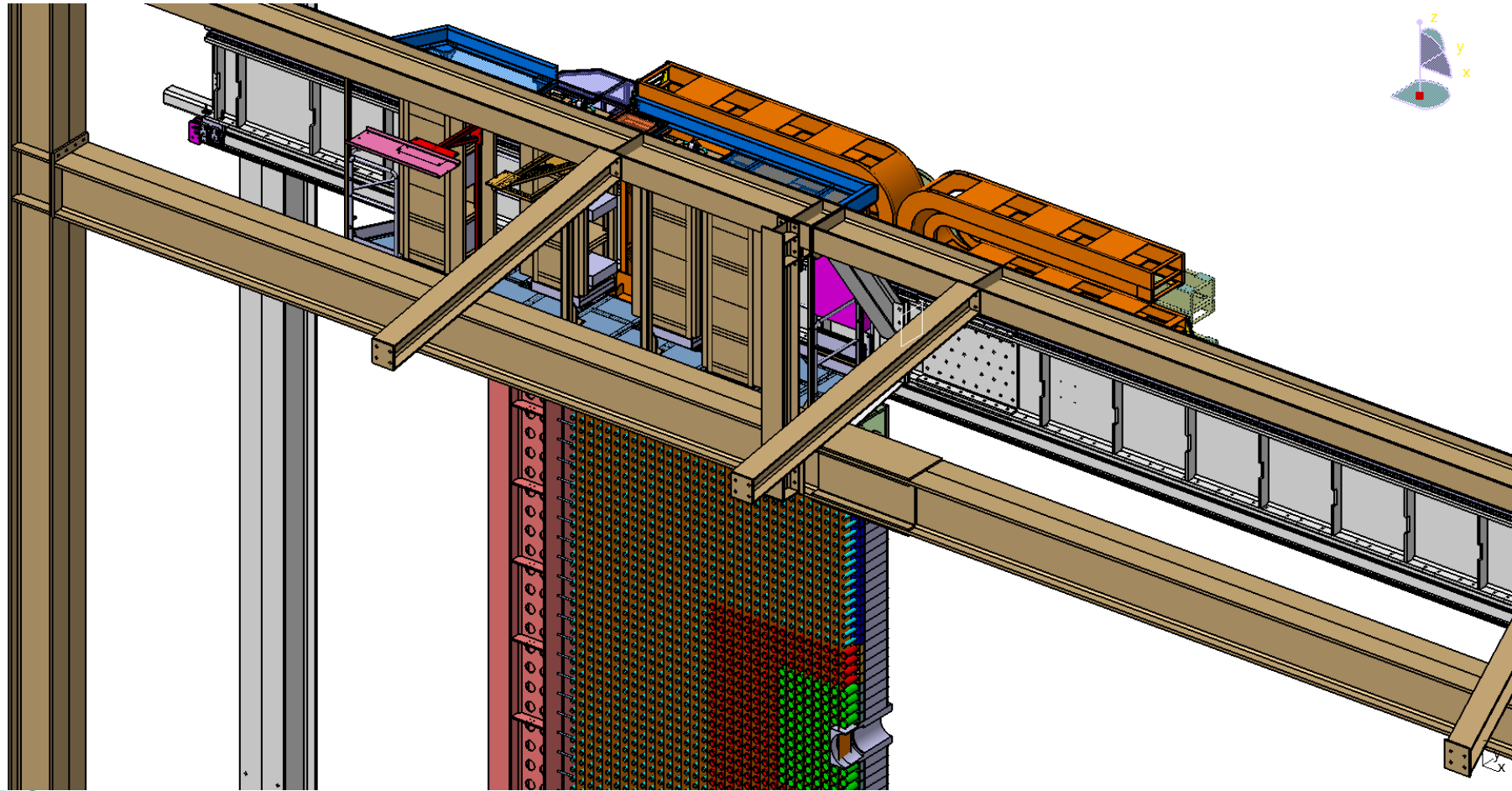


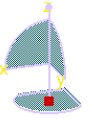
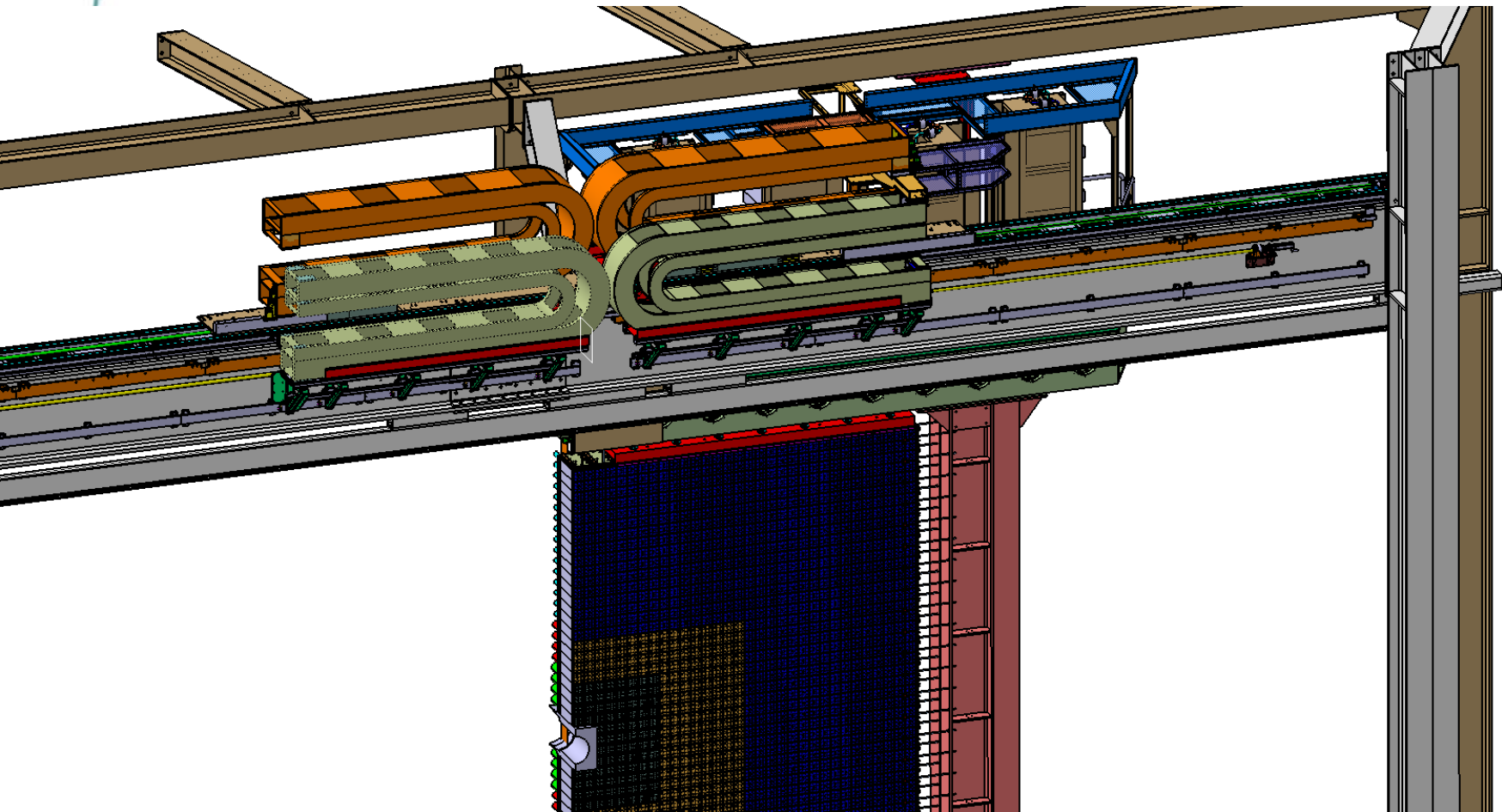


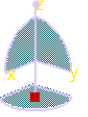
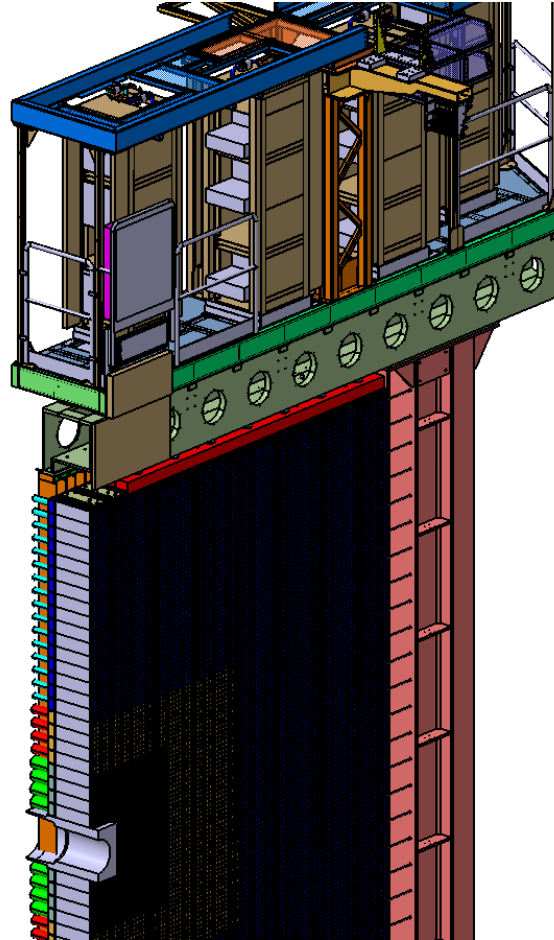


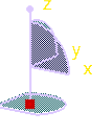
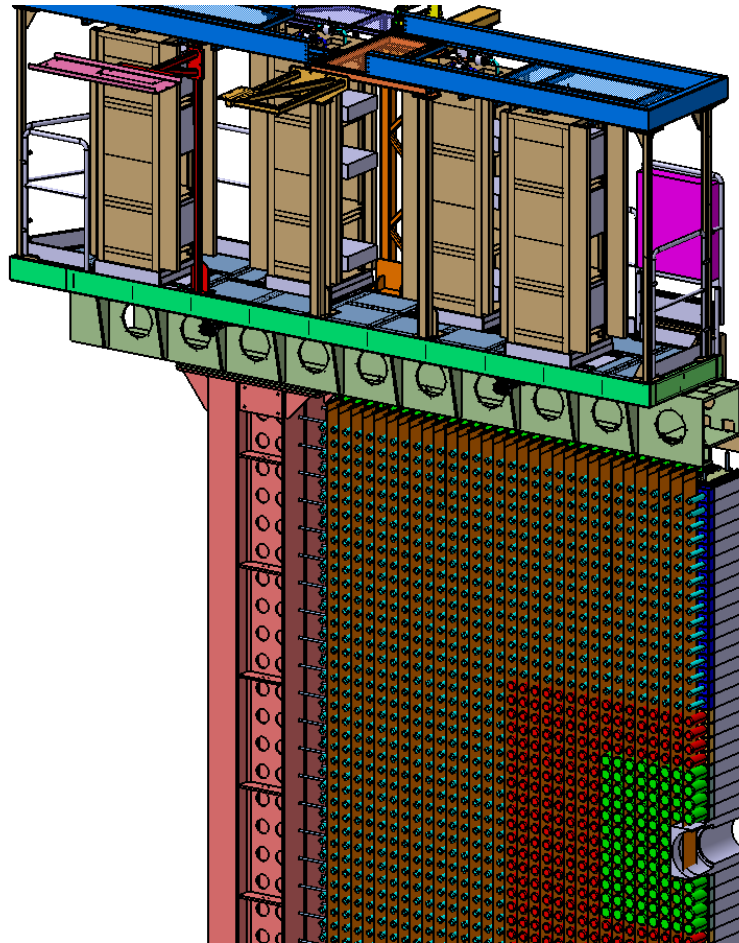












More easy

Less easy

