

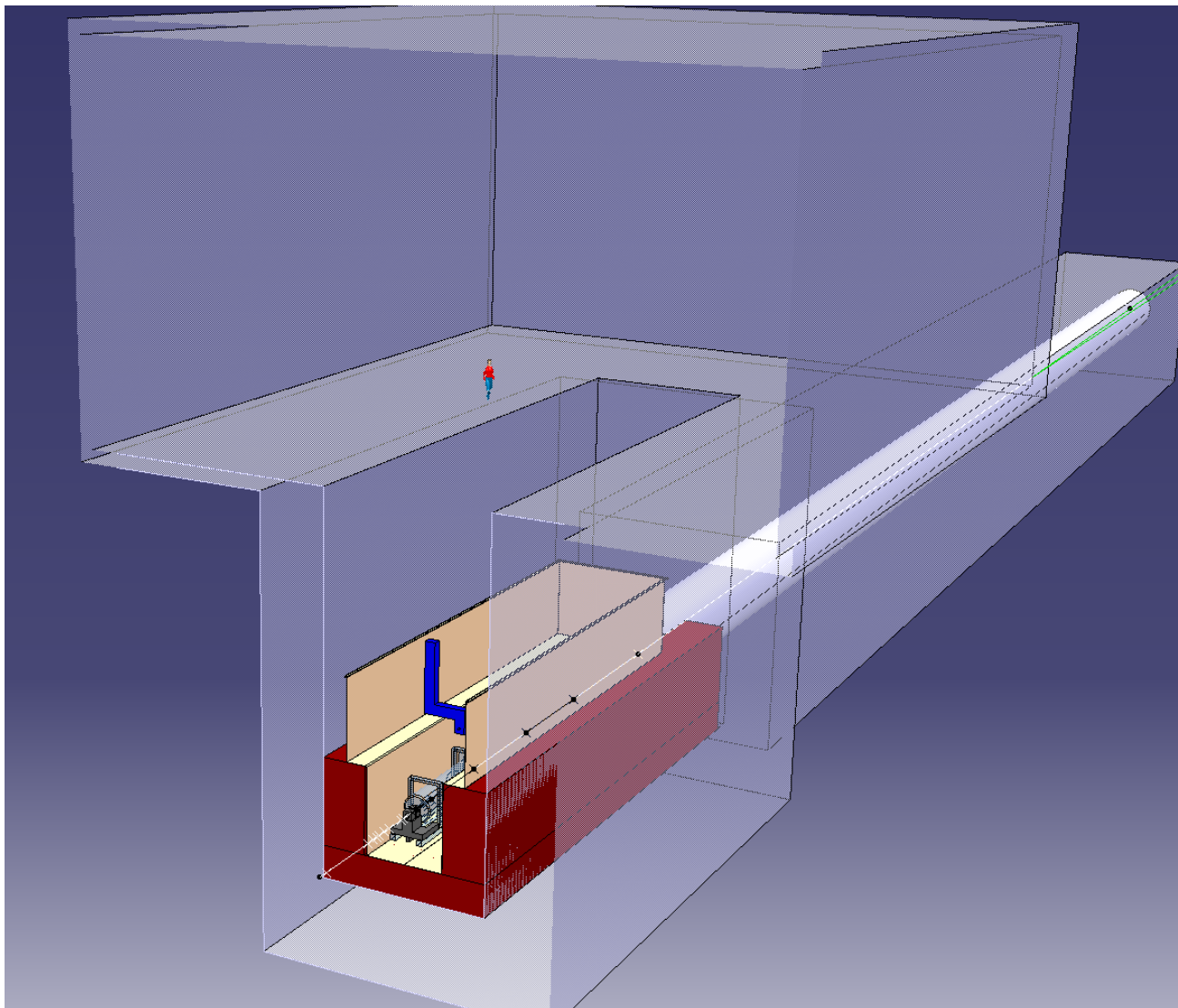
Status of the CENF integration and design studies

1st meeting

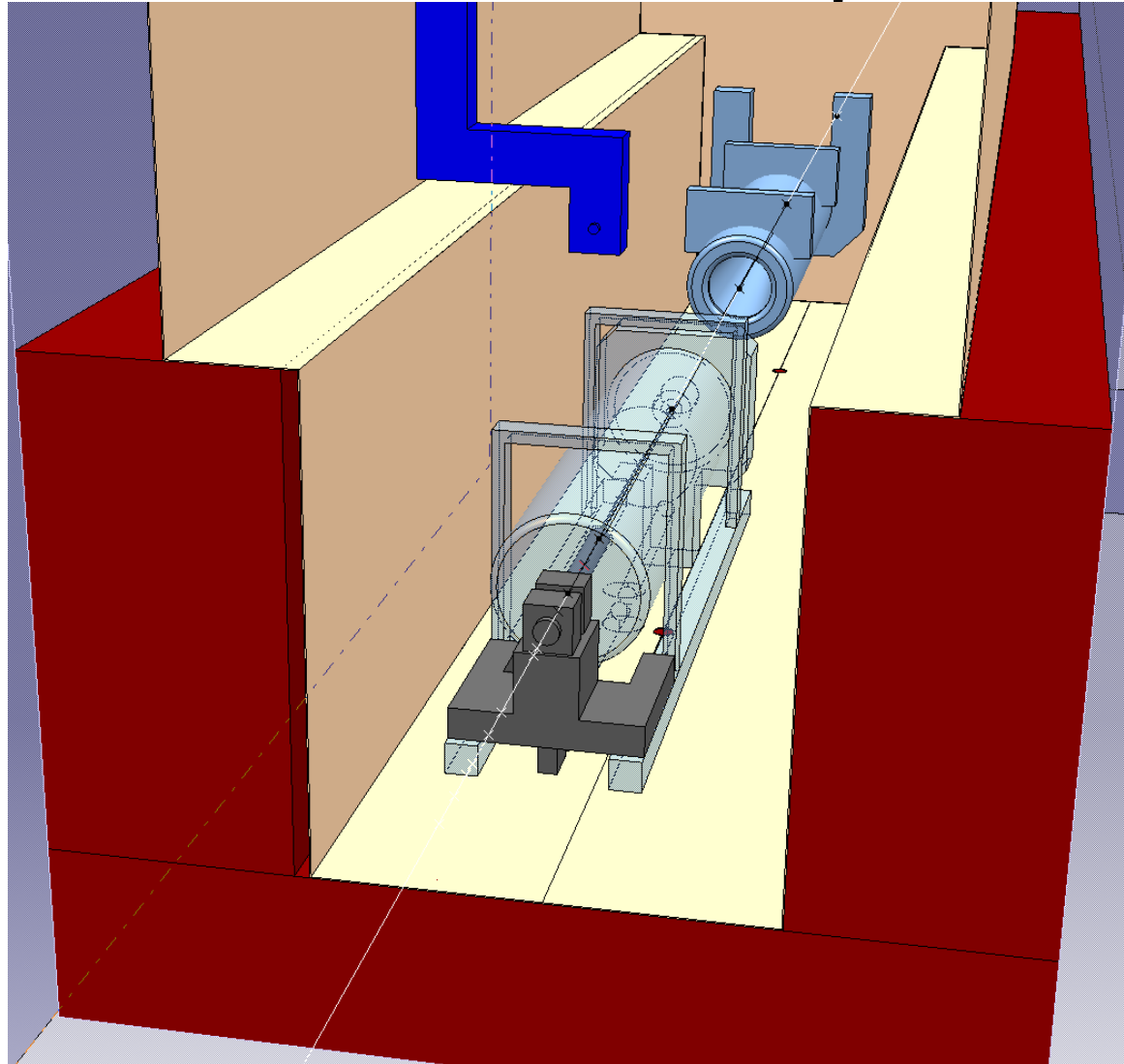
INTEGRATION EHN1

- Integration CATIA EHN1 buil. 887. Lausanne side first:
 - Scans → T. Dobers (BE-SU) meeting on Mo 6th @887
 - Beam lines + infrastructure → FSU EN-06 (EN-MEF): start next week
 - CE bat 887 → L. Faisandel (on going)

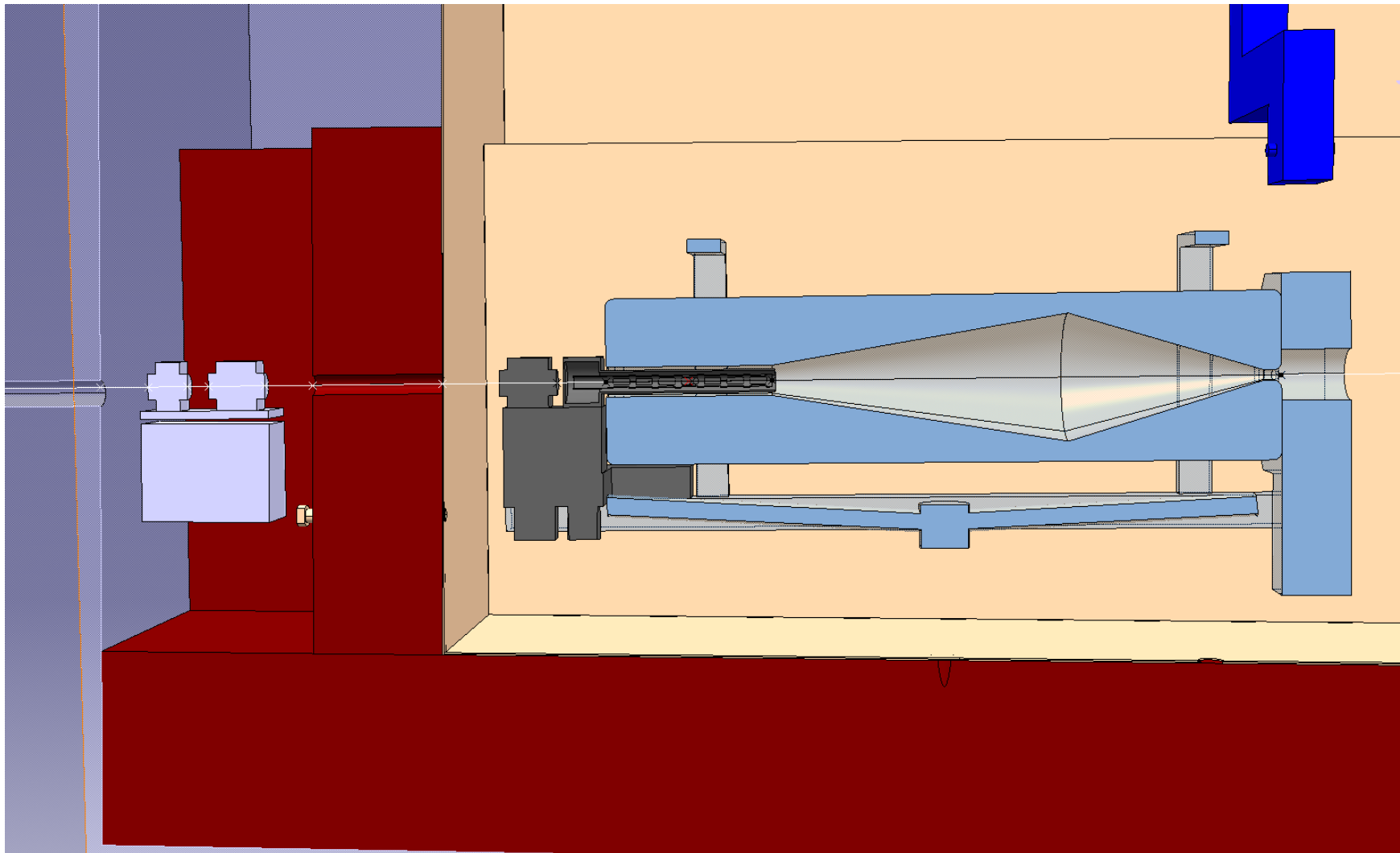
Target building



Helium sump



Target + horn



discussions

- Engineering choices....