

3D integration study for HIE-ISOLDE

Eleftherios Zografos(EN/MEF)*
28 November 2013

* The research project has been supported by a Marie Curie Early Initial Training Network Fellowship of the European Community's Seventh Programme under contract number (PITN-GA-2010-264330-CATHI)

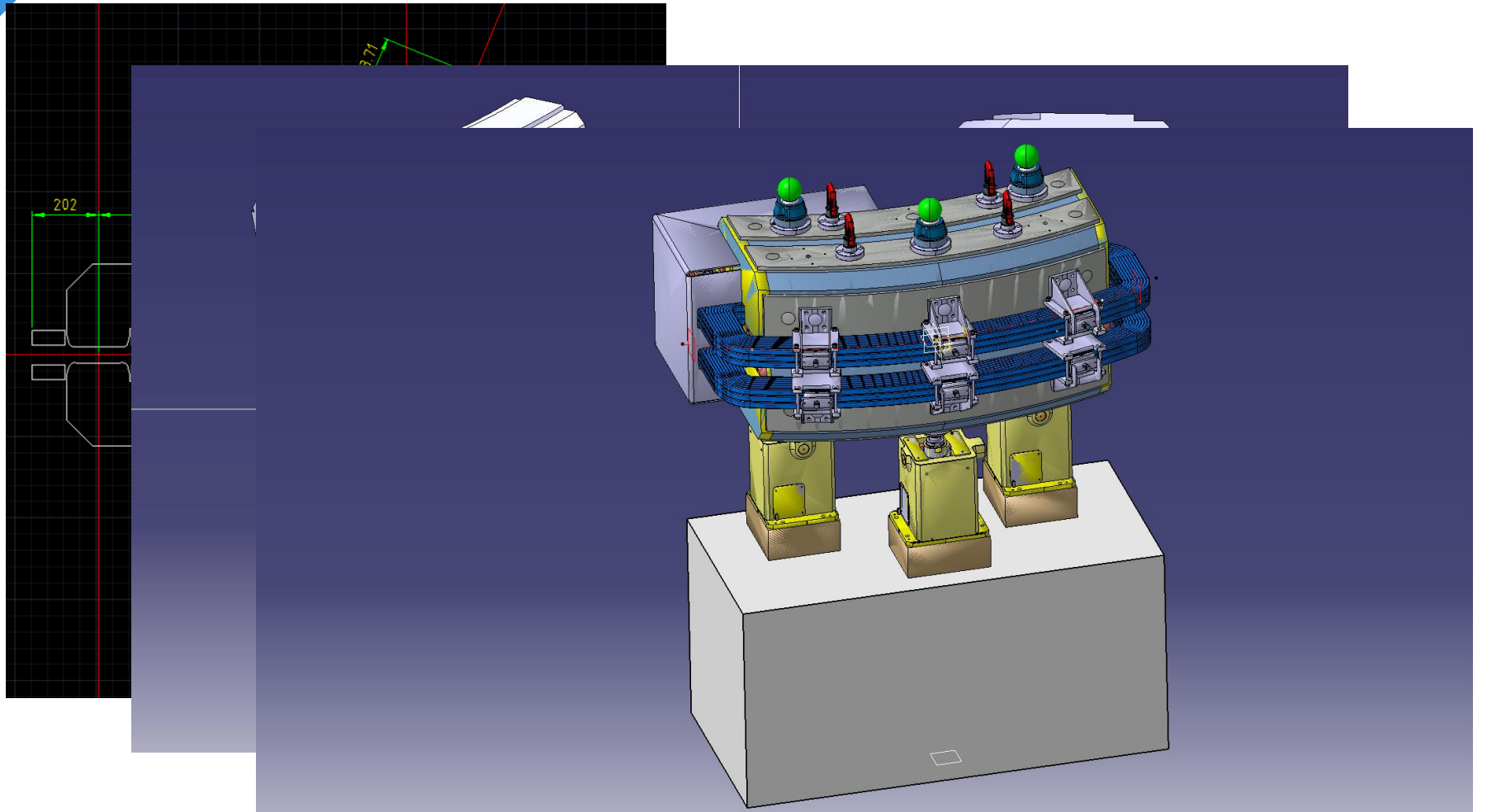
Outline

- + Evolution of the Layout
- + Installation Stages
- + Latest developments
- + “Hot” Spots & Open Issues
- + Conclusions

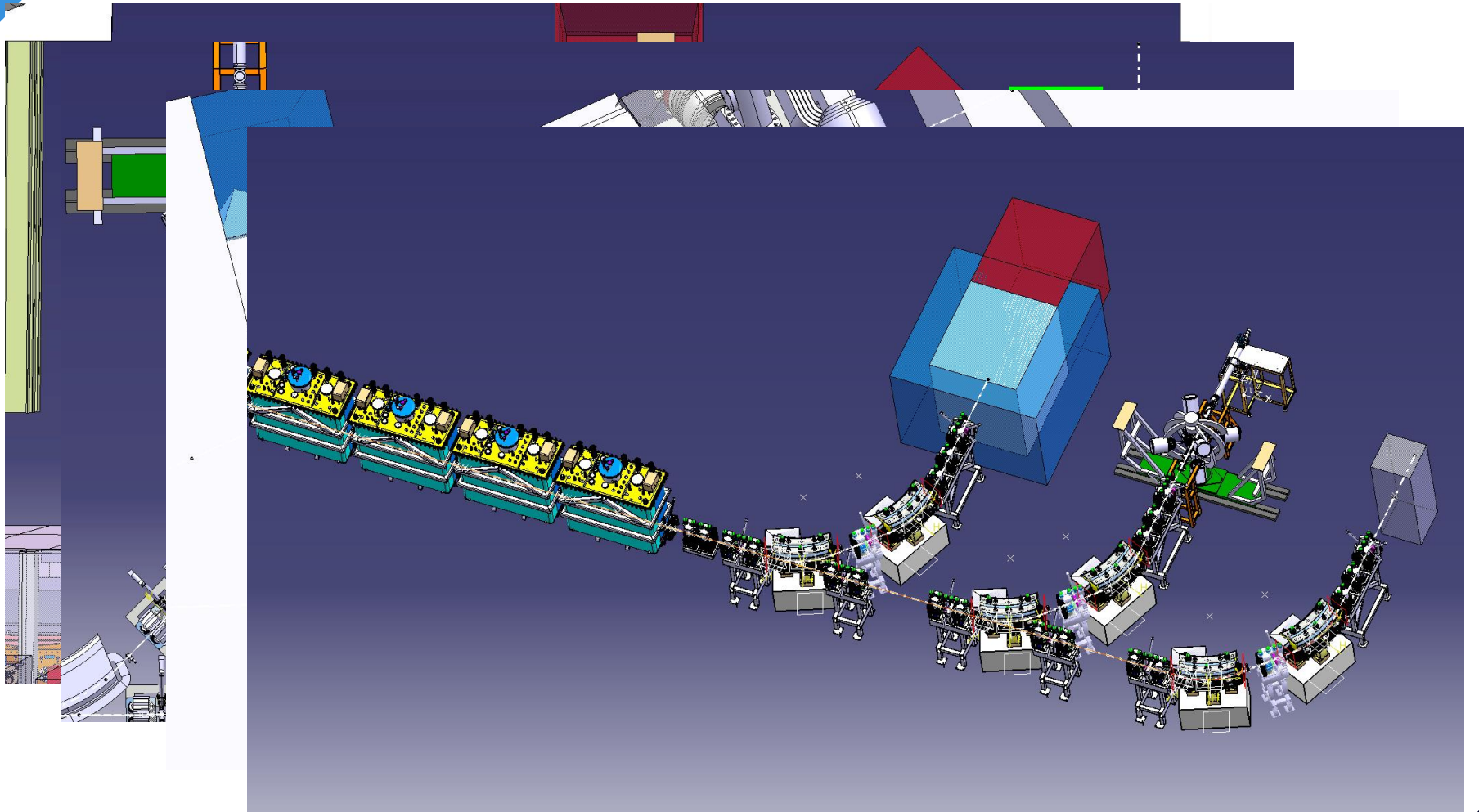
From REX to HIE-ISOLDE



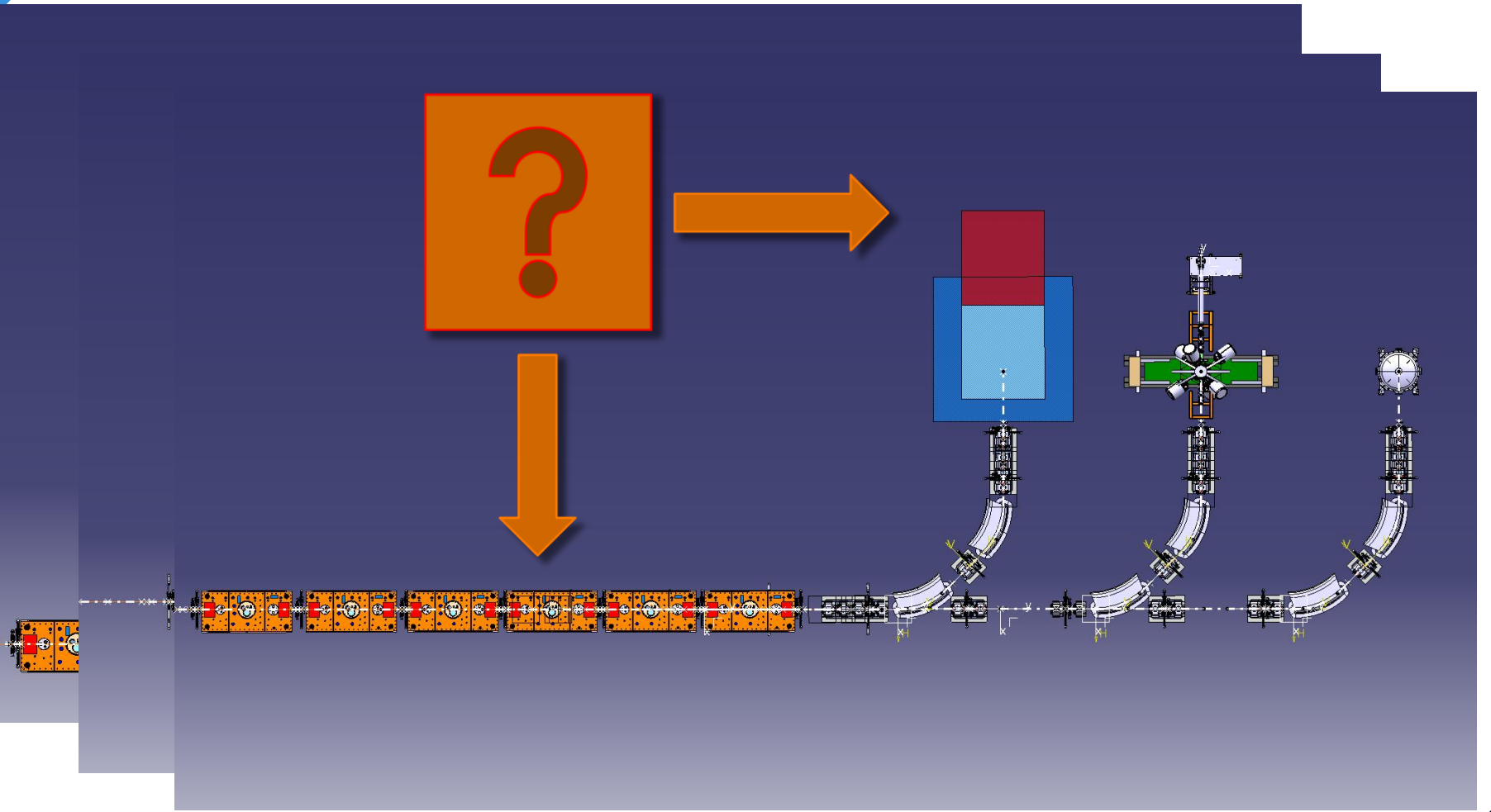
From Initial sketches to 3D integration



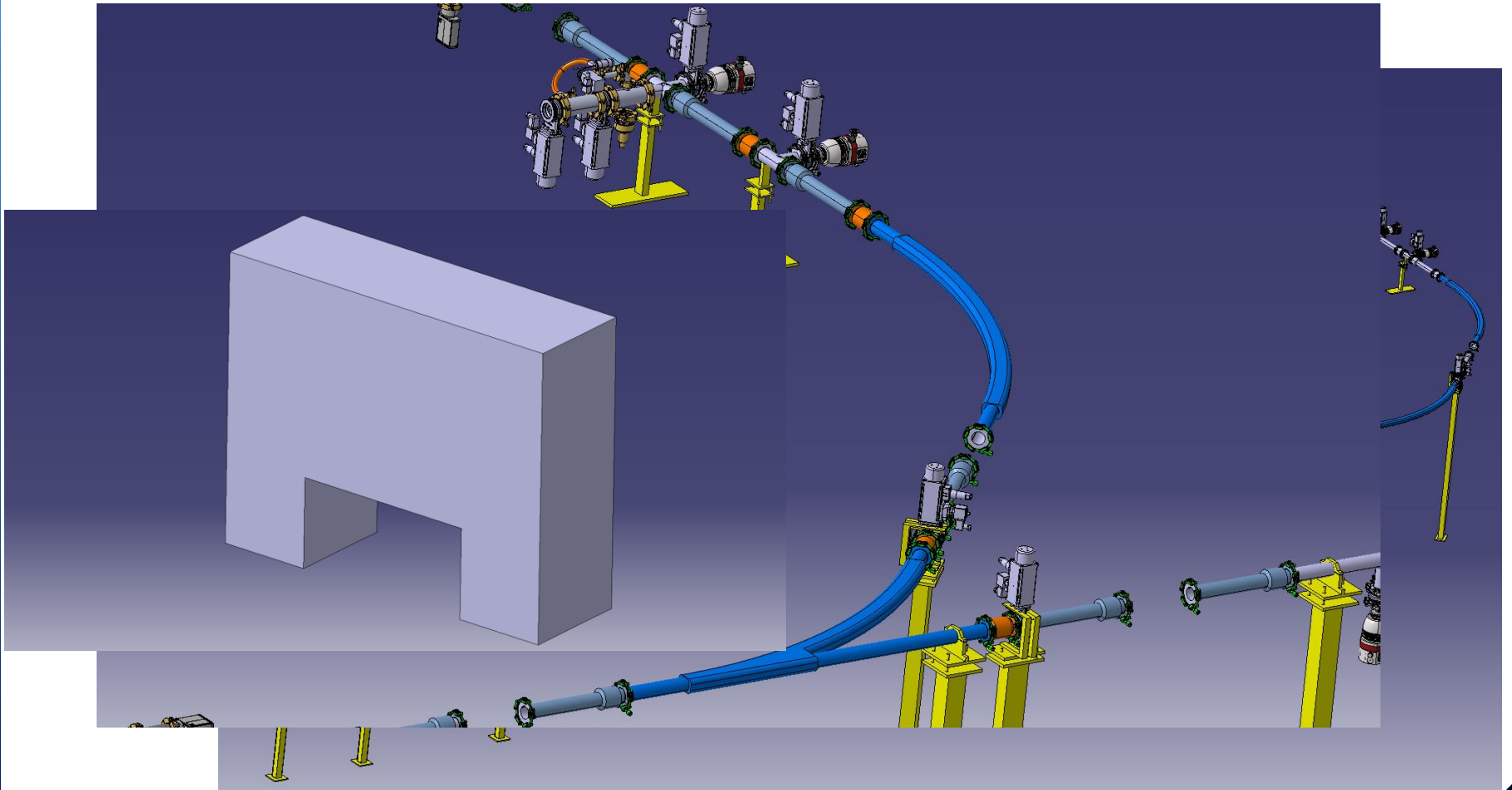
Layout evolution



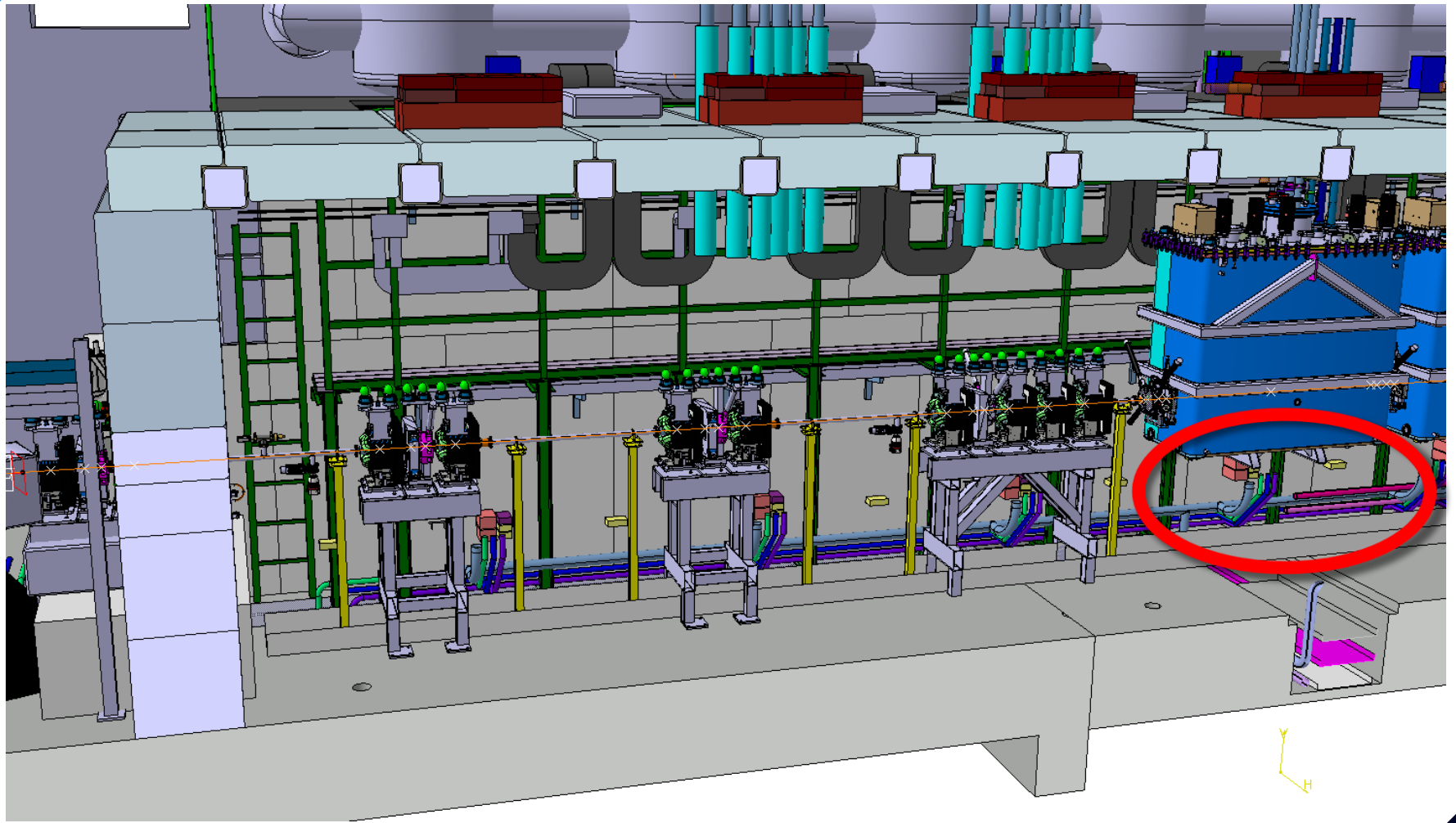
Installation Stages



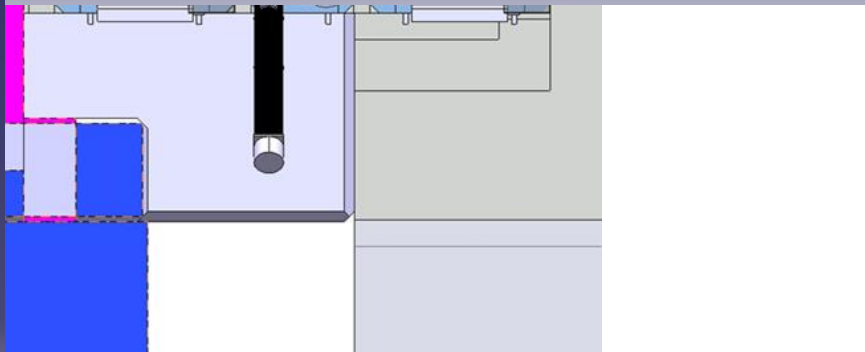
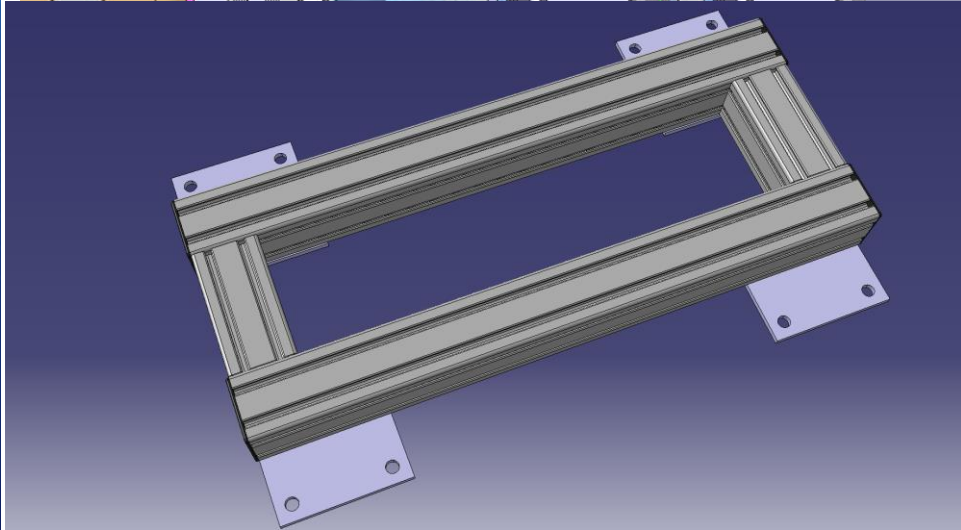
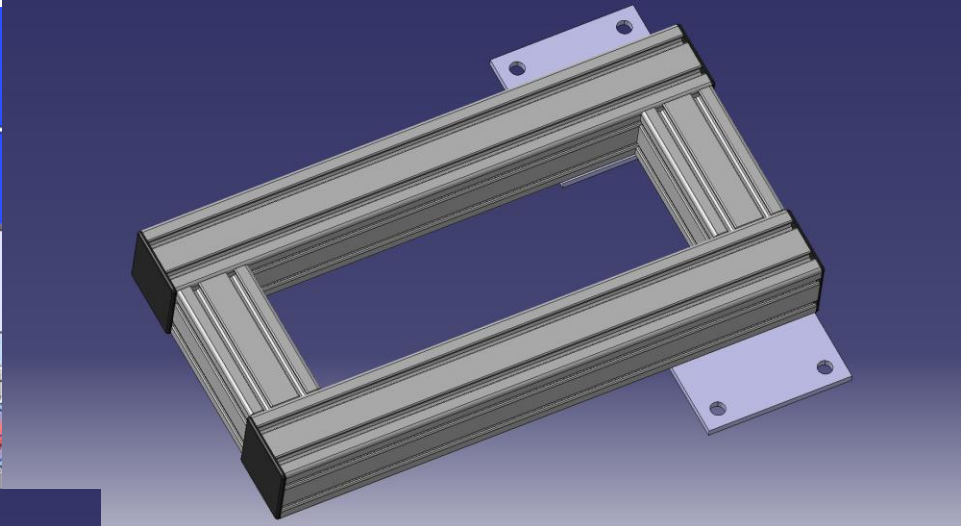
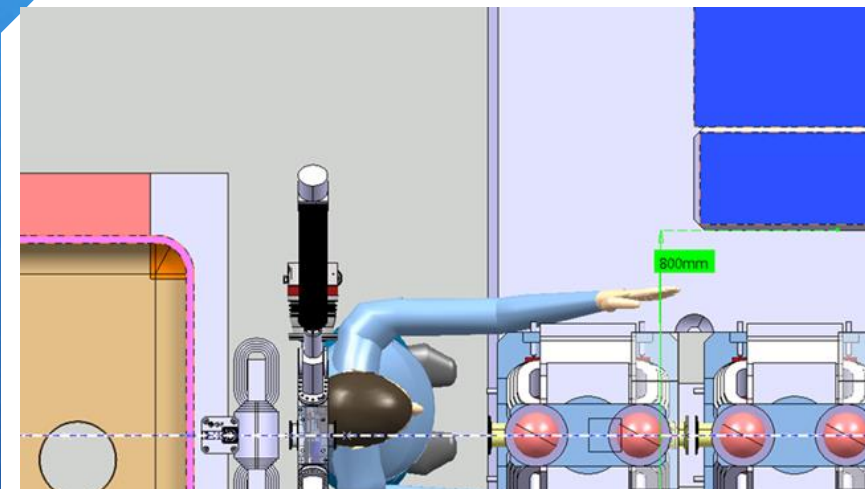
Latest developments



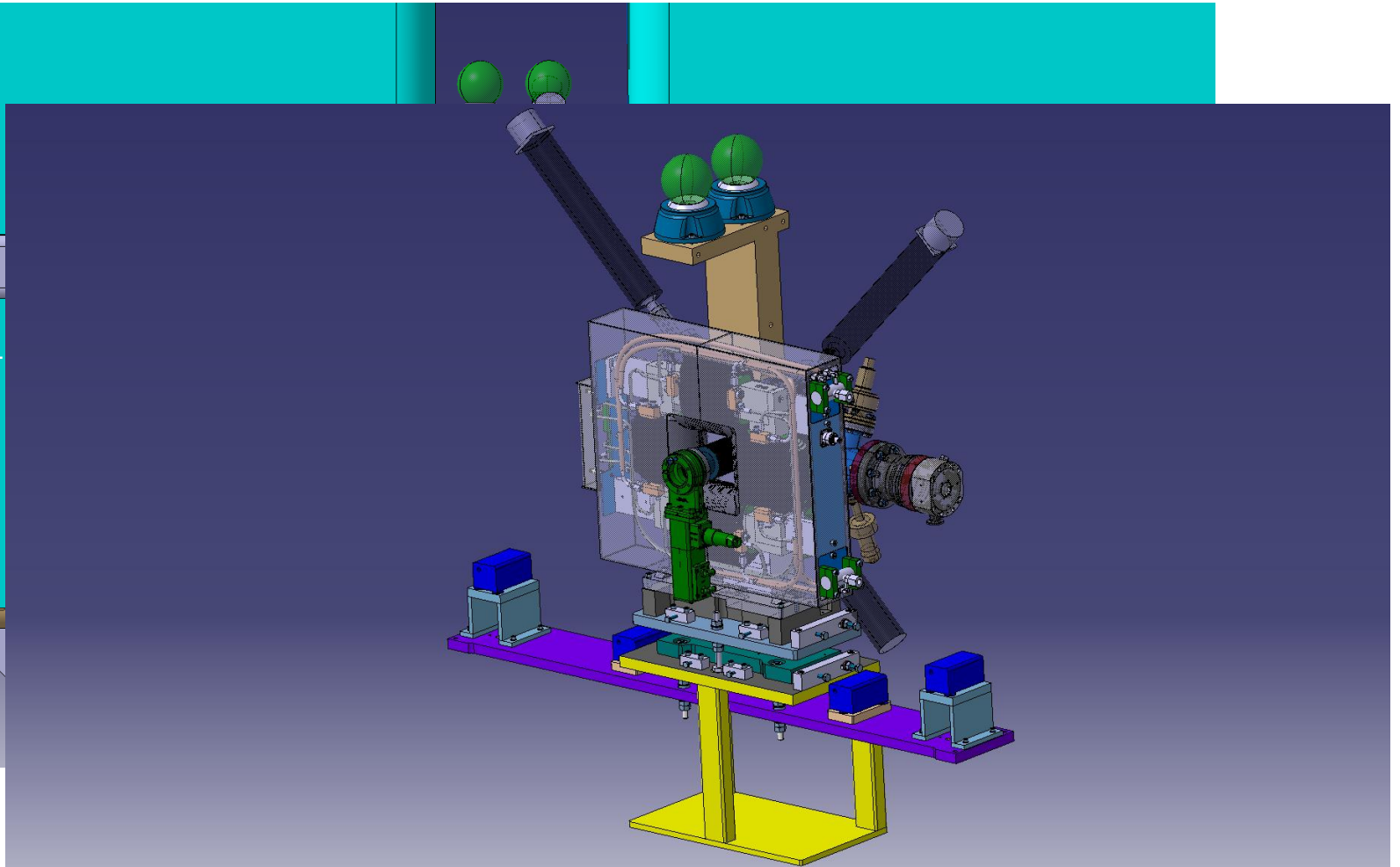
Tunnel integration



"Tight" spots I



“Tight” spots II



Conclusions

- + Stable Layout
- + Still to finalize installation stages and experiments
- + Get the missing models (Dboxes, vacuum equipment, supports for cryomodules, intertanks and vacuum)
- + Re-iterate on tricky spots and interfaces with services

Thank you!
Questions?