

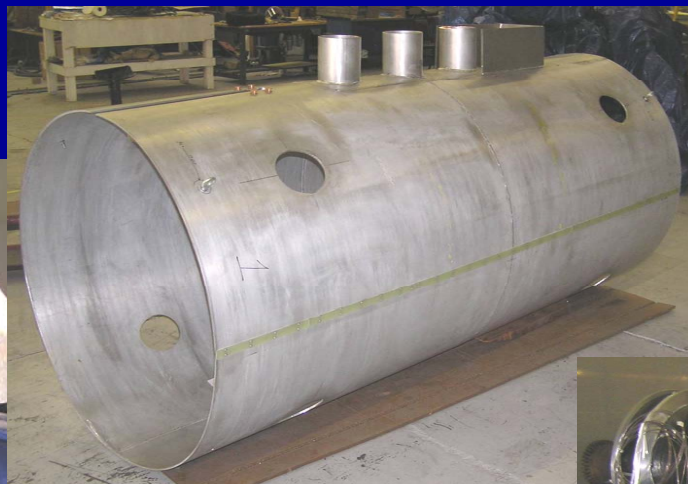
Spectrometer Solenoid Fabrication Status and Schedule

MICE CM20 @ RAL

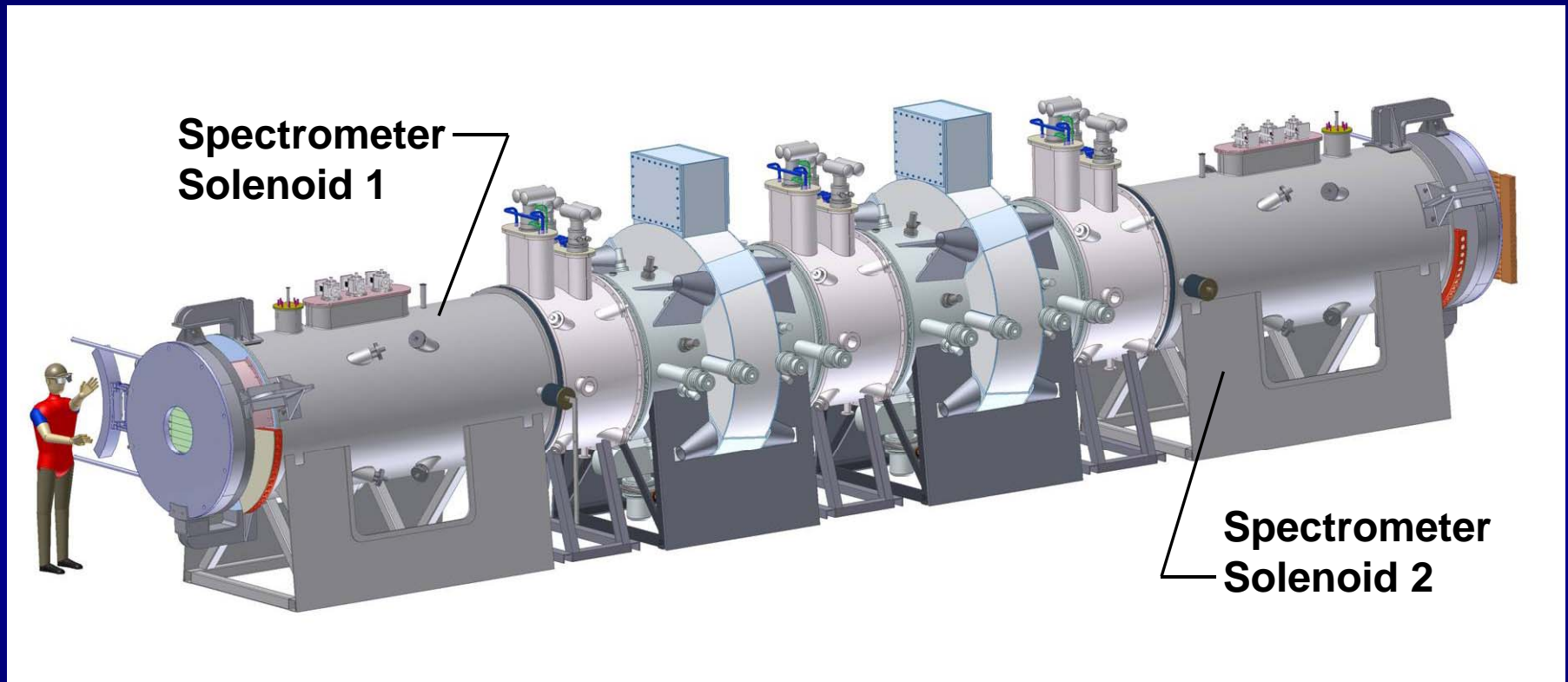
February 11, 2008

Steve Virostek

Lawrence Berkeley National Lab



MICE Cooling Channel Layout



Steve Virostek -- Lawrence Berkeley National Laboratory -- February 11, 2008

MICE Spectrometer Solenoid Fabrication Update and Schedule Status

Page 2

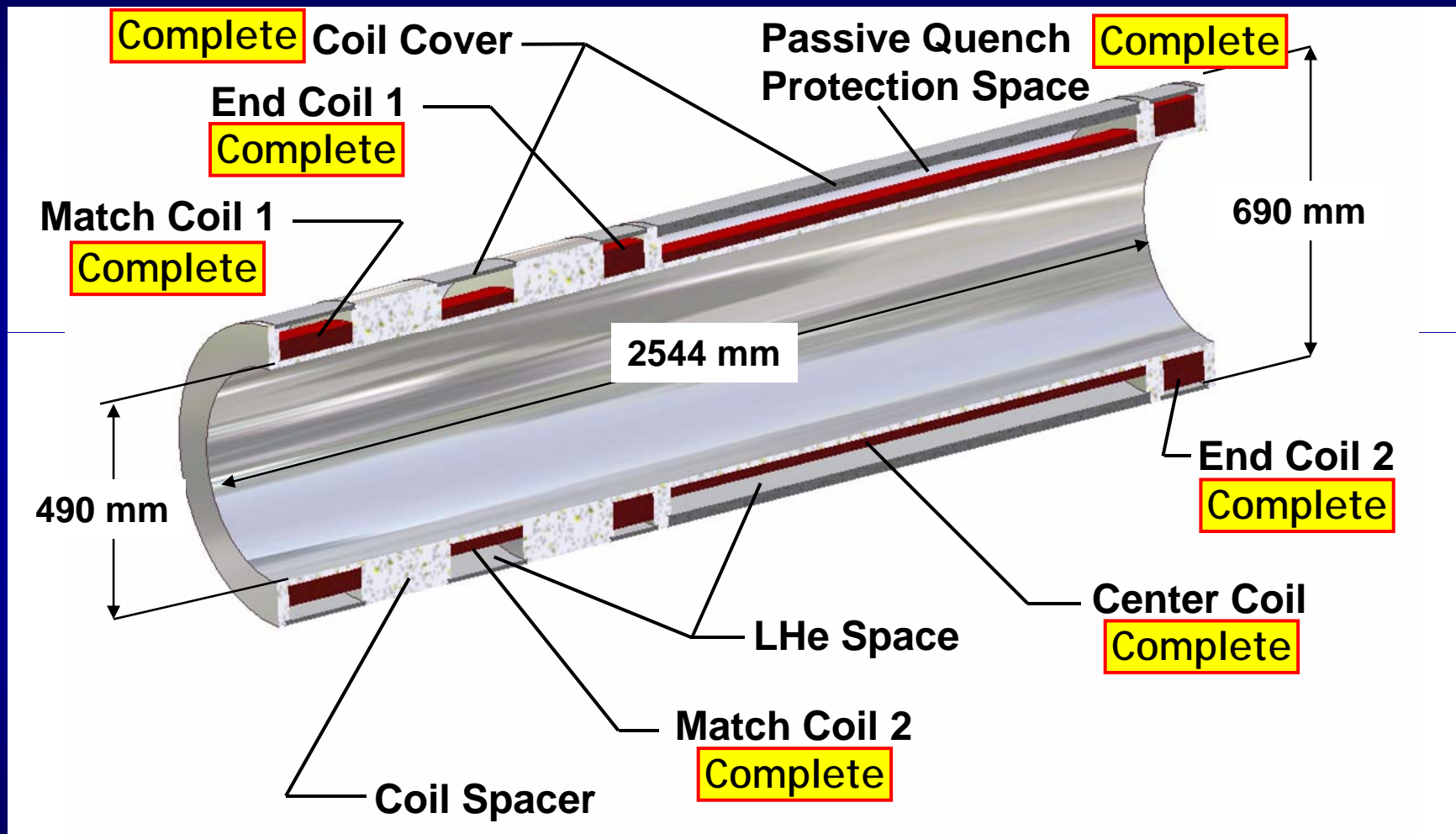


Summary

- Completion of first magnet has been delayed by an problem with cold mass support clearances
- Currently expect vendor testing and shipping to FNAL to be complete by the end of March
- Coil winding and banding of 2nd magnet finished
- Completion of the second magnet to follow the first by two to three months



Spectrometer Solenoid Cold Mass #1



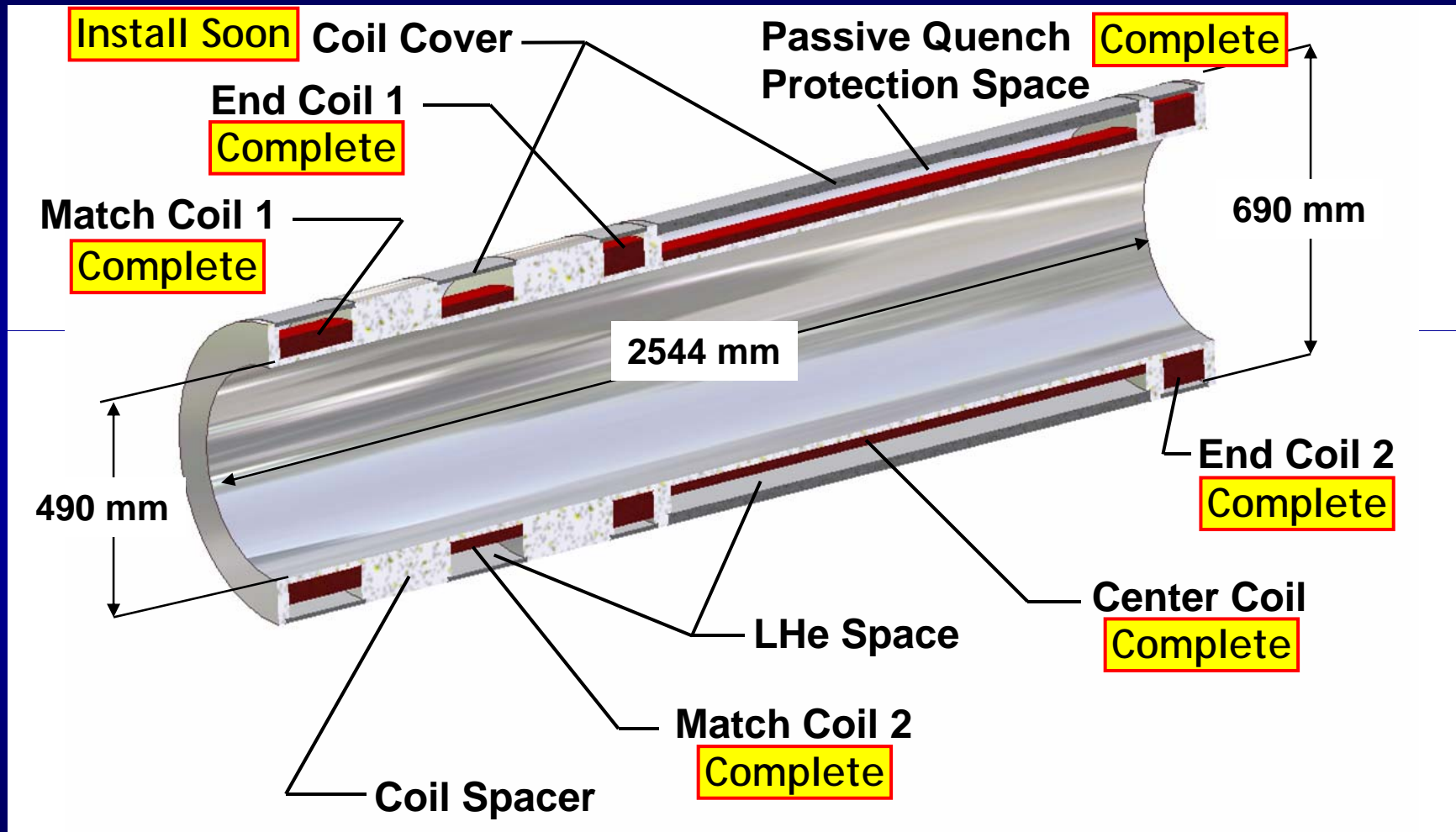
Steve Virostek -- Lawrence Berkeley National Laboratory -- February 11, 2008

MICE Spectrometer Solenoid Fabrication Update and Schedule Status

Page 4



Spectrometer Solenoid Cold Mass #2



Steve Virostek -- Lawrence Berkeley National Laboratory -- February 11, 2008

MICE Spectrometer Solenoid Fabrication Update and Schedule Status

Page 5



Completed Cold Mass Assembly - Magnet #1



Cold mass prior to welding of support bands



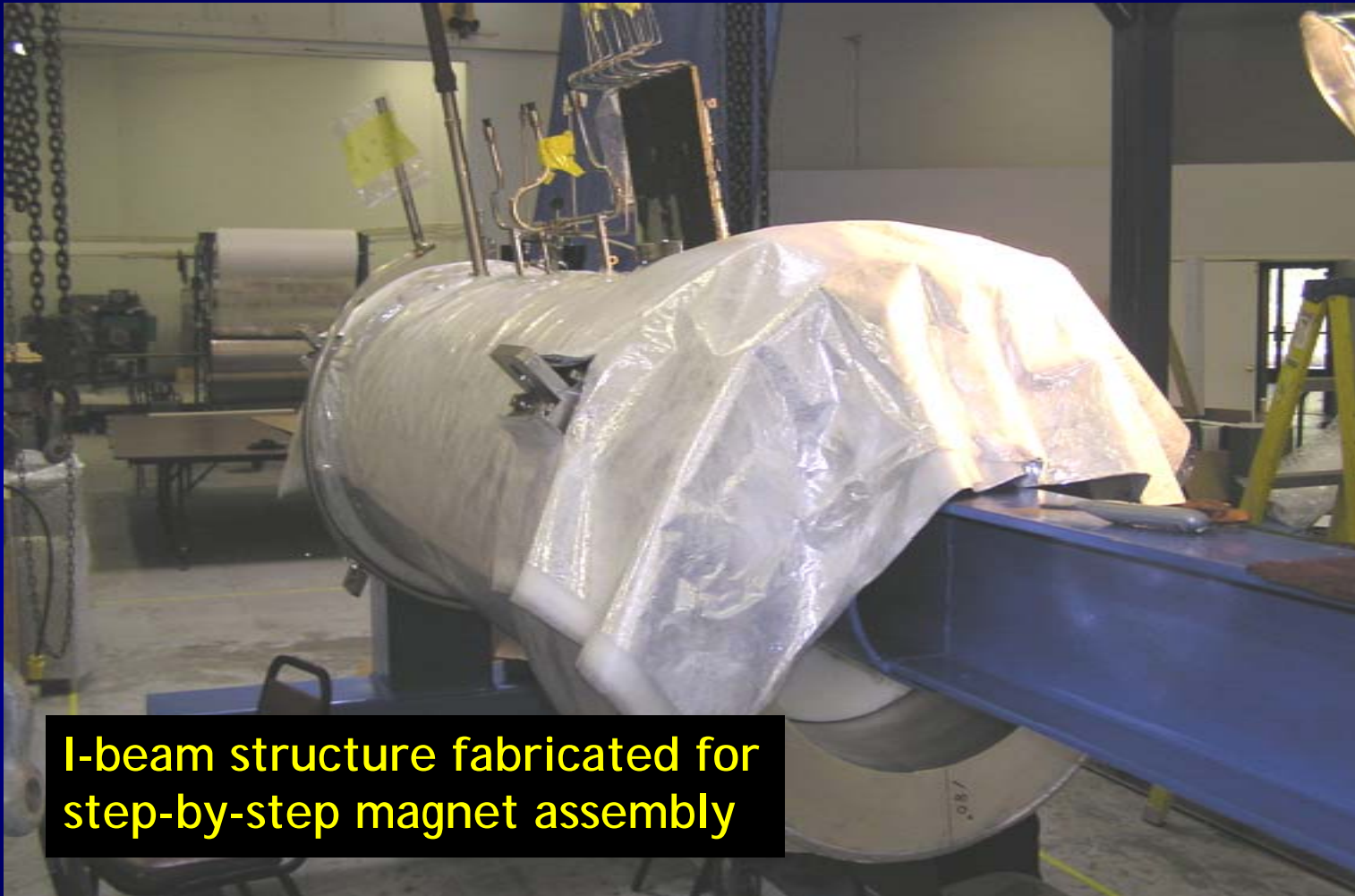
Steve Virostek -- Lawrence Berkeley National Laboratory -- February 11, 2008

MICE Spectrometer Solenoid Fabrication Update and Schedule Status

Page 6



MLI Wrapping of Cold Mass Assembly



I-beam structure fabricated for step-by-step magnet assembly



Steve Virostek -- Lawrence Berkeley National Laboratory -- February 11, 2008

MICE Spectrometer Solenoid Fabrication Update and Schedule Status

Page 7



Outer Thermal Shield



**Shield assembled from
3/16" aluminum sheet**



Steve Virostek -- Lawrence Berkeley National Laboratory -- February 11, 2008

MICE Spectrometer Solenoid Fabrication Update and Schedule Status

Page 8



MLI Wrapped Thermal Shield



Steve Virostek -- Lawrence Berkeley National Laboratory -- February 11, 2008

MICE Spectrometer Solenoid Fabrication Update and Schedule Status

Page 9



Installation of Thermal Shield over Cold Mass



Steve Virostek -- Lawrence Berkeley National Laboratory -- February 11, 2008

MICE Spectrometer Solenoid Fabrication Update and Schedule Status

Page 10



Installation of Thermal Shield over Cold Mass



Thermal shield is positioned with hoist during installation



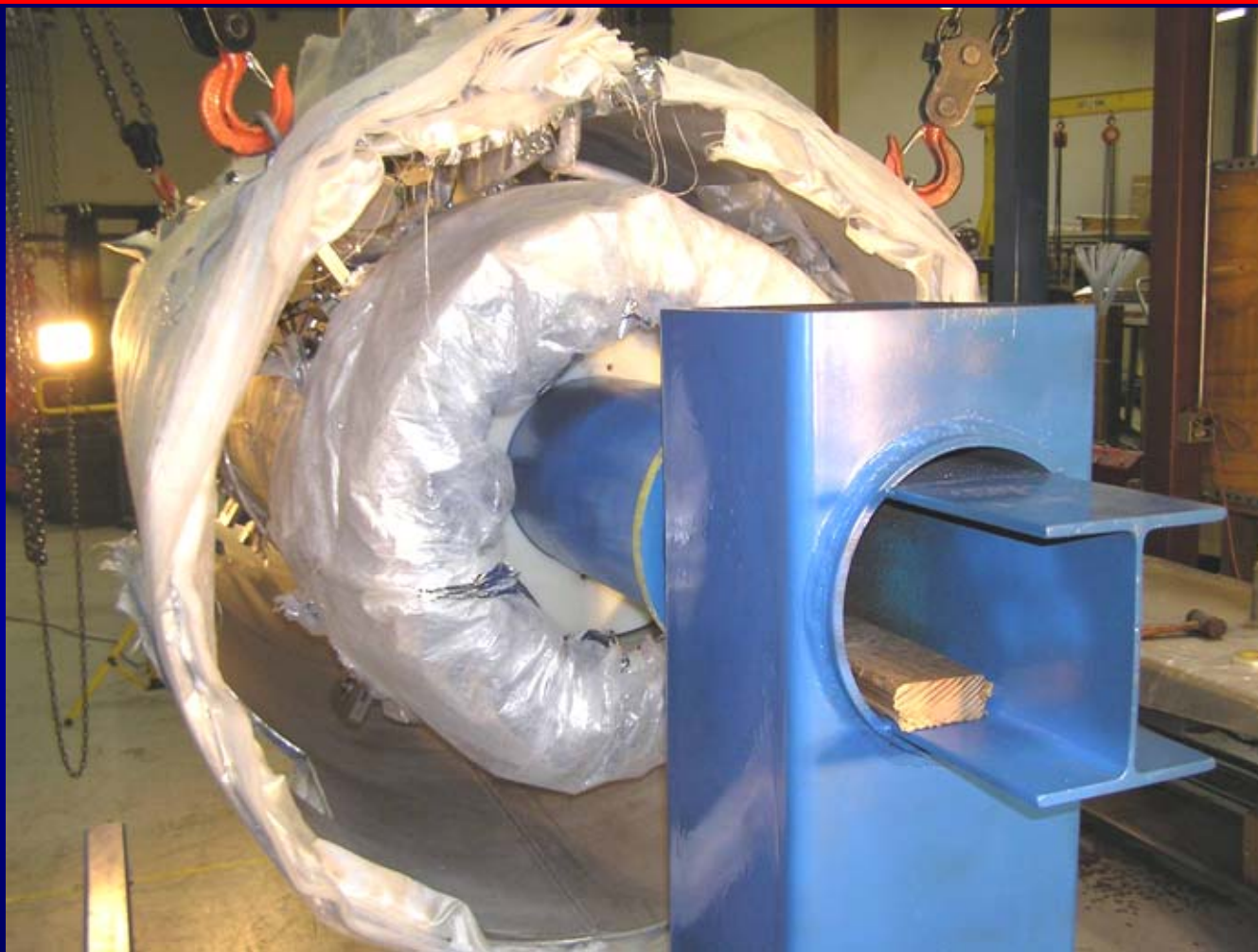
Steve Virostek -- Lawrence Berkeley National Laboratory -- February 11, 2008

MICE Spectrometer Solenoid Fabrication Update and Schedule Status

Page 11



Installation of Thermal Shield over Cold Mass



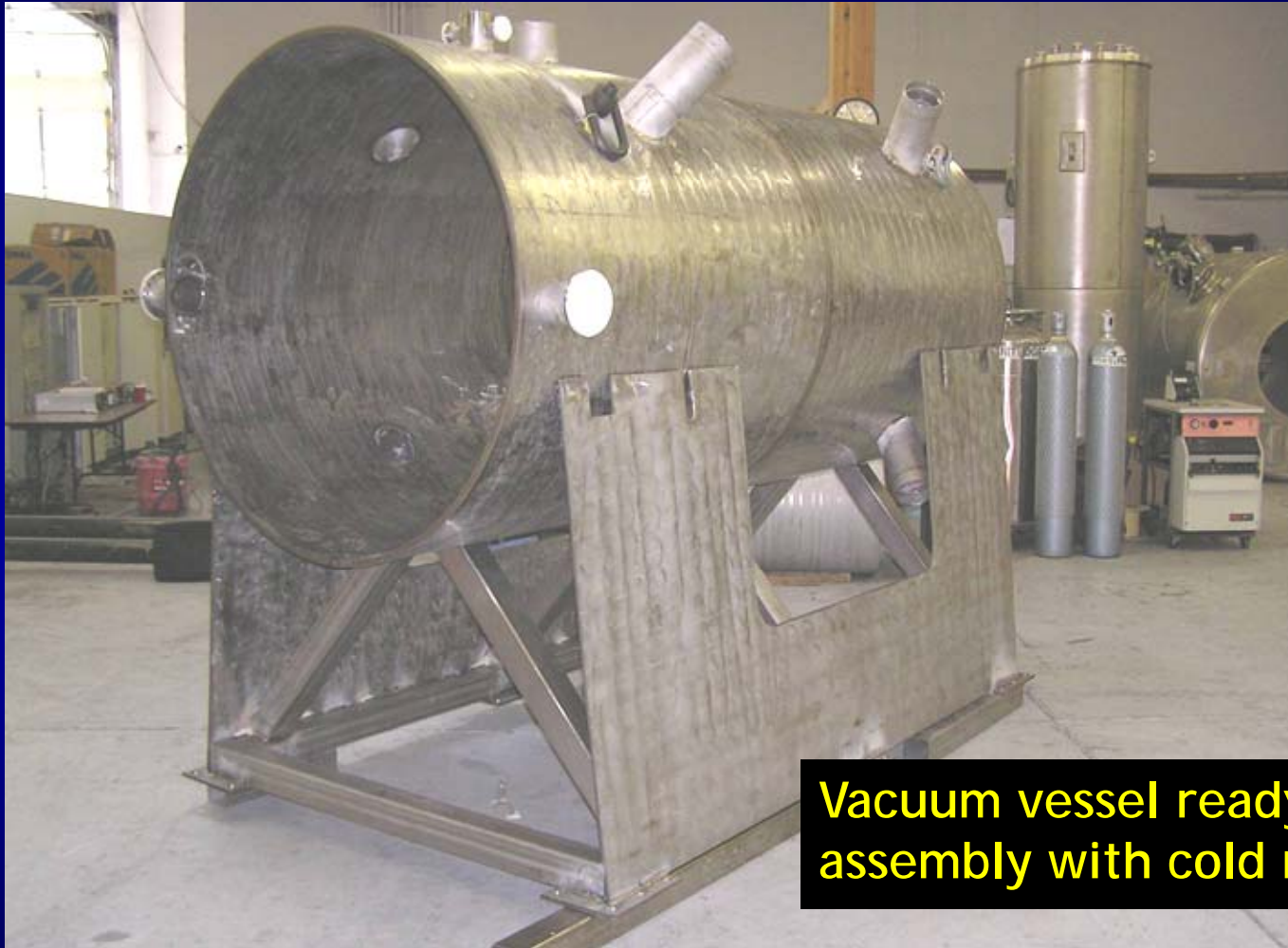
Steve Virostek -- Lawrence Berkeley National Laboratory -- February 11, 2008

MICE Spectrometer Solenoid Fabrication Update and Schedule Status

Page 12



Vacuum Vessel and Support Stand



Vacuum vessel ready for assembly with cold mass



Steve Virostek -- Lawrence Berkeley National Laboratory -- February 11, 2008

MICE Spectrometer Solenoid Fabrication Update and Schedule Status

Page 13



Inner Vacuum Vessel



Steve Virostek -- Lawrence Berkeley National Laboratory -- February 11, 2008

MICE Spectrometer Solenoid Fabrication Update and Schedule Status

Page 14



Service Tower Assembly



Service tower accommodates
3 cryocoolers and fill/vent
lines



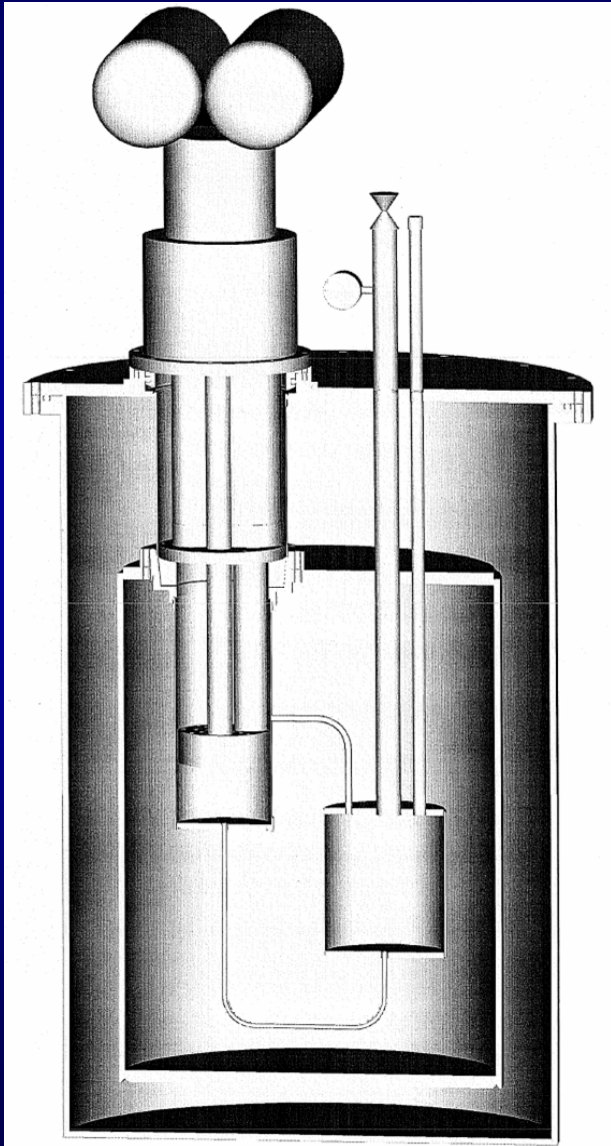
Steve Virostek -- Lawrence Berkeley National Laboratory -- February 11, 2008

MICE Spectrometer Solenoid Fabrication Update and Schedule Status

Page 15



Cryocooler Experiment



Purpose:

- Measure cooler performance @ 2.5-22 K
- Confirm drop-in mode, measure heat leak

Update:

- 1st series of tests completed in November
- Results were not conclusive due to some deficiencies in the test apparatus
- System was modified including addition of a larger liquid He storage vessel
- Tests are resuming now
- Experiment hardware will be available for future testing

Cryocooler Experiment



Steve Virostek -- Lawrence Berkeley National Laboratory -- February 11, 2008

MICE Spectrometer Solenoid Fabrication Update and Schedule Status

Page 17



Magnet #2: Cold Mass Winding Assembly



**2nd magnet to follow
1st by 2 to 3 months**



Steve Virostek -- Lawrence Berkeley National Laboratory -- February 11, 2008

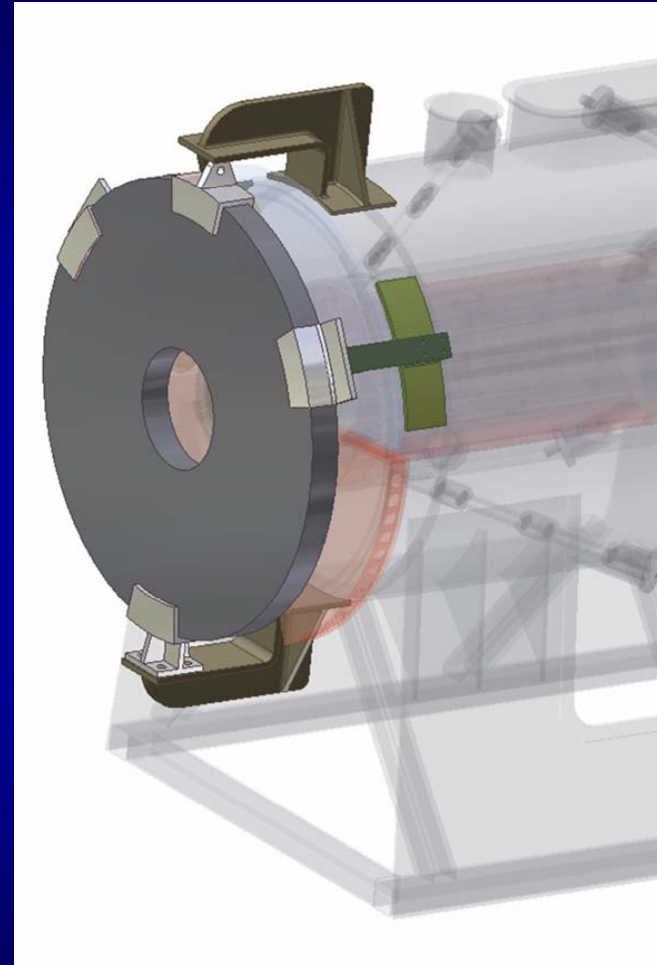
MICE Spectrometer Solenoid Fabrication Update and Schedule Status

Page 18



Spectrometer Solenoid Iron Shields

- Design integrated with TOF shield, and all fabrication drawings are complete
- Two sets of shields needed at FNAL and two sets at RAL
- Awaiting final quote from JK Mfg near FNAL before placing order
- A separate 2nd set of shields @RAL may be req'd (TBD)



Updated Schedule Summary

Task Description	2006												2007												2008										
	Jun	Jul	Aug	Sep	Oct	Nov	Dec	Jan	Feb	Mar	Apr	May	Jun	Jul	Aug	Sep	Oct	Nov	Dec	Jan	Feb	Mar	Apr	May	Jun	Jul	Aug								
Place Magnet Order with Wang NMR (LBNL)	◆ Complete																																		
Complete Magnet System Design & Review				◆ Complete																															
Deliver Superconductor to Wang (LBNL)		◆ Complete																																	
Procure Coil Formers, Leads, Instrumentation, etc.			Complete																																
Wind Coils on Coil Formers								Both magnets complete																											
Deliver 4 ea Cryocoolers to Wang (LBNL)								◆ ◆ ◆ ◆ Complete																											
Buy Power Supplies & Send to Wang (LBNL, UCR)											◆ 4 ea 60 A ◆ 4 ea 300 A																								
Assemble and Leak Check He Shell																Complete				This month															
Fab System & Perform Cryocooler Tests																						2nd tests now													
Fab and Load Test Cold Mass Supports																	Complete																		
Assemble Shield, Vac Vessel, Cold Mass Suppts																																			
Install Hi-Tc Leads, Recondensers & Cryocoolers																																			
Leak Checks, Cooldown & Acceptance Tests																																			
Prepare, Package and Ship Magnets																																			
Magnet Setup at FNAL																																			
Magnetic Measurements & Commissioning at FNAL																																			
Ship Magnets to RAL for Installation																																			



Summary

- 1st magnet expected to be complete this month
- Vendor testing and shipping to FNAL in March
- Completion delayed by cold mass support issue
- Coil winding and banding of 2nd magnet finished
- 2nd series of cryocooler tests to be done soon
- Magnet #2 to follow 2 to 3 months after #1
- Iron shield fabrication awaiting vendor quote

